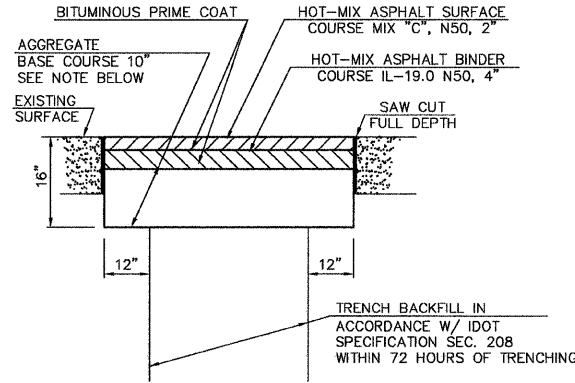


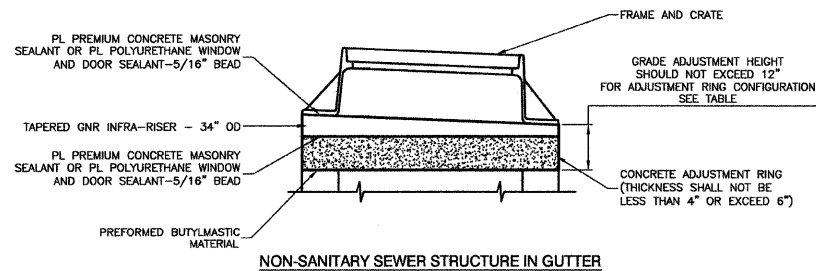
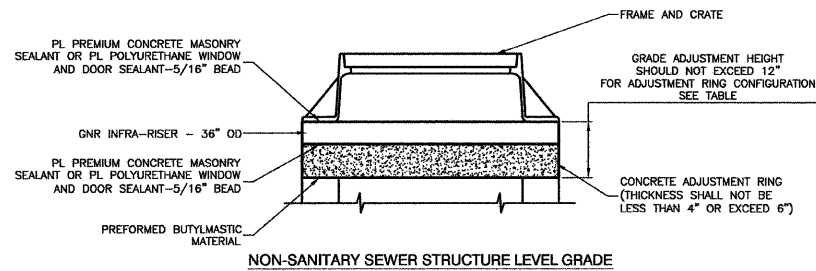
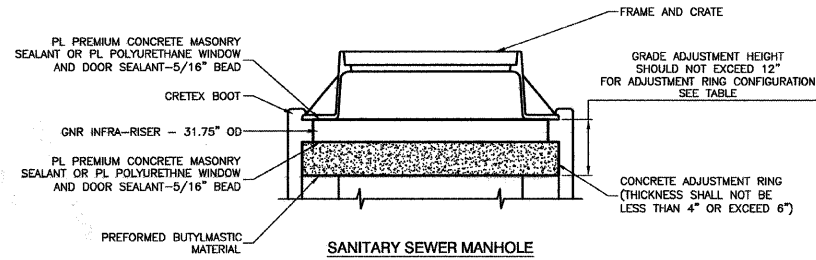
- NOTES:**
- TRENCH SHALL BE IN ACCORDANCE WITH OSHA SAFETY STANDARDS.
 - BEDDING SHALL BE REQUIRED TO BE A MINIMUM THICKNESS EQUAL TO 1/4 OF THE OUTSIDE DIAMETER OF THE PIPE BUT SHALL NOT BE MORE THAN 8" AND LESS THAN 4". AS A MINIMUM, BEDDING AND HAUNCHING MATERIAL SHALL CONFORM TO THE REQUIREMENTS OF THE "STANDARD SPECIFICATIONS FOR ROAD AND BRIDGE CONSTRUCTION." THE GRADATIONS SHALL EITHER BE FA-1 OR FA-2.

TRENCH BACKFILL DETAIL FOR SANITARY SEWER



NOTE:
CONTRACTOR TO PLACE AGGREGATE, 16" THICK TO TOP SURFACE OF EXISTING PAVEMENT TO BE REMOVED AT LOCATIONS SHOWN ON PLANS TO PROVIDE TEMPORARY SURFACING UNTIL PLACEMENT OF PAVEMENT SURFACE. CONTRACTOR TO REMOVE THE 6" OF AGGREGATE PRIOR TO PLACEMENT OF BITUMINOUS SURFACE. PAYMENT TO BE AT THE CONTRACT PRICE PER SQUARE YARD AND WORK SHALL INCLUDE ALL LABOR AND MATERIALS REQUIRED TO RESTORE PAVEMENT AS DETAILED, INCLUDING PLACING AND REMOVING THE ADDITIONAL AGGREGATE REQUIRED FOR TEMPORARY SURFACE.

PAVEMENT PATCHING DETAIL
NOT TO SCALE

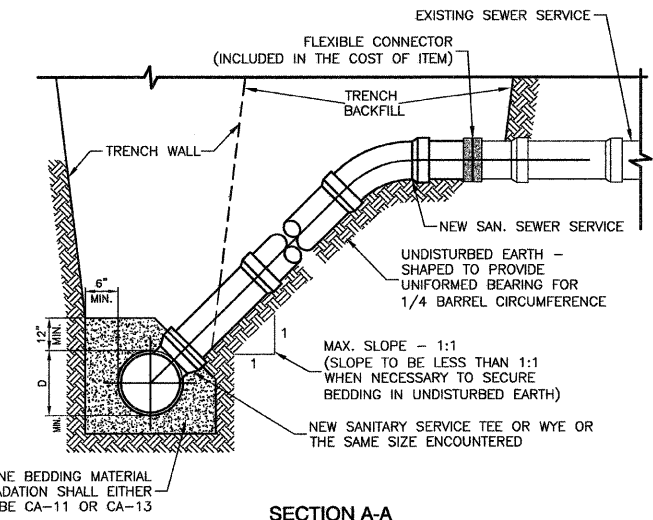
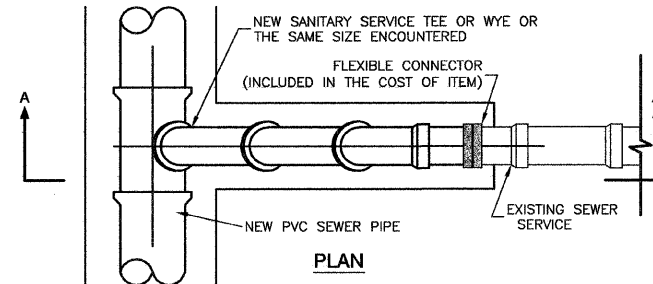


ADJUSTMENT RING DETAIL

ADJUSTMENT RING TABLE

ADJUSTMENT HEIGHT	CONCRETE	RUBBER
0"	-	-
1"	-	1"
2"	-	2"
3"	-	3"
4"	4"	-
5"	4"	1"
6"	4"	2"
7"	4"	3"
8"	4", 4"	-
9"	6"	3"
10"	4", 4"	2"
11"	4", 4"	3"
12"	6", 4"	2"

NOTE:
GRADE ADJUSTMENT HEIGHT SHOULD NOT EXCEED 12"



TYPICAL SANITARY SEWER SERVICE CONNECTION REPLACEMENT

CONSTRUCTION DETAILS

FILE NAME = 10243-DT1S-01 - DETAILS	USER NAME =	DESIGNED - M FURLAN	REVISED -	STATE OF ILLINOIS DEPARTMENT OF TRANSPORTATION	CITY OF LASALLE PROPOSED HIGHWAY PLANS - BUCKLIN AVENUE CONSTRUCTION DETAILS	F.A.U. RTE.	SECTION	COUNTY	TOTAL SHEETS	SHEET NO.	
	PLOT SCALE =	CHECKED - M FURLAN	REVISED -			6106	08-0076-00-RP	LASALLE	10	10	
	PLOT DATE = 4-2-2010	DRAWN - JJB/JFA	REVISED -			CONTRACT NO. 87395					
		CHECKED - BDB	REVISED -			FED. ROAD DIST. NO. 3 ILLINOIS FED. AID PROJECT M-5036(023)					