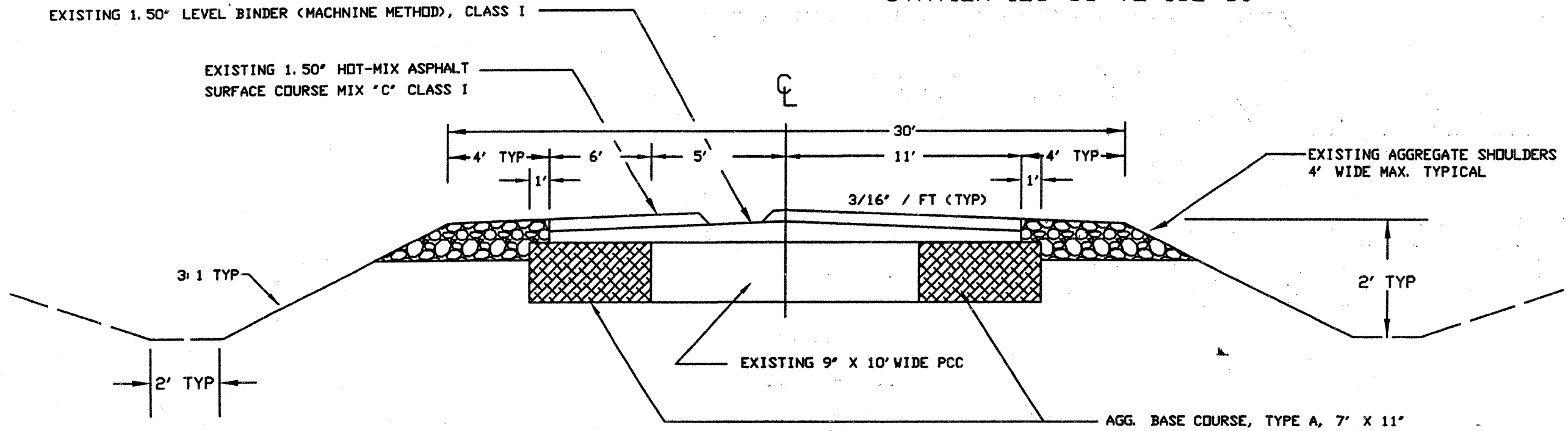


ROUTE NO.	SECTION	COUNTY	TOTAL SHEETS	SHEET NO.
FAS 1322	08-00091-01-RS	IRROQUOIS	9	5
JOB # C-93-049-10			PROJECT	RS-1322 (125)
CONTRACT 87444				

EXISTING TYPICAL SECTION

STATION 49+54 TO 128+36
STATION 128+66 TO 182+50



PROPOSED TYPICAL SECTION

STATION 49+54 TO 128+36
STATION 128+66 TO 182+50

