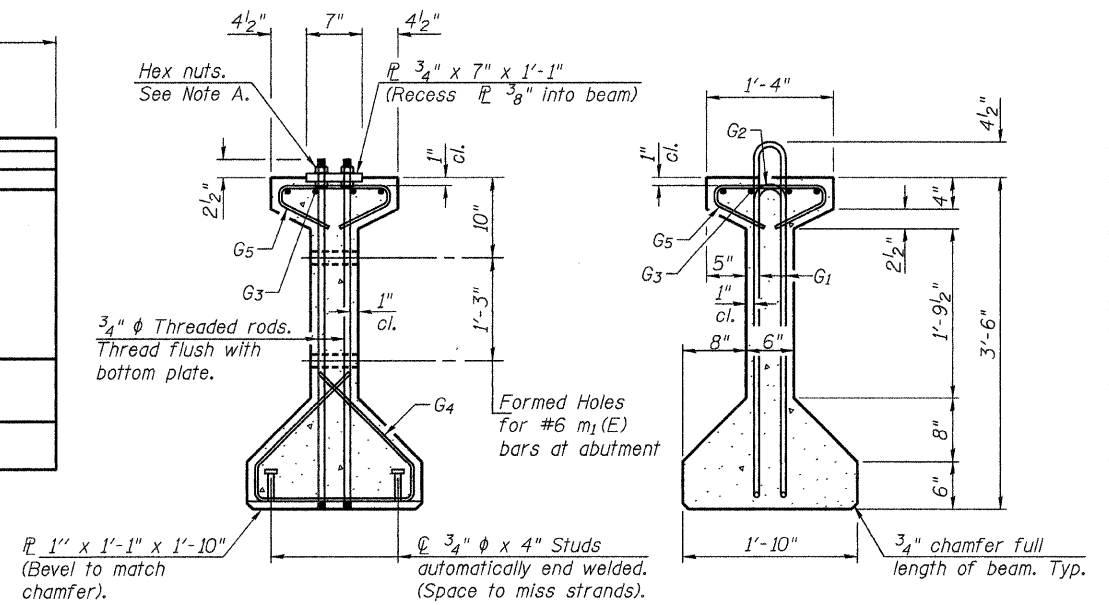


**ELEVATION OF BEAM**  
(Showing reinforcement & dimensions)

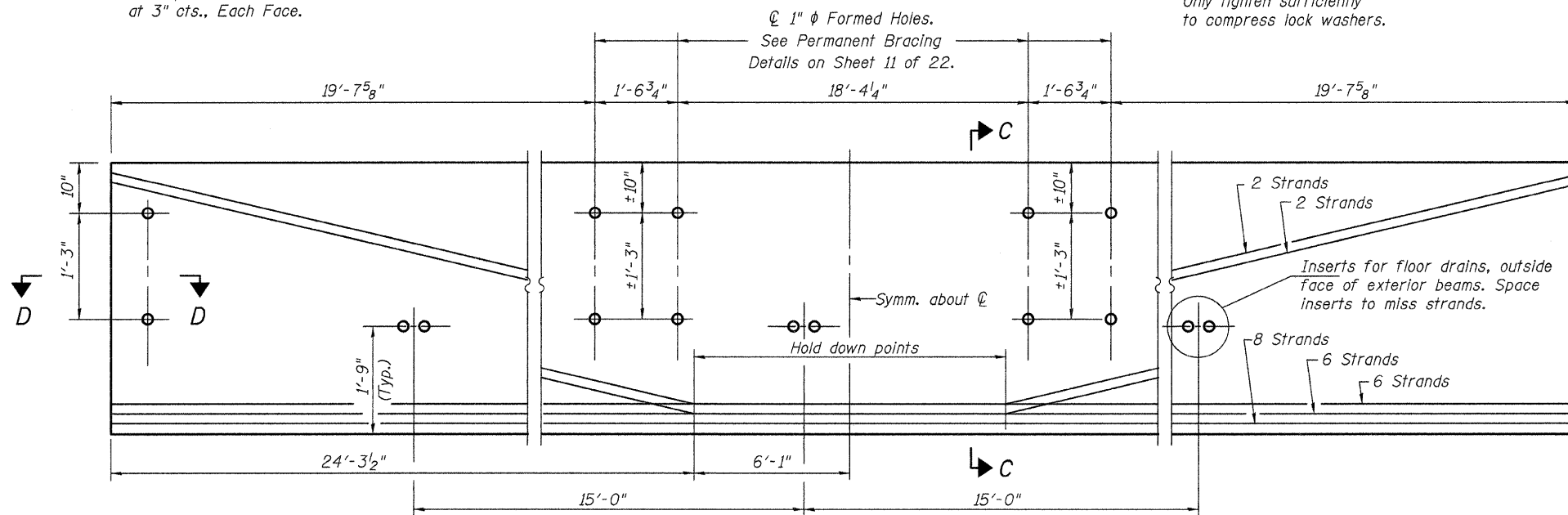
\*3 spaces at 3" = 9".  
\*\*4-3/4" φ threaded dowel rods at 3" cts., Each Face.

Note A:  
Hex nuts (top and bottom) with lock washers (top). Only tighten sufficiently to compress lock washers.

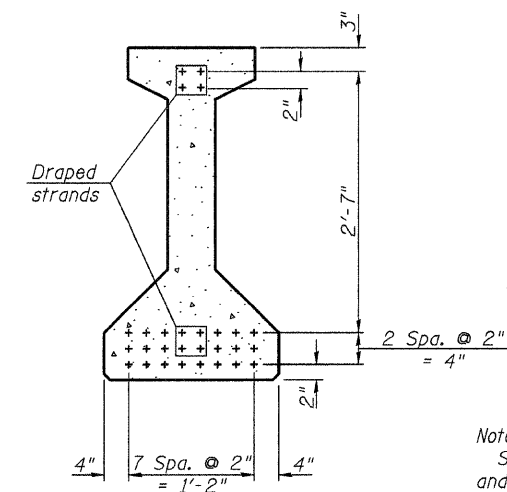


**SECTION A-A**

**SECTION B-B**



**ELEVATION OF BEAM**  
(Showing prestressing steel)



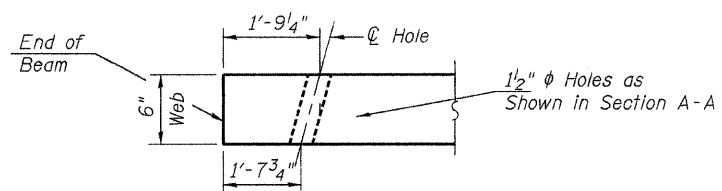
**SECTION C-C**

**\*\*\*BAR LIST  
ONE BEAM ONLY**

Bar	No.	Size	Length	Shape
G <sub>1</sub>	102	#4	8'-5"	∩L
G <sub>2</sub>	10	#4	6'-8"	∩
G <sub>3</sub>	8	#6	31'-7"	—
G <sub>4</sub>	38	#3	4'-11"	∩
G <sub>5</sub>	61	#3	2'-6"	∩

\*\*\*For information only

Notes:  
See sheet 13 of 22 for additional details and Bill of Material.  
Required release strength, f'ci, shall be 5,000 psi.



**SECTION D-D**

**42" PPC I-BEAM**

SHEET NO. 12	RTE.	SECTION	COUNTY	TOTAL SHEETS	SHEET NO.
	CH 25	09-00658-00-BR	LASALLE	39	19
22 SHEETS	SN 050-3598		CONTRACT NO. 87451		
FED. ROAD DIST. NO. 7 ILLINOIS		FED. AID PROJECT BRS-0271(103)			