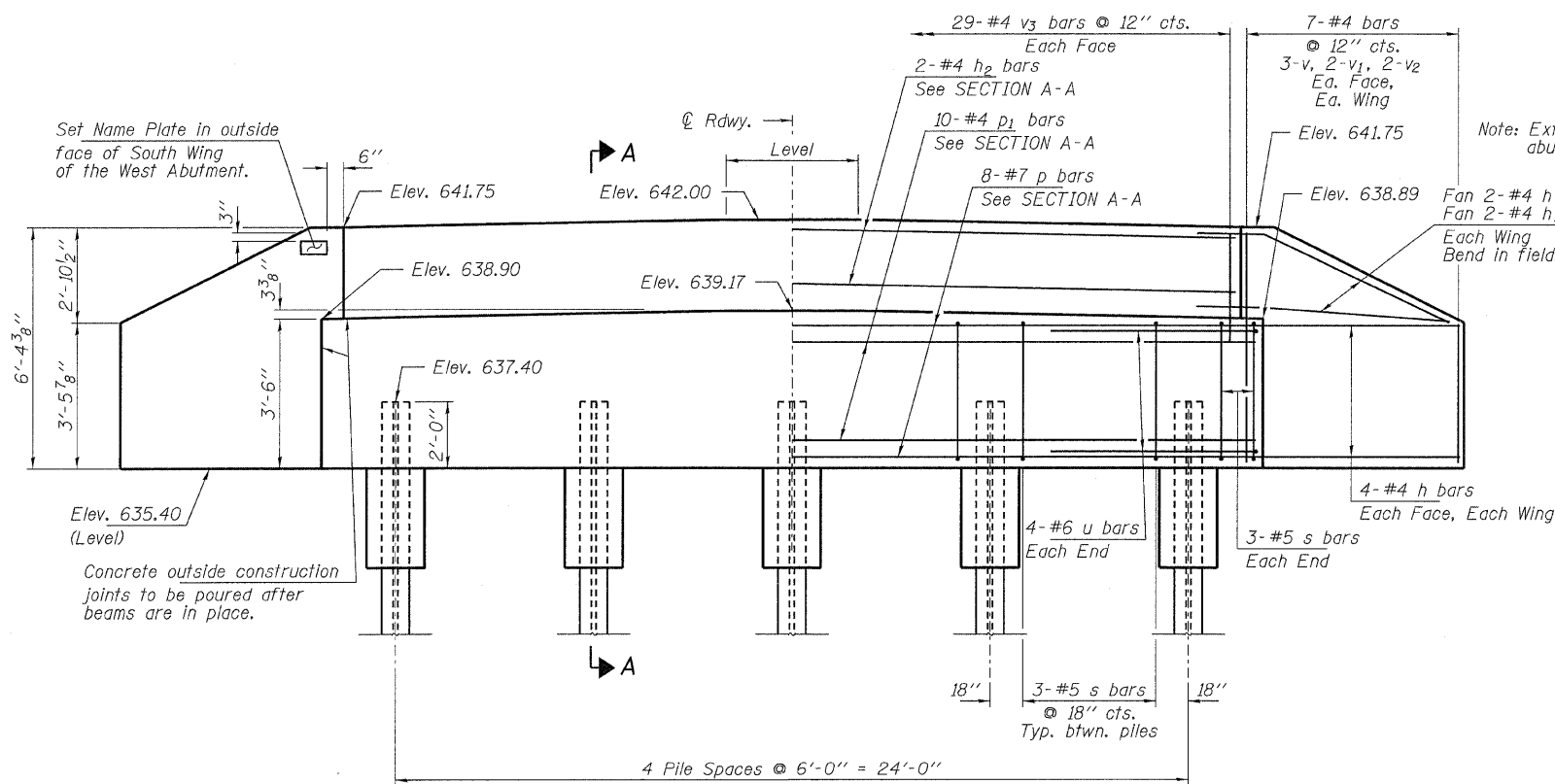
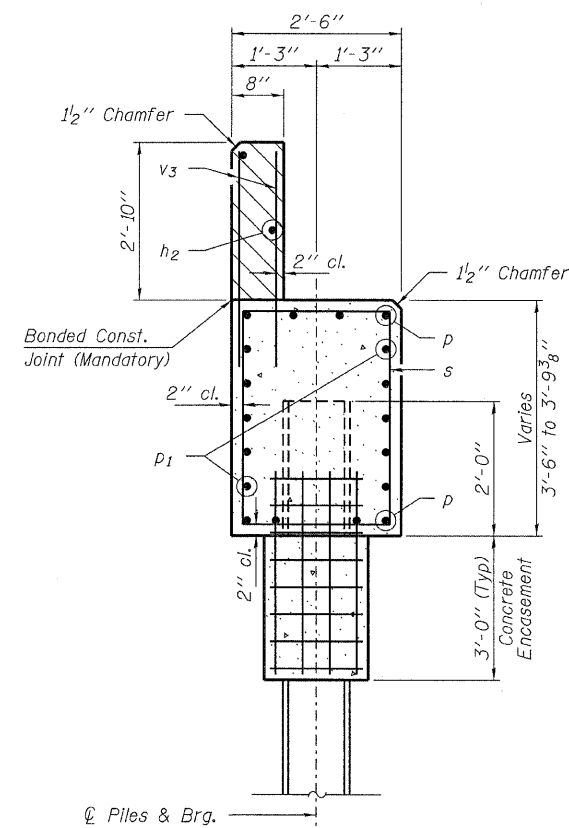


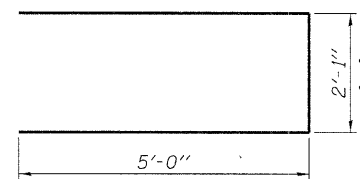
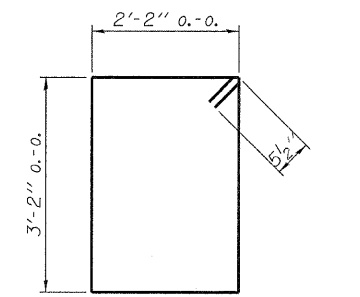
PLAN



ELEVATION



SECTION A-A



BILL OF MATERIAL - 2 ABUTS.

BAR	NO.	SIZE	LENGTH	SHAPE
h	40	#4	8'-0"	—
h <sub>1</sub>	8	#4	6'-6"	—
h <sub>2</sub>	4	#4	29'-2"	—
p	16	#7	29'-2"	—
p <sub>1</sub>	20	#4	29'-2"	—
s	36	#5	11'-7"	□
u	16	#6	12'-1"	—
v	24	#4	5'-3"	—
v <sub>1</sub>	16	#4	4'-3"	—
v <sub>2</sub>	16	#4	3'-3"	—
v <sub>3</sub>	116	#4	3'-8"	—
Concrete Structures			Cu. Yd.	28.4
Concrete Encasement			Cu. Yd.	3.4
Reinforcement Bars, Epoxy Coated			Pound	2,840
Steel Piles HP12x53			Foot	405
Test Pile Steel HP12x53			Each	1
Name Plates			Each	1

All bars shall be Epoxy Coated.

PILE DATA

Type Steel HP12x53  
 No. Req'd. (2 Abutments) \*10  
 Factored Resistance Available (R<sub>f</sub>) 185 Kips/Pile  
 Nominal Required Bearing (R<sub>n</sub>) 370 Kips/Pile  
 Est. Length 45 Ft/Pile

Notes: \*Includes one test pile to be driven in permanent location at the West Abutment.

The Steel H-Piles shall be according to AASHTO M270 Grade 50.

The test piles shall be driven to 110 percent of the Nominal Required Bearing indicated in the pile data information.

DESIGNED	M.G.B.
CHECKED	S.W.M.
DRAWN	D.A.B.
CHECKED	S.W.M.

HAMPTON, LENZINI AND RENWICK, INC.  
 CIVIL ENGINEERS - STRUCTURAL ENGINEERS - LAND SURVEYORS  
 3085 STEVENSON DRIVE, SUITE 201  
 SPRINGFIELD, ILLINOIS 62703  
 217.546.3400 www.hirengineering.com

184.000959  
 ILLINOIS PROFESSIONAL DESIGN FIRM LS / PE / SE CORPORATION

PROJECT NUMBER: 09.0126.130 DATE: 03/25/10

T.R.	SECTION	COUNTY	TOTAL SHEETS	SHEET NO.
119	09-24104-01-BR	LIVINGSTON	20	17
ROOKS CREEK ROAD DISTRICT		CONTRACT NO. 87453		
FED. ROAD DIST. NO.		ILLINOIS FED. AID PROJECT BROS-0105(049)		

ABUTMENTS  
 STRUCTURE NO. 053-4199