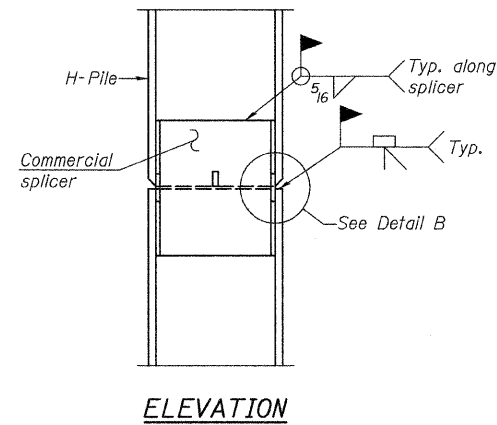


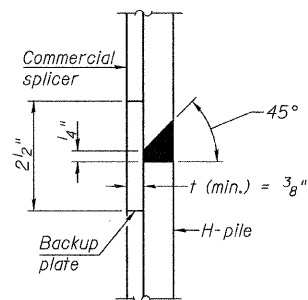
STEEL PILE TABLE

Designation	Depth d	Flange width b _f	Web and Flange thickness t	Encasement diameter
HP 14x117	14 1/4"	14 7/8"	13/16"	30"
x102	14"	14 3/4"	1/16"	30"
x89	13 7/8"	14 3/4"	5/8"	30"
x73	13 5/8"	14 5/8"	1/2"	30"
HP 12x84	12 1/4"	12 1/4"	1/16"	24"
x74	12 1/8"	12 1/4"	5/8"	24"
x63	12"	12 1/8"	1/2"	24"
x53	11 3/4"	12"	7/16"	24"
HP 10x57	10"	10 1/4"	9/16"	24"
x42	9 3/4"	10 1/8"	7/16"	24"
HP 8x36	8"	8 1/8"	7/16"	18"

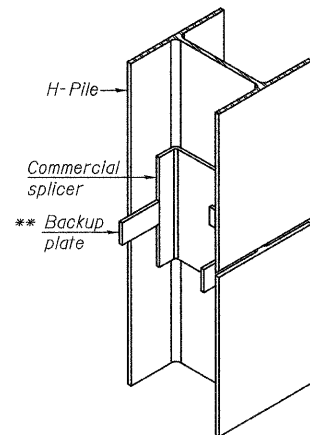
Note:
The steel H-piles shall be according to AASHTO M270 Grade 50.



ELEVATION

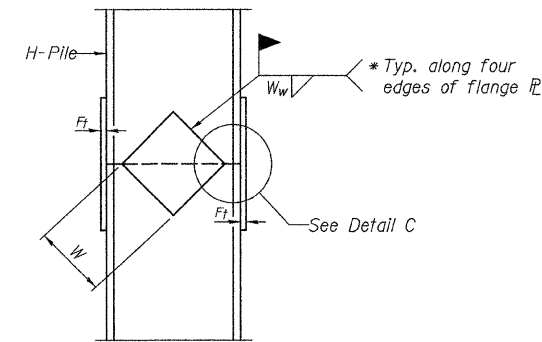


DETAIL "B"

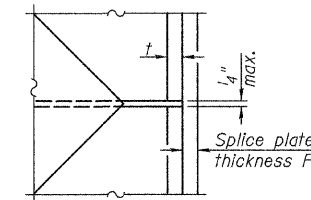


ISOMETRIC VIEW

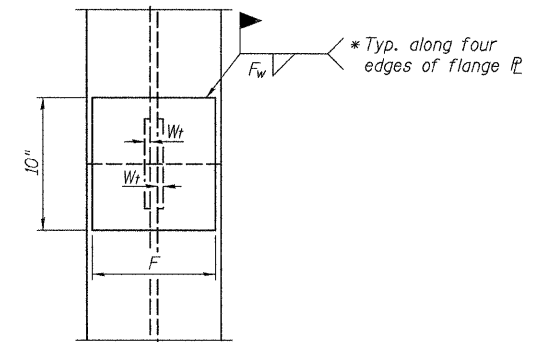
WELDED COMMERCIAL SPLICE



ELEVATION

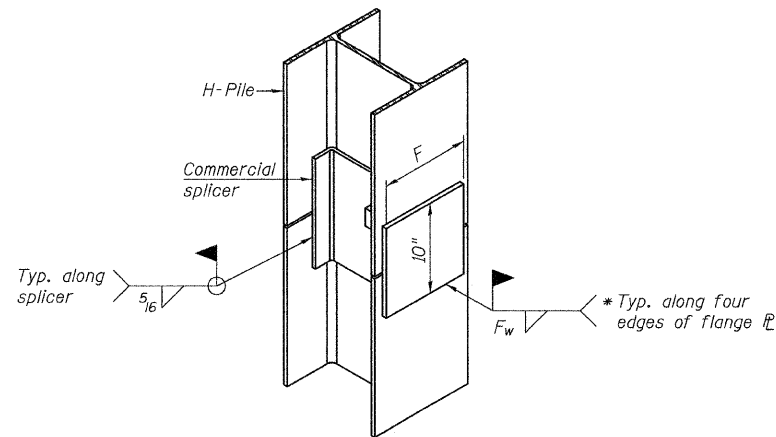


DETAIL C



END VIEW

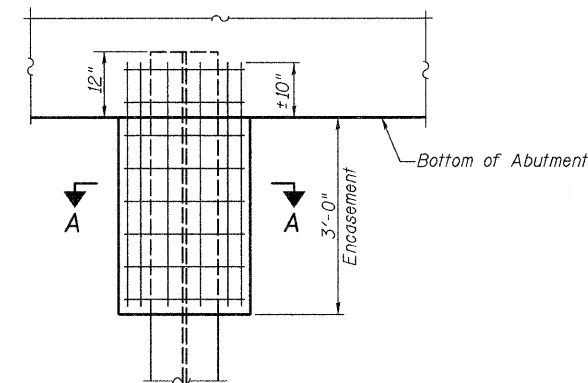
Designation	F	F _t	F _w	W	W _t	W _w
HP 14x117	12 1/2"	1"	7/8"	7 3/4"	5 8/8"	1 1/2"
x102	12 1/2"	7/8"	3/4"	7 3/4"	5 8/8"	1 1/2"
x89	12 1/2"	3/4"	1/16"	7 3/4"	5 8/8"	1 1/2"
x73	12 1/2"	5/8"	9/16"	7 3/4"	5 8/8"	1 1/2"
HP 12x84	10"	7/8"	1/16"	6 1/2"	5 8/8"	1 1/2"
x74	10"	7/8"	1/16"	6 1/2"	5 8/8"	1 1/2"
x63	10"	5/8"	1/2"	6 1/2"	1 1/2"	3/8"
x53	10"	5/8"	1/2"	6 1/2"	1 1/2"	3/8"
HP 10x57	8"	3/4"	9/16"	5 1/4"	1 1/2"	3/8"
x42	8"	5/8"	9/16"	5 1/4"	1 1/2"	3/8"
HP 8x36	7"	5/8"	7/16"	4 1/4"	1 1/2"	3/8"



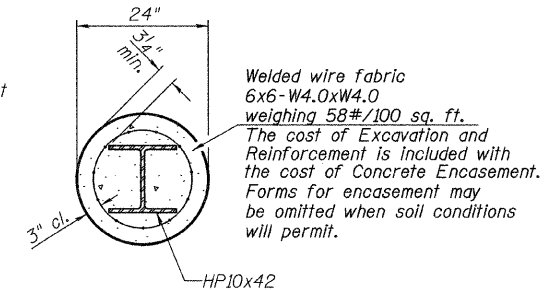
ISOMETRIC VIEW

WELDED COMMERCIAL SPLICE ALTERNATE

- * Interrupt welds 1/4" from end of web and/or each flange.
- ** Remove portions of backup plates that extend outside the flanges.



ABUTMENT ELEVATION



SECTION A-A

PILE ENCASEMENT

PILE DETAILS
IROQUOIS COUNTY
SECTION 02-01122-00-BR
T.R. 14A OVER LOUIS CREEK

SHEET NO. 7 9 SHEETS	ROUTE NO.	SECTION	COUNTY	TOTAL SHEETS	SHEET NO.
	TR 14A	02-01122-00-BR	IROQUOIS	22	13
	S.N. 038-3062			CONTRACT NO. 87460	
FED. ROAD DIST. NO. 7 ILLINOIS			FED. AID PROJECT BROS-0075(138)		