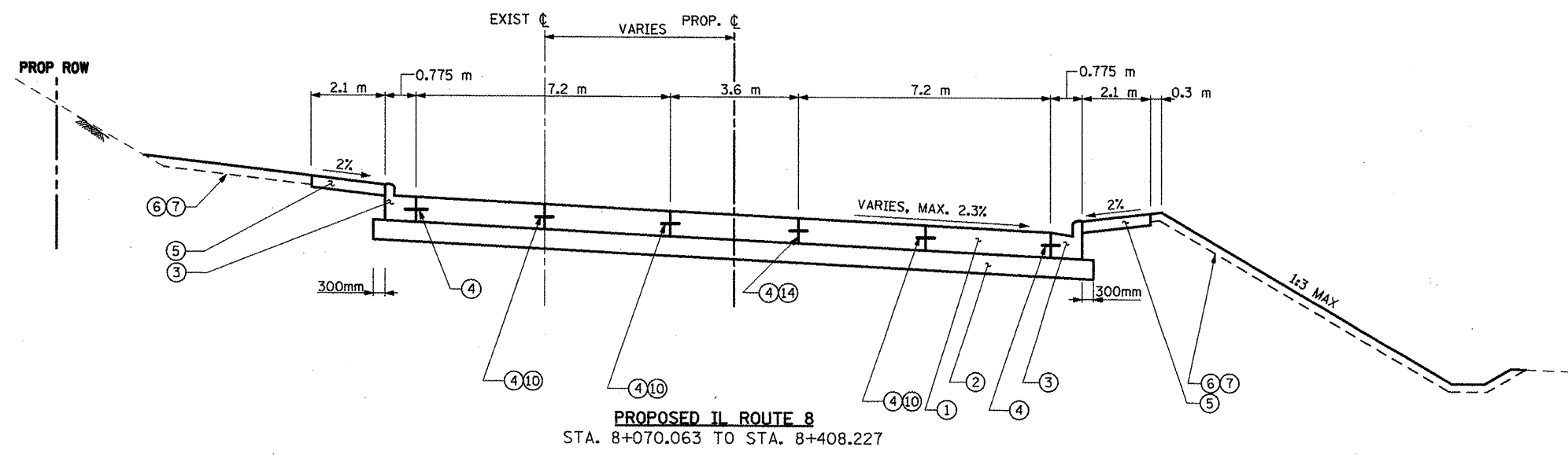
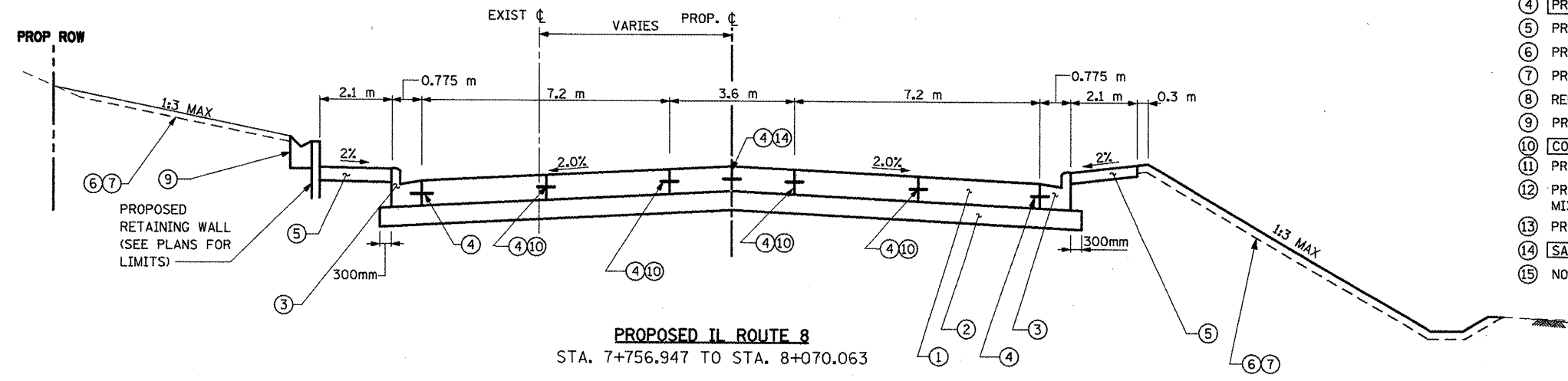
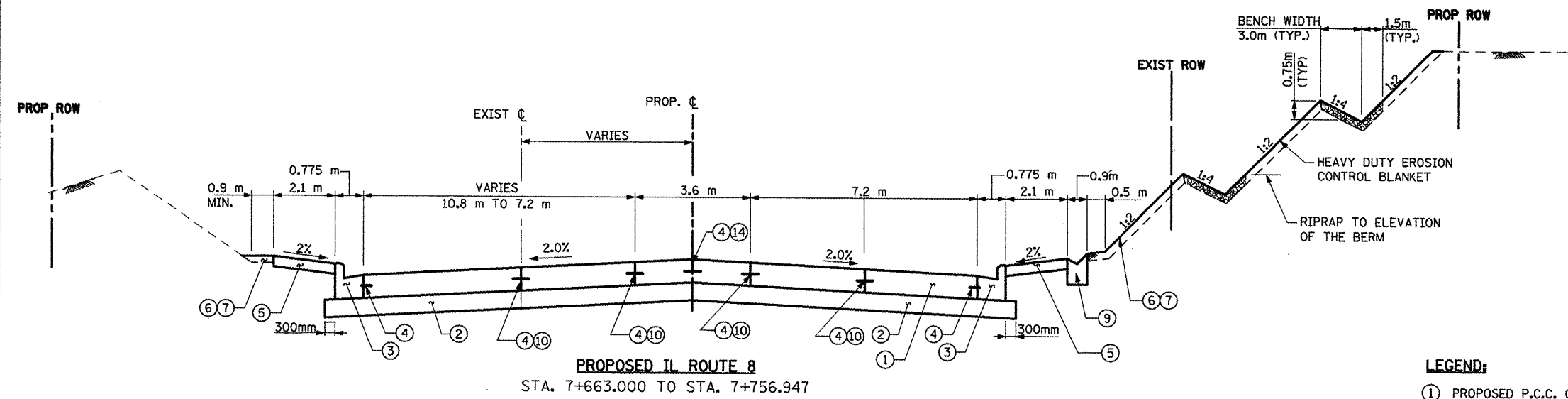


F.A.P. RTE.	SECTION	COUNTY	TOTAL SHEETS	SHEET NO.
399	36R-1,37R-2	TAZEWELL	449	38
STA 7+663.000		TO STA 10+097.000		
FED. ROAD DIST. NO. 4		ILLINOIS FED. AID PROJECT		



LEGEND:

- ① PROPOSED P.C.C. CONCRETE PAVEMENT, 250 MM (JOINTED)
- ② PROPOSED SUBBASE GRANULAR MATERIAL, TYPE A, 300 MM
- ③ PROPOSED COMBINATION CONCRETE CURB AND GUTTER, TYPE B-15.60
- ④ PROPOSED TIE BAR (NO 20 @ 600mm)
- ⑤ PROPOSED CONCRETE SIDEWALK, 100 MM
- ⑥ PROPOSED FURNISHING AND PLACING TOPSOIL, 100 MM
- ⑦ PROPOSED SOD, SALT TOLERANT OR SEEDING CLASS 2A
- ⑧ REMOVAL AND DISPOSAL OF UNSUITABLE MATERIALS
- ⑨ PROPOSED CONCRETE GUTTER TYPE A (MODIFIED)
- ⑩ CONSTRUCTION JOINT
- ⑪ PROPOSED HOT-MIX-ASPHALT BASE COURSE, 200 mm
- ⑫ PROPOSED POLYMERIZED HOT-MIX-ASPHALT SURFACE COURSE, MIXTURE "D", N50, 40 mm
- ⑬ PROPOSED POLYMERIZED BITUMINOUS MATERIALS (PRIME COAT)
- ⑭ SAWED JOINT
- ⑮ NOT USED

NOTE:
SUBBASE GRANULAR MATERIAL, TYPE A IN EXCESS OF 300mm UNDER PROPOSED CONCRETE CURB AND GUTTER SHALL NOT BE PAID FOR SEPARATELY BUT SHALL BE INCLUDED IN THE COST OF SUBBASE GRANULAR MATERIAL, TYPE A, 300mm.

REVISIONS	
NAME	DATE
LCE	12/14/09

ILLINOIS DEPARTMENT OF TRANSPORTATION
ILLINOIS ROUTE 8 - SEGMENT 2
PROPOSED TYPICAL SECTIONS

SCALE: N.T.S. DRAWN BY: RLK
DATE: DECEMBER, 2003 CHECKED BY: YPG