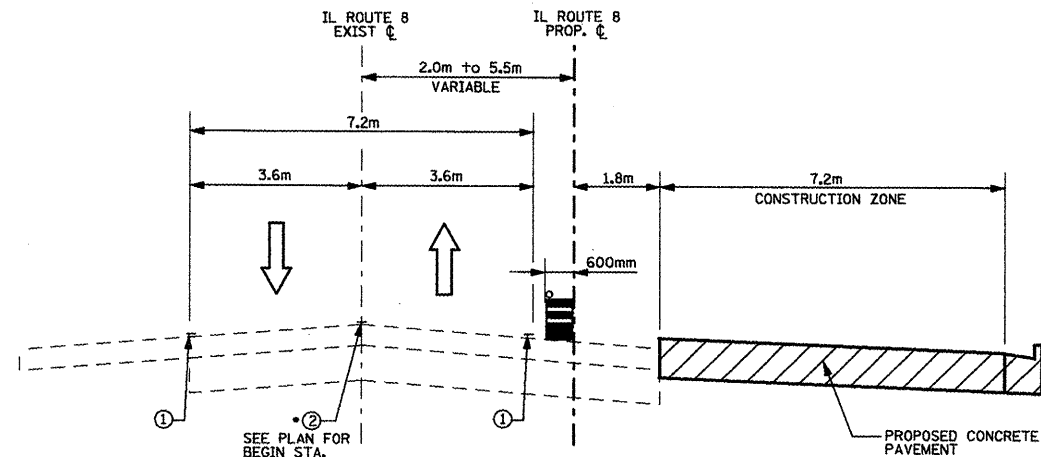
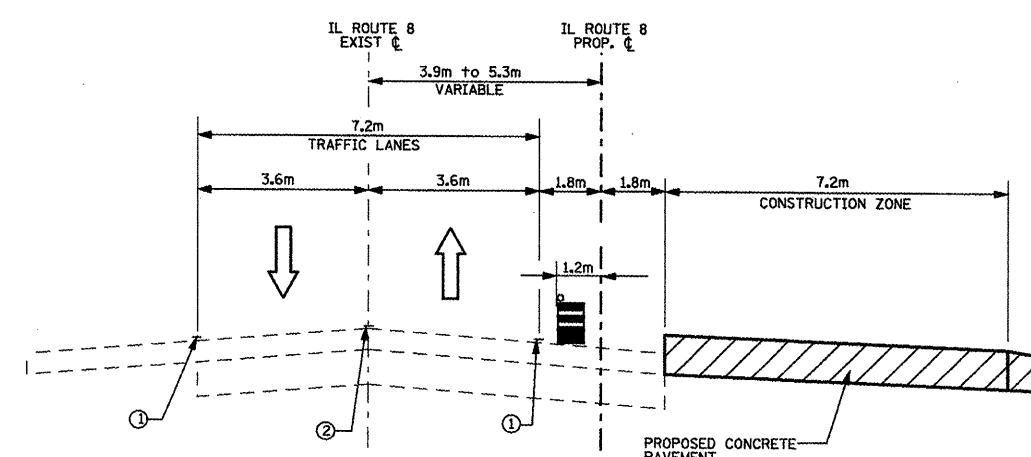


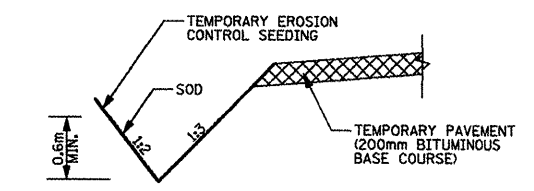
F.A.P. RTE.	SECTION	COUNTY	TOTAL SHEETS	SHEET NO.
399	36R-1.37R-2	TAZEWELL	449	45
STA 7+663.000		TO STA 10+097.000		
FED. ROAD DIST. NO. 4 ILLINOIS FED. AID PROJECT				



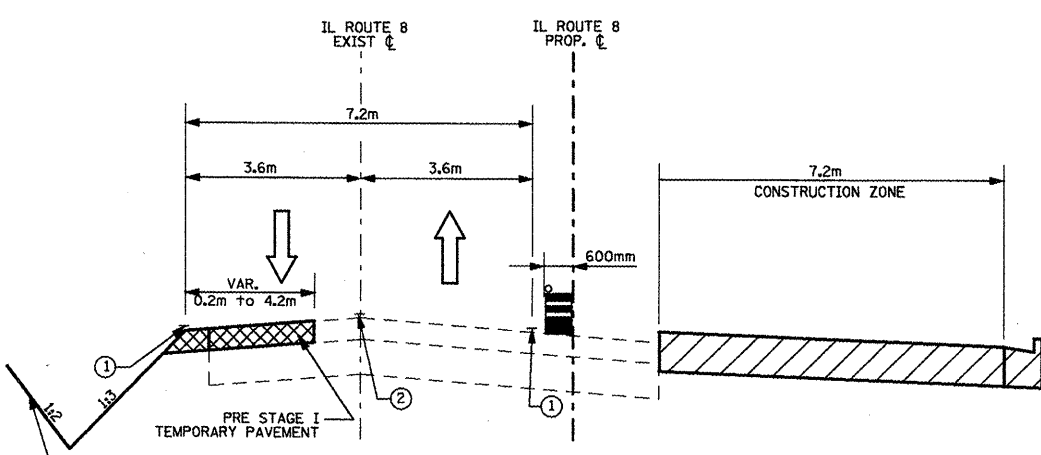
STAGE I
(STA. 7+663 TO 8+125)



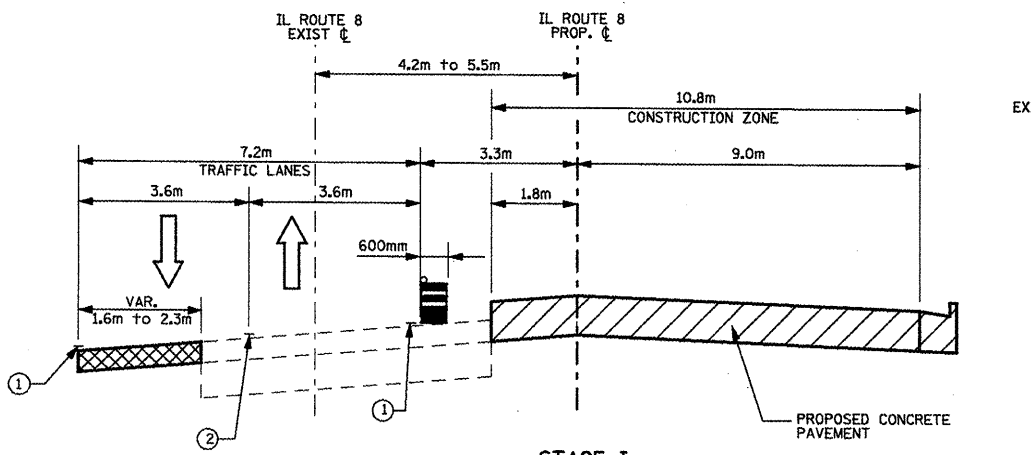
STAGE I
(STA. 8+800 TO 9+030)



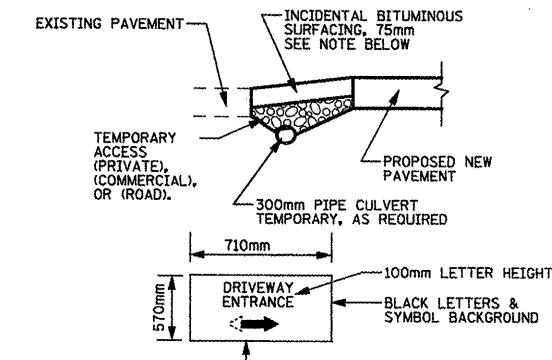
DITCH DETAIL
GRADING AND SHAPING OF DITCHES



STAGE I
(STA. 8+125 TO 8+275)

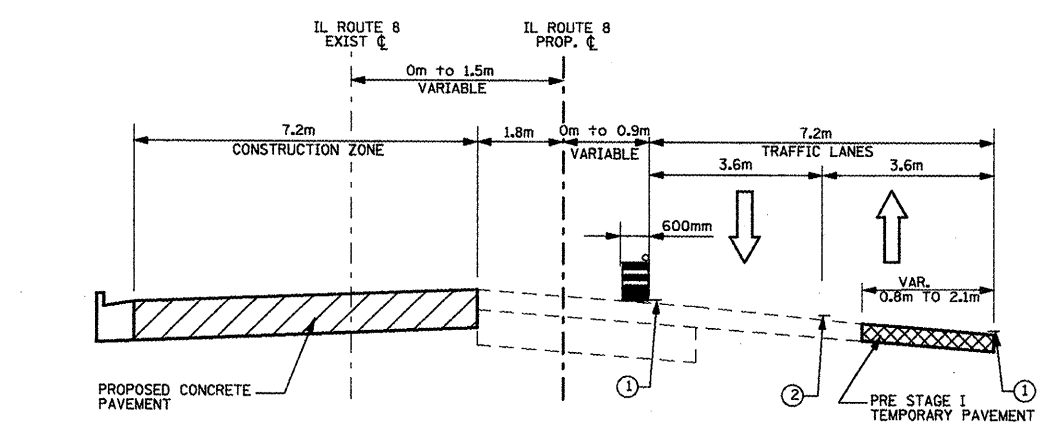


STAGE I
(STA. 9+065 TO 9+389)

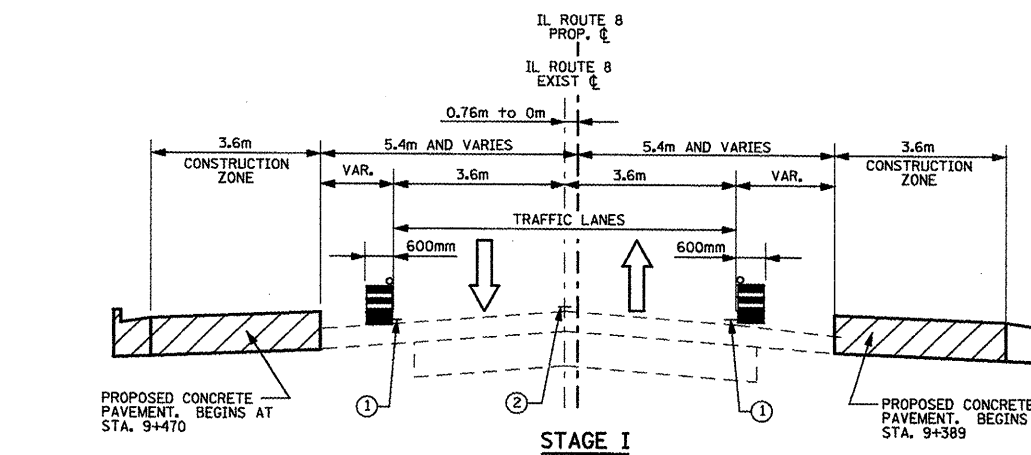


TEMPORARY ACCESS TO DRIVES AND SIDE STREETS

SIDE STREETS AND PUBLICS WORKS DRIVEWAYS SHALL HAVE BITUMINOUS SURFACE, AS SHOWN. OTHER ENTRANCES SHALL HAVE AGGREGATE SURFACE. THIS SHALL BE DONE AT THE DIRECTION OF THE ENGINEER.



STAGE I
(STA. 8+380 TO 8+700)



STAGE I
(STA. 9+470 TO 9+899.166)

- LEGEND**
- PROPOSED CONSTRUCTION DURING STAGE
 - CONSTRUCTION FROM PREVIOUS STAGE
 - PRE STAGE I TEMPORARY PAVEMENT
 - TYPE II BARRICADE OR DRUMS
 - TEMPORARY PAVEMENT MARKING LINE - 100MM WHITE
 - TEMPORARY PAVEMENT MARKING LINE - 100MM DOUBLE YELLOW

- NOTES:**
- 1) TYPICAL SECTIONS REFLECT APPROXIMATE LIMITS FOR EXISTING TRAFFIC AND CONSTRUCTION ZONE RELATIONSHIPS ONLY. SEE M.O.T. PLANS AND NOTES FOR ADDITIONAL DETAILS.
 - 2) GAPS IN STATIONING REFLECT TRANSITION AREAS OR LANE SHIFTS. SEE M.O.T. PLANS FOR ADDITIONAL DETAILS.

REVISIONS		ILLINOIS DEPARTMENT OF TRANSPORTATION
NAME	DATE	
LCE	1/5/10	ILLINOIS ROUTE 8 - SEGMENT 2 MAINTENANCE OF TRAFFIC TYPICAL SECTIONS STAGE I SCALE: NTS DATE: DECEMBER, 2003

DRAWN BY: ROT
CHECKED BY: YPG