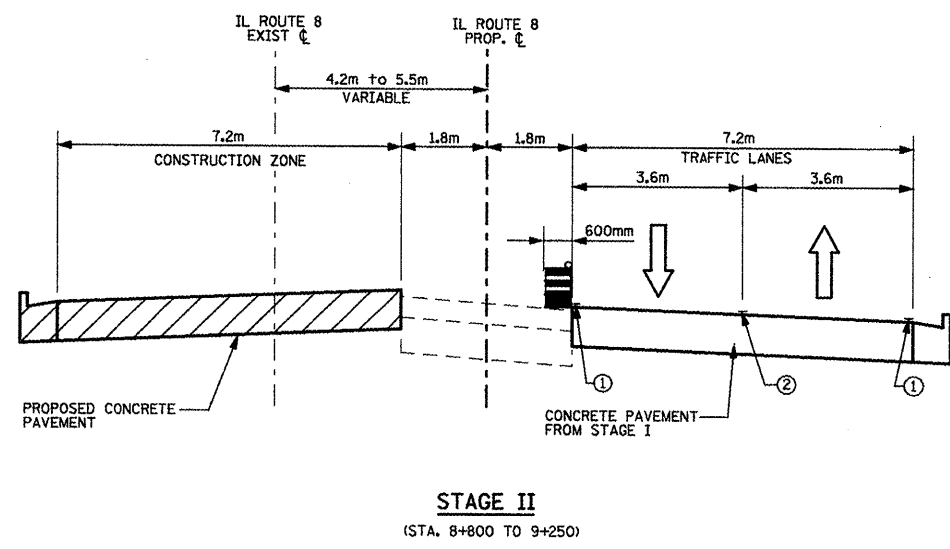
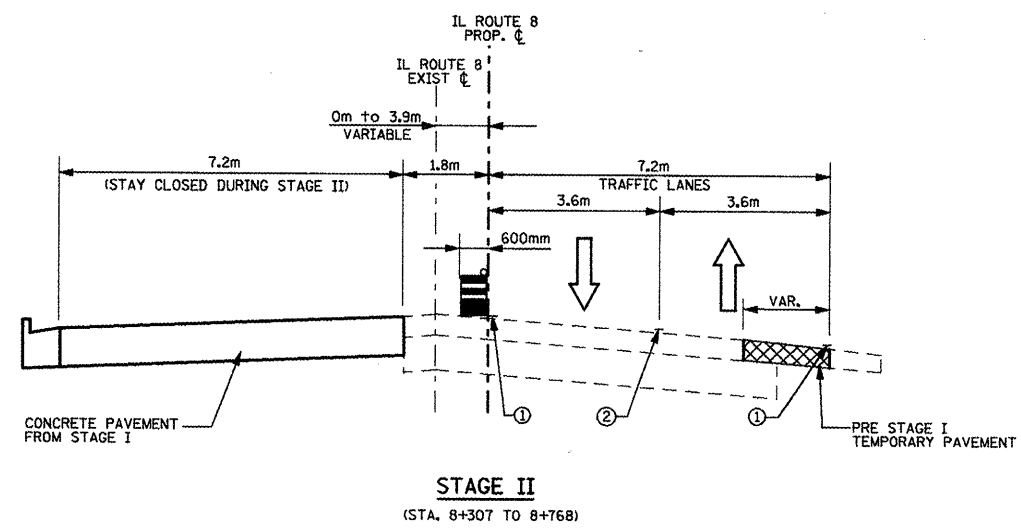
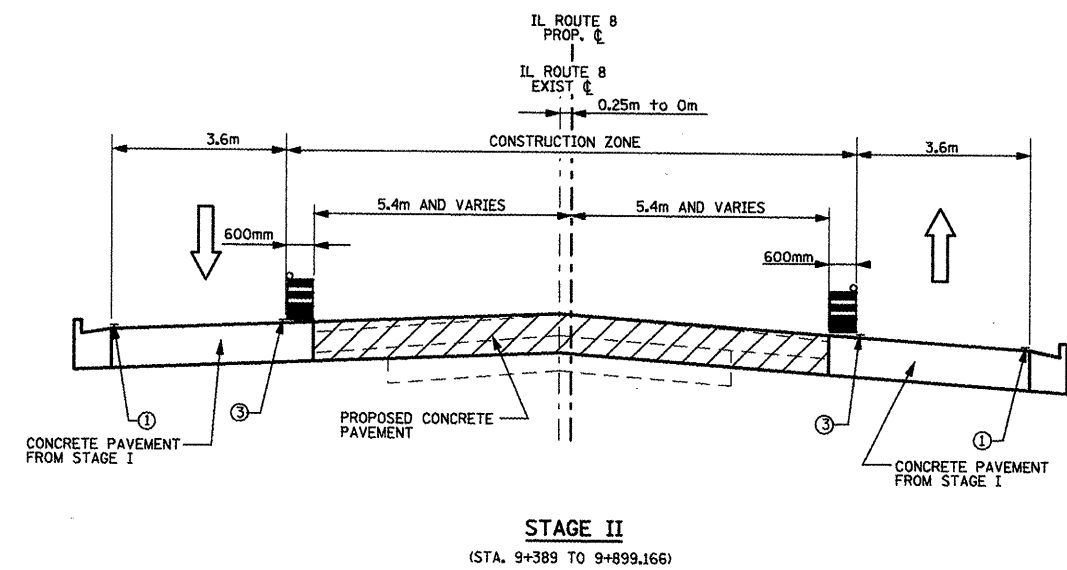
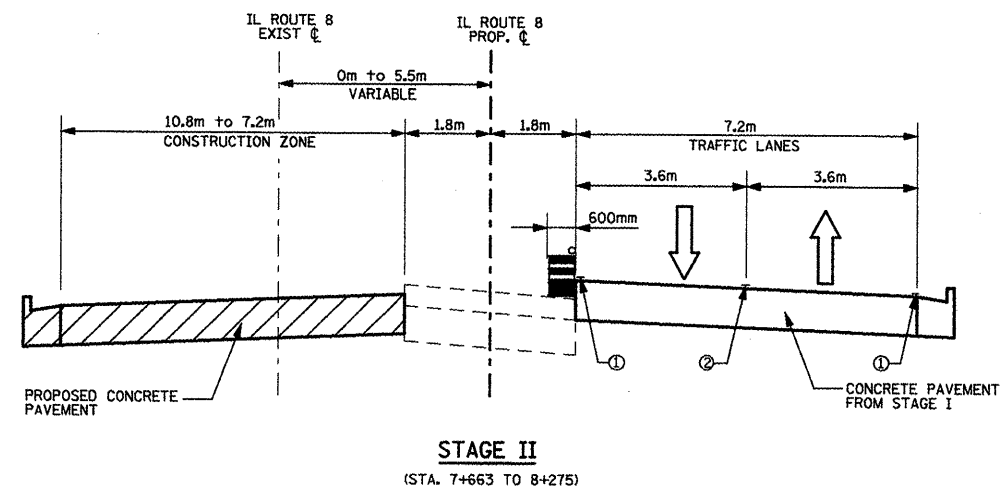


F.A.P. RTE.	SECTION	COUNTY	TOTAL SHEETS	SHEET NO.
399	36R-1,37R-2	TAZEWELL	449	47
STA 7+663.000		TO STA 10+097.000		
FED. ROAD DIST. NO. 4		ILLINOIS FED. AID PROJECT		



**NOTES:**

- 1) TYPICAL SECTIONS REFLECT APPROXIMATE LIMITS FOR EXISTING TRAFFIC AND CONSTRUCTION ZONE RELATIONSHIPS ONLY. SEE M.O.T. PLANS AND NOTES FOR ADDITIONAL DETAILS.
- 2) GAPS IN STATIONING REFLECT TRANSITION AREAS OR LANE SHIFTS. SEE M.O.T. PLANS FOR ADDITIONAL DETAILS.
- 3) IN IIA STAGE WEST BOUND TRAFFIC FROM 9+350 TO 9+530 IS UTILIZE ON NORTH SIDE OF ROADWAY TO ALLOWS CONSTRUCTION OF CENTER LANES. TRANSITION TO SOUTH SIDE (STA. 9+230 TO 9+350) IS PER HIGHWAY STANDARD 701602 OR AS SHOWN IN THE MOT PLANS.
- 4) WEST BOUND TRAFFIC IN STAGE IIB FROM 9+230 TO 9+450 IS ON THE SOUTH SIDE OF ROADWAY. DURING THIS STAGE WEST BOUND LANES SHALL BE CONSTRUCTED. TRANSITION FROM NORTH SIDE 9+450 TO 9+530 IS AS SHOWN IN THE MOT PLANS.

**LEGEND**

- PROPOSED CONSTRUCTION DURING STAGE
- CONSTRUCTION FROM PREVIOUS STAGE
- PRE STAGE I TEMPORARY PAVEMENT
- TYPE II BARRICADE OR DRUM
- ① TEMPORARY PAVEMENT MARKING, LINE - 100MM WHITE
- ② TEMPORARY PAVEMENT MARKING, LINE - 100MM DOUBLE YELLOW
- ③ TEMPORARY PAVEMENT MARKING, LINE - 100MM YELLOW

REVISIONS	
NAME	DATE
LCE	1/5/10

ILLINOIS DEPARTMENT OF TRANSPORTATION  
 ILLINOIS ROUTE 8 - SEGMENT 2  
 MAINTENANCE OF TRAFFIC  
 TYPICAL SECTIONS  
 STAGE II

SCALE: NTS  
 DATE: DECEMBER, 2003

DRAWN BY: RLK  
 CHECKED BY: YPG