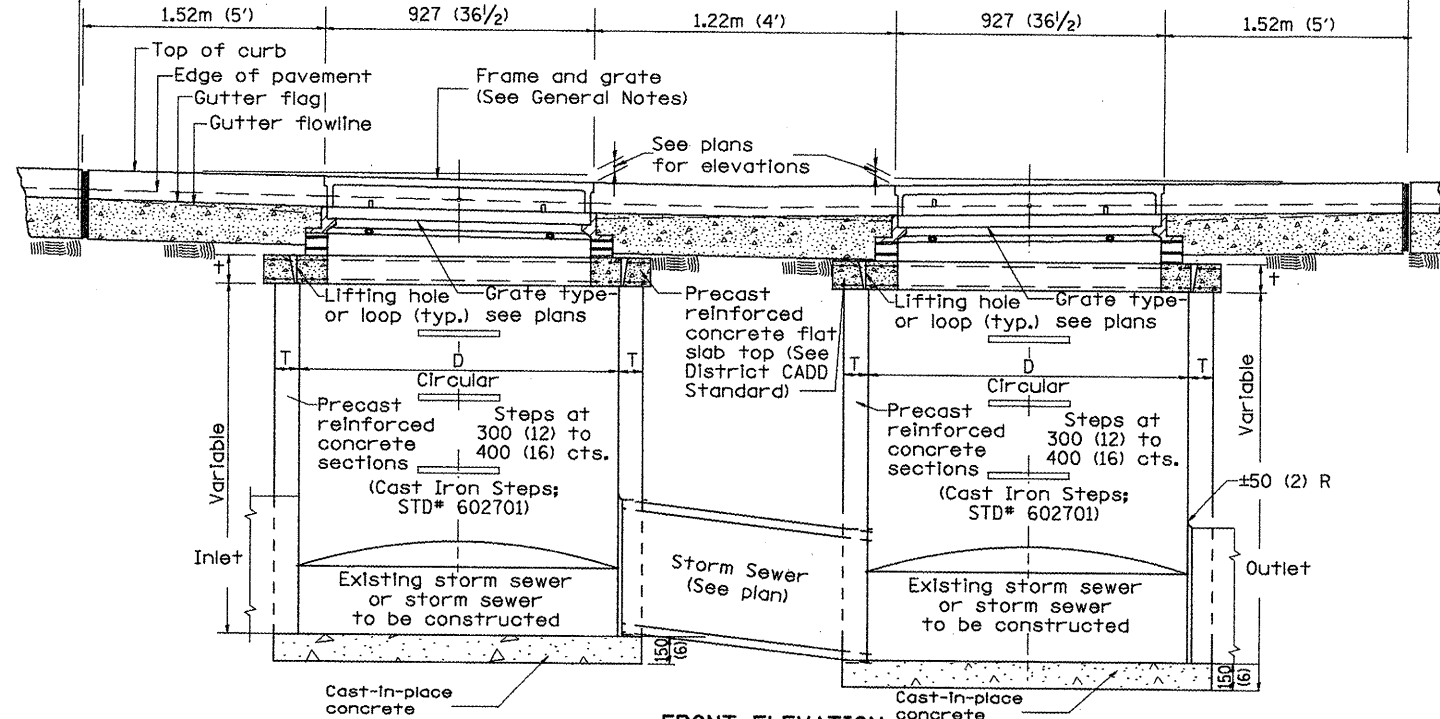
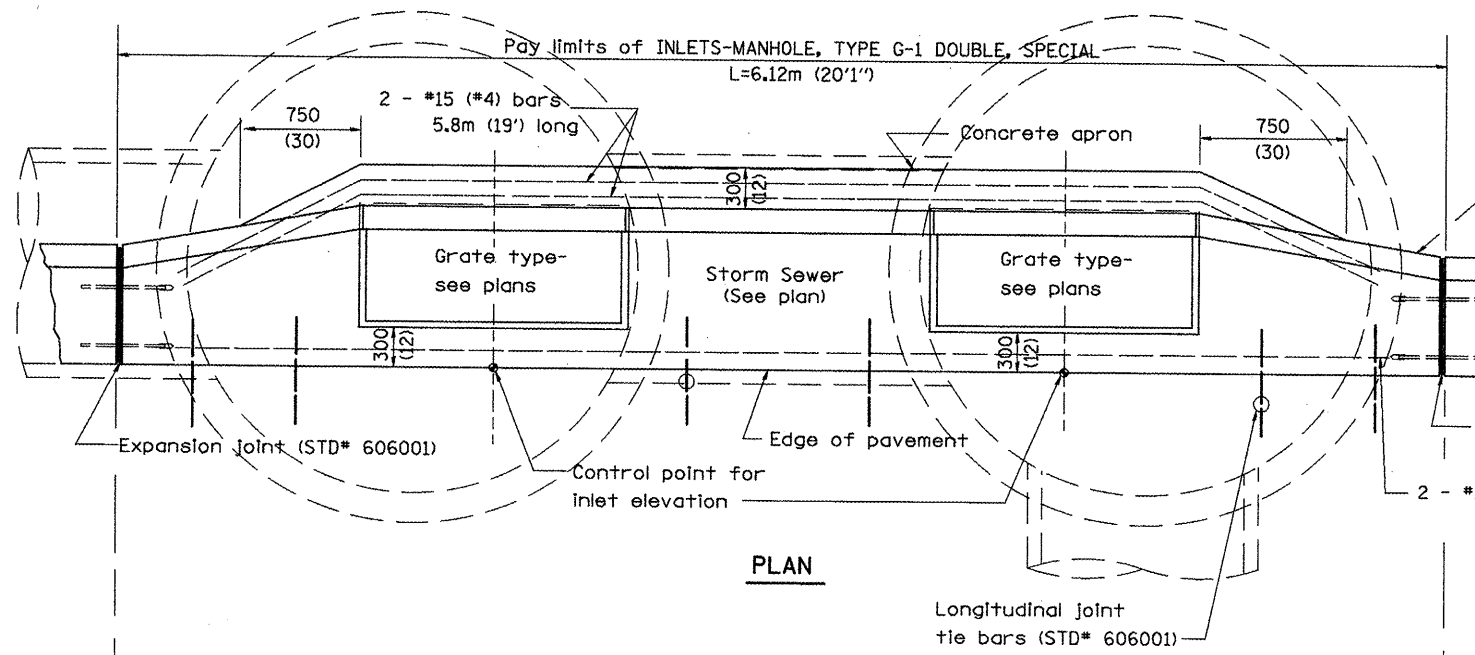


| | | | | |
|-----------------------|--------------|---------------------------|--------------|-----------|
| F.A.P. RTE. | SECTION | COUNTY | TOTAL SHEETS | SHEET NO. |
| 399 | 36R-1.37R-2) | TAZEWELL | 449 | 169 |
| STA 7+663.000 | | TO STA 10+097.000 | | |
| FED. ROAD DIST. NO. 4 | | ILLINOIS FED. AID PROJECT | | |

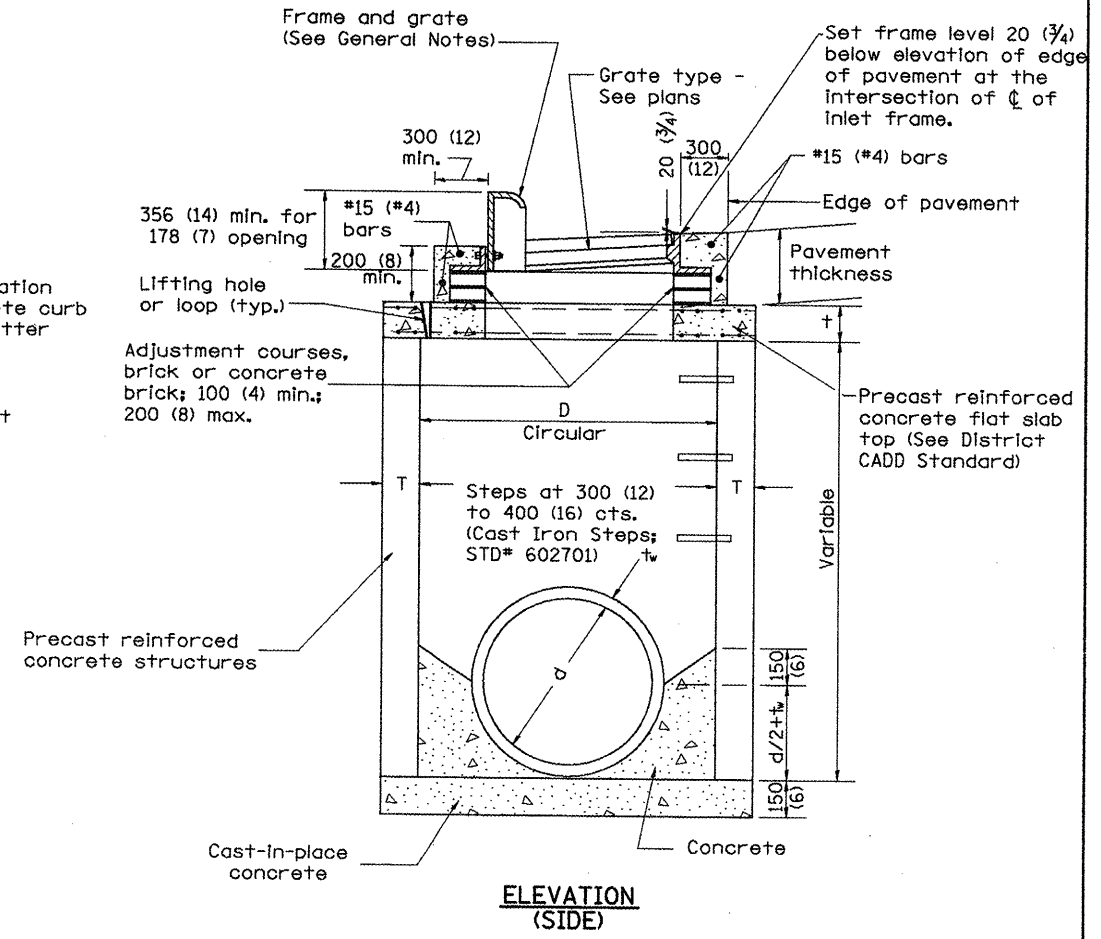


STRUCTURE TABLE

| Str # | MH 1.2m Ø | MH 1.5m Ø |
|-------|-----------|-----------|
| 34 | | X |
| 34A | | X |
| 99 | | X |
| 99A | | X |

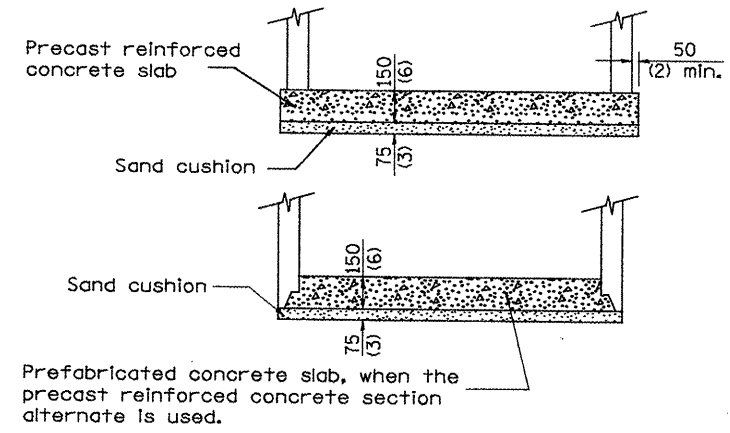
GENERAL NOTES

1. Inlet construction shall be in accordance with Section 602 of the Standard Specifications.
2. Combination Concrete Curb & Gutter shall be constructed in accordance with Section 606 of the Standard Specifications.
3. See District CADD Standard 604001-D4 for frame and grates.
4. See CADD Standard for Precast Reinforced Concrete slab top.
5. Pay item does not include sewer pipe between structures.



TABLE

| D | T | † |
|-----------|-------------|----------|
| 1.2m (4') | 125 (5) | 150 (6) |
| 1.5m (5') | 150 (6) | 200 (8) |
| 1.8m (6') | 195 (7 3/4) | 200 (8) |
| 2.4m (8') | 225 (9) | 250 (10) |



ALTERNATE BOTTOM SLAB

All dimensions are in millimeters (inches) unless otherwise noted.

| REVISIONS | |
|-----------|---------|
| NAME | DATE |
| LCE | 1-26-10 |
| | |
| | |
| | |
| | |
| | |

ILLINOIS DEPARTMENT OF TRANSPORTATION
ILLINOIS ROUTE 8 - SEGMENT 2
MANHOLE, TYPE G-1, 1.5M & 1.5M DIA., DOUBLE, SPECIAL

SCALE: N.T.S. DRAWN BY: RLK
DATE: DECEMBER, 2003 CHECKED BY: SE