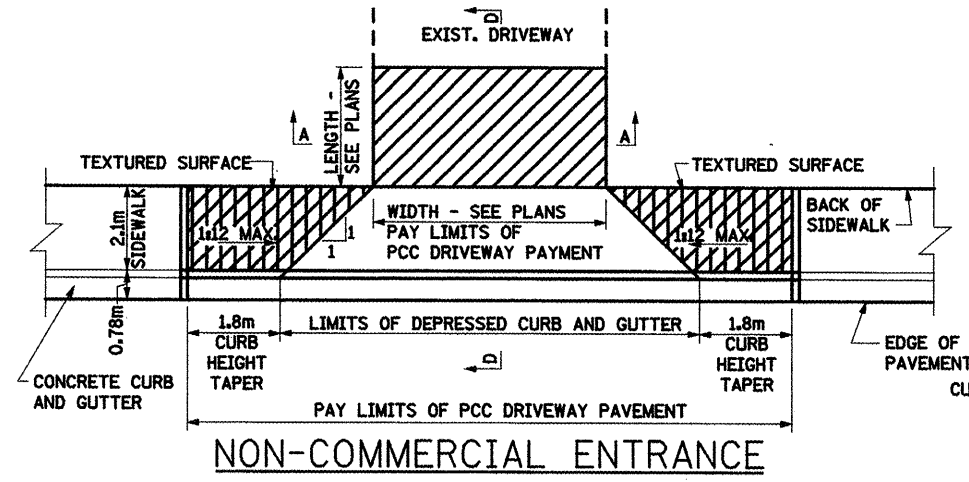
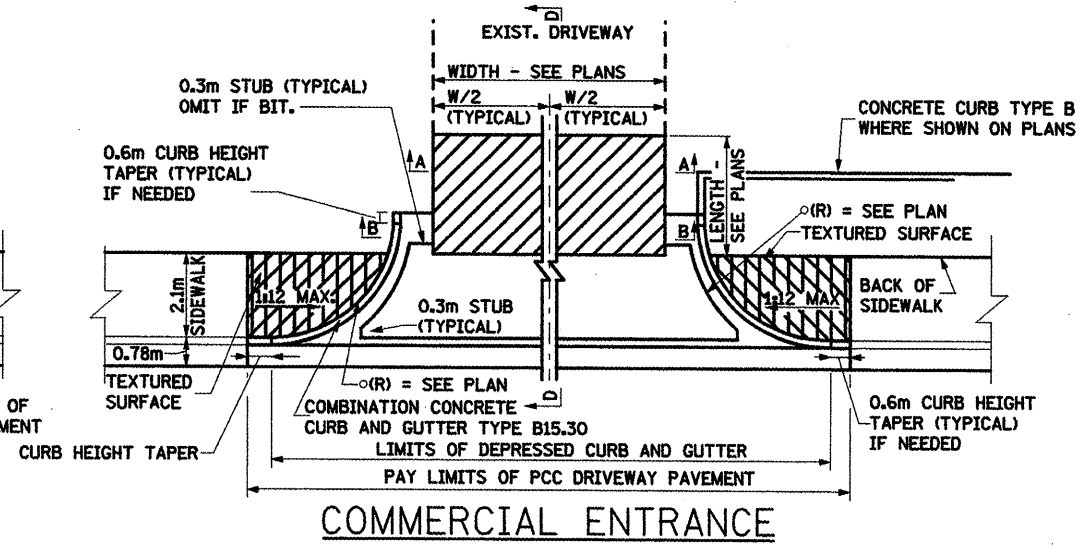


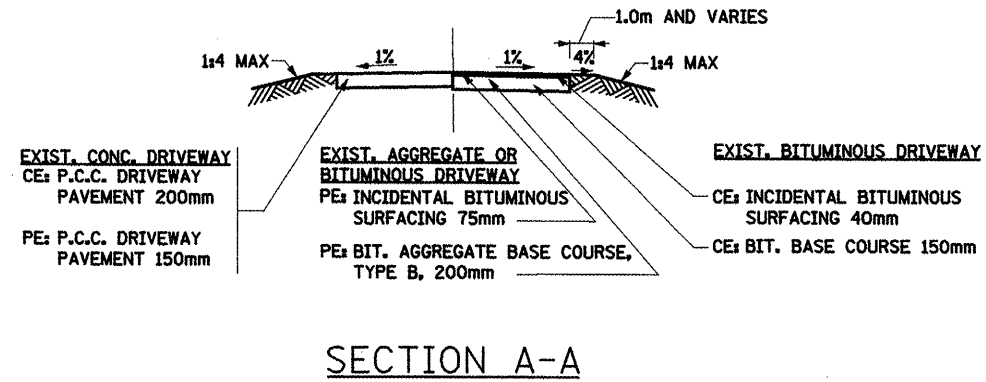
F.A.P. RTE.	SECTION	COUNTY	TOTAL SHEETS	SHEET NO.
399	36R-1 (37R-2)	TAZEWELL	449	234
STA 7+663.000		TO STA 10+097.000		
FED. ROAD DIST. NO. 4		ILLINOIS FED. AID PROJECT		



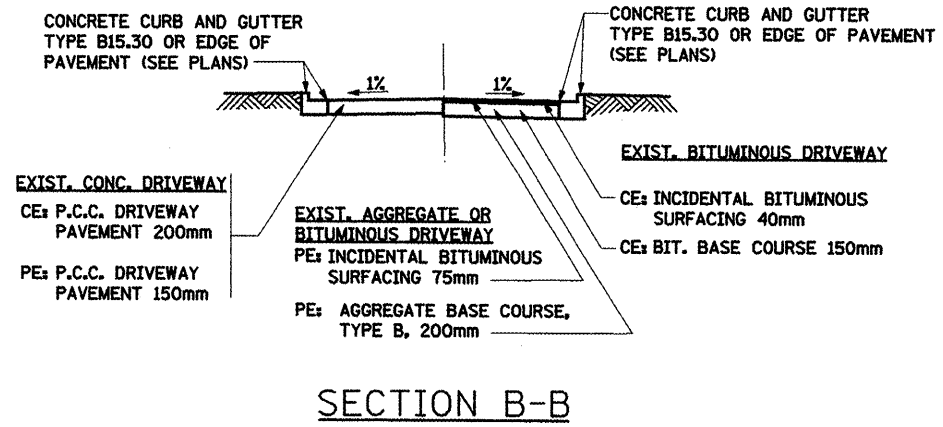
NON-COMMERCIAL ENTRANCE



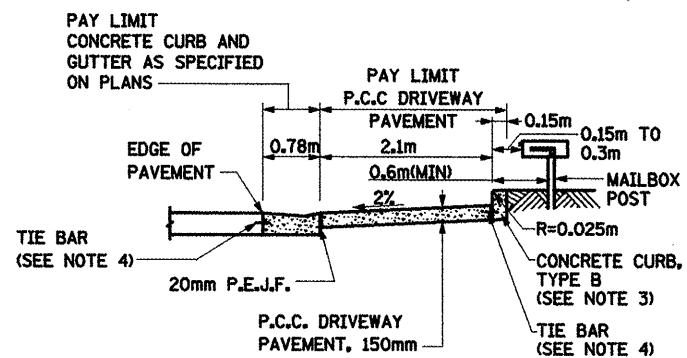
COMMERCIAL ENTRANCE



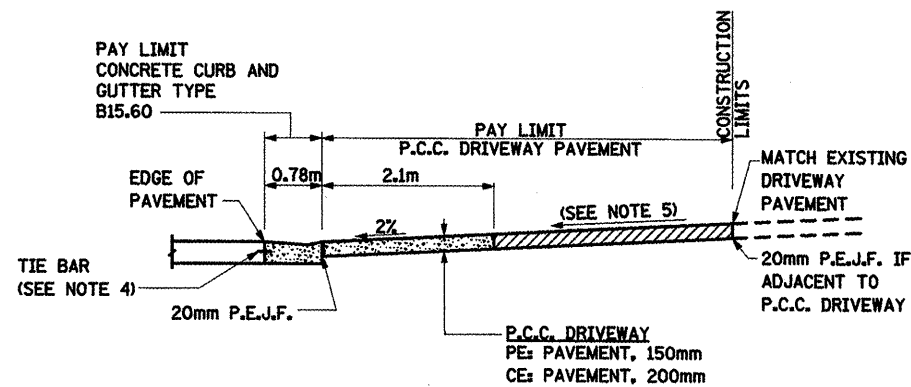
SECTION A-A



SECTION B-B



SECTION C-C



SECTION D-D

SECTIONS APPLY TO ENTRANCES AND MAILBOX TURNOUT

REVISIONS	
NAME	DATE

ILLINOIS DEPARTMENT OF TRANSPORTATION
 ILLINOIS ROUTE 8 - SEGMENT 2
 MAILBOX TURNOUTS AND
 ENTRANCE DETAILS-1
 SCALE: N.T.S. DRAWN BY: RLK
 DATE: DECEMBER, 2003 CHECKED BY: SAE