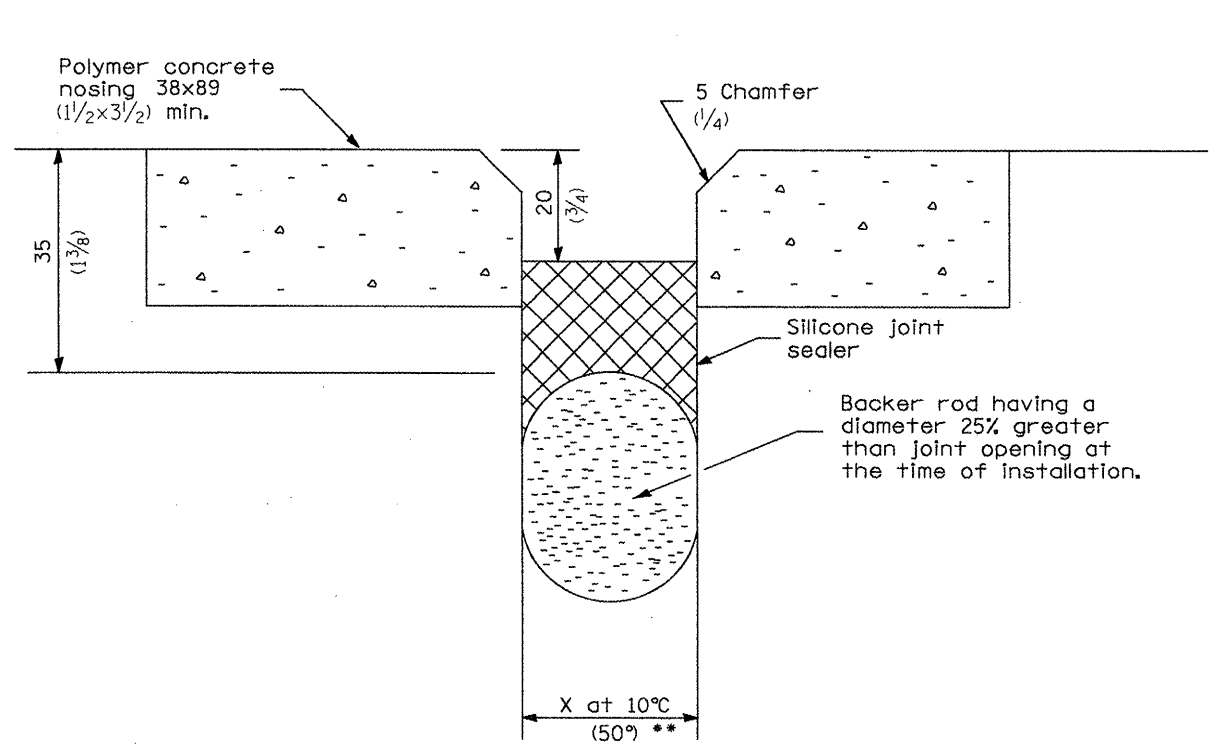
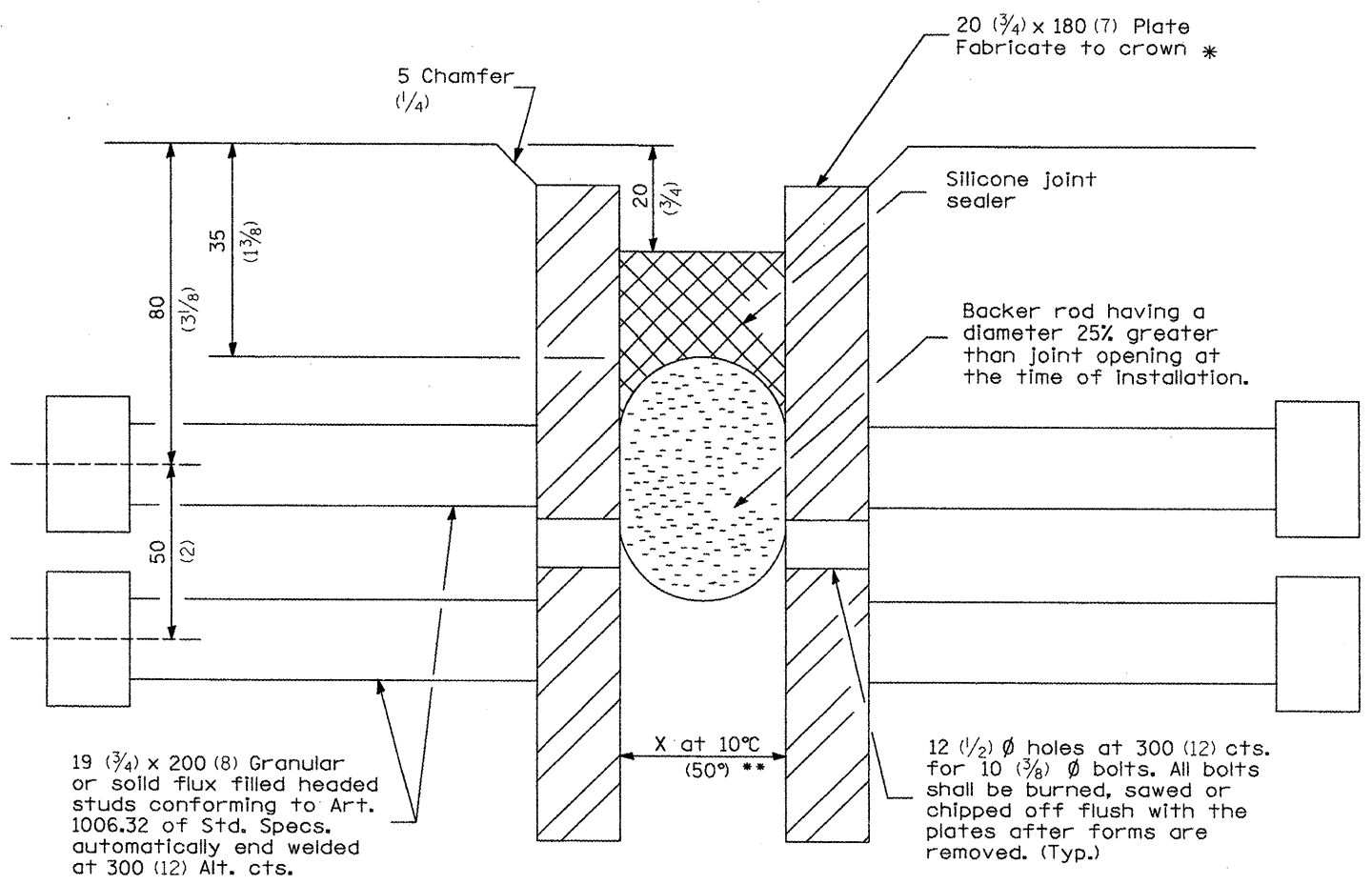


F.A. RTE.	SECTION	COUNTY	TOTAL SHEETS	SHEET NO.
399	36R-1, (3TR-2)	TAZEWELL	449	258
STA.		TO STA.		
FED. ROAD DIST. NO. 4		ILLINOIS FED. AID PROJECT		



**SILICONE JOINT SEAL
(CONCRETE DETAILS)**



**SILICONE JOINT SEAL
(STEEL DETAILS)**

- * Furnish in segments of 6 m (20 ft.) maximum length. Maximum space between installed segments shall be 5 (1/4). Seal space with Silicone Sealant suitable for Structural Steel.
- ** See Silicone Joint Seal Design Chart for Joint Opening (X).

Joint Opening at 10 °C (50 °F.)		Length Contributing to Expansion	
mm	Inch	meter	feet
25	1	0 - 12	0 - 40
38	1 1/2	12 - 24	40 - 80
51	2	24 - 37	80 - 120
64	2 1/2	37 - 49	120 - 160

All dimensions are in millimeters (inches) unless otherwise noted.

ILLINOIS DEPARTMENT OF TRANSPORTATION
DISTRICT CADD STANDARD
SILICONE JOINT SEAL
 CADD STD. NO. 503301-D4
 SCALE: NOT DRAWN TO SCALE
 DATE **DATE** DRAWN BY CADD CHECKED BY

DATE	REVISIONS	BY
1-1-97	RENUM. H-6.02, NEW REVISION BOX	T.P.

1. Include Special Provision's for Silicone Bridge Joint Sealer and 'Polymer Concrete' (if using Concrete Detail).

DATE

DGN-DONLY