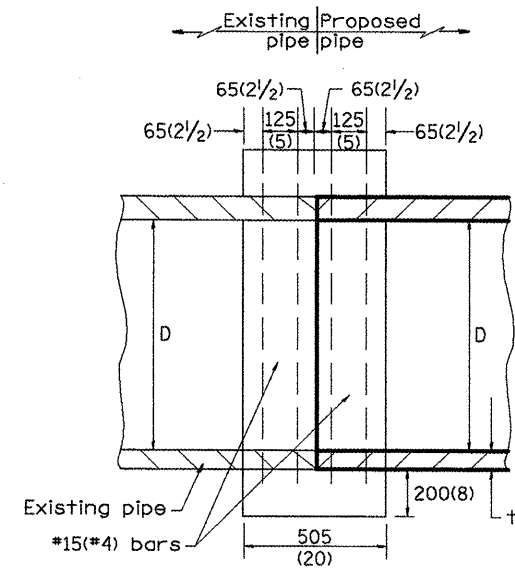
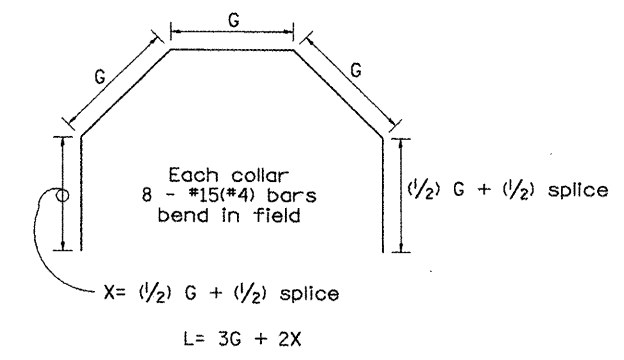
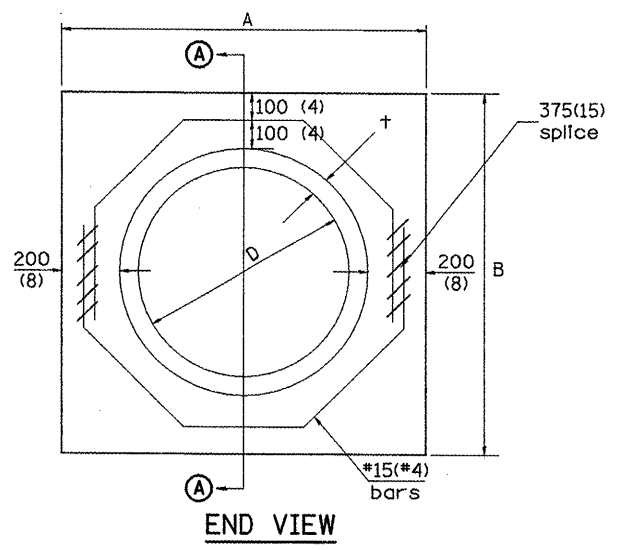


F.A.P. RTE.	SECTION	COUNTY	TOTAL SHEETS	SHEET NO.
399	36R-1,37R-2	TAZEWELL	449	262
STA.		TO STA.		
FED. ROAD DIST. NO. 4 ILLINOIS FED. AID PROJECT				



SECTION A - A



Each Collar									
					Reinforcement Bars				
D	+	A	B	CL. SI CONC.	G	X	L	Weight	
m (in)	m (in)	m (ft)	m (ft)	m ³ (cu. yd)	m (in)	m (in)	m (ft)	kg	(lb)
300 (12)	51 (2.00)	0.814 (2.67)	0.814 (2.67)	0.270 (0.4)	253 (9 15/16)	317 (12 7/16)	1.393 (4.57)	11	(24)
375 (15)	57 (2.25)	0.902 (2.96)	0.902 (2.96)	0.315 (0.4)	290 (11 3/8)	335 (13 3/16)	1.541 (5.05)	12	(27)
450 (18)	64 (2.50)	0.991 (3.25)	0.991 (3.25)	0.362 (0.5)	327 (12 13/16)	354 (13 7/8)	1.689 (5.54)	14	(30)
525 (21)	70 (2.75)	1.079 (3.54)	1.079 (3.54)	0.411 (0.5)	364 (14 1/4)	372 (14 5/8)	1.836 (6.02)	15	(32)
600 (24)	76 (3.00)	1.167 (3.83)	1.167 (3.84)	0.460 (0.6)	401 (15 11/16)	391 (15 5/16)	1.984 (6.51)	16	(35)
675 (27)	83 (3.25)	1.259 (4.13)	1.259 (4.13)	0.516 (0.7)	438 (17 1/4)	409 (16 1/16)	2.131 (6.99)	17	(37)
750 (30)	89 (3.50)	1.347 (4.42)	1.347 (4.42)	0.570 (0.7)	475 (18 11/16)	428 (16 3/4)	2.279 (7.48)	18	(40)
825 (33)	95 (3.75)	1.436 (4.71)	1.436 (4.71)	0.624 (0.8)	512 (20 1/8)	446 (17 1/2)	2.426 (7.96)	19	(43)
900 (36)	102 (4.00)	1.524 (5.00)	1.524 (5.00)	0.682 (0.9)	549 (21 9/16)	465 (18 3/16)	2.574 (8.44)	20	(45)
1050 (42)	114 (4.50)	1.701 (5.58)	1.701 (5.58)	0.800 (1.0)	622 (24 7/16)	501 (19 3/4)	2.869 (9.41)	23	(50)
1200 (48)	127 (5.00)	1.881 (6.17)	1.881 (6.17)	0.930 (1.2)	696 (27 5/16)	538 (21 3/16)	3.164 (10.38)	25	(55)

GENERAL NOTES

1. THE COLLAR SHALL BE CONSTRUCTED ENTIRELY OF CLASS SI CONCRETE IN ACCORDANCE WITH THE APPLICABLE PORTIONS OF SECTION 503 OF THE STANDARD SPECIFICATIONS. REINFORCEMENT BARS SHALL CONFORM TO SECTION 508.

All dimensions are in millimeters (inches) unless otherwise noted.

QUANTITIES		
CALC. BY:	R. J. D.	2-2-98
CHECKED BY:	R. D. H.	2-6-98
DATE:		
DATE:		
QUANTITY CALCULATIONS ARE ON FILE AT THE DISTRICT 4 OFFICE; BUREAU OF PROJECT IMPLEMENTATION; DOCUMENTATION SECTION		

DATE	REVISIONS	BY
1-1-97	RENUM. B-8.03, NEW REVISION BOX ADDED QUANTITY CALCULATION BOX, REVISED TITLE BOX	T.P.
4-1-97	CORRECT BAR	J.A.
2-10-98	REVISE QUANTITIES	J.A.
9-1-00	CORRECT WEIGHT	J.A.

ILLINOIS DEPARTMENT OF TRANSPORTATION
DISTRICT CADD STANDARD
**PIPE CULVERT
 EXTENSION COLLAR
 (WITHOUT END SECTION)**
CADD STANDARD 542016-D4
 SCALE: NOT DRAWN TO SCALE
 DATE: **DATE**
 DRAWN BY: CADD
 CHECKED BY: