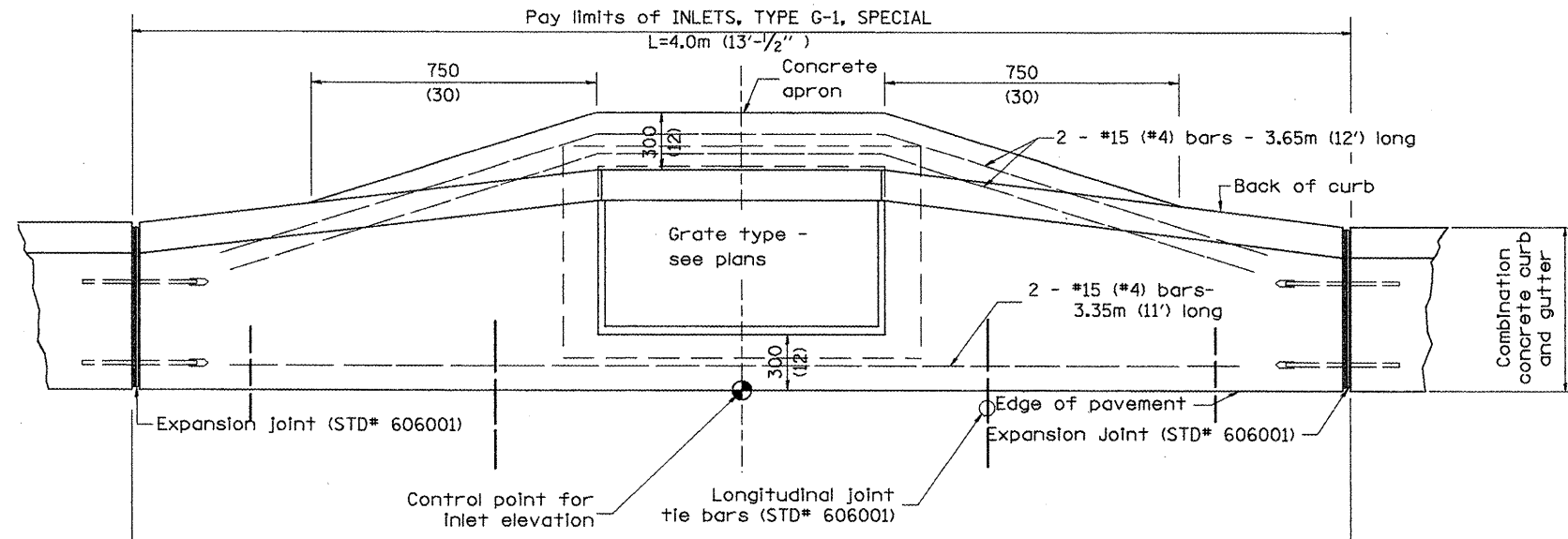
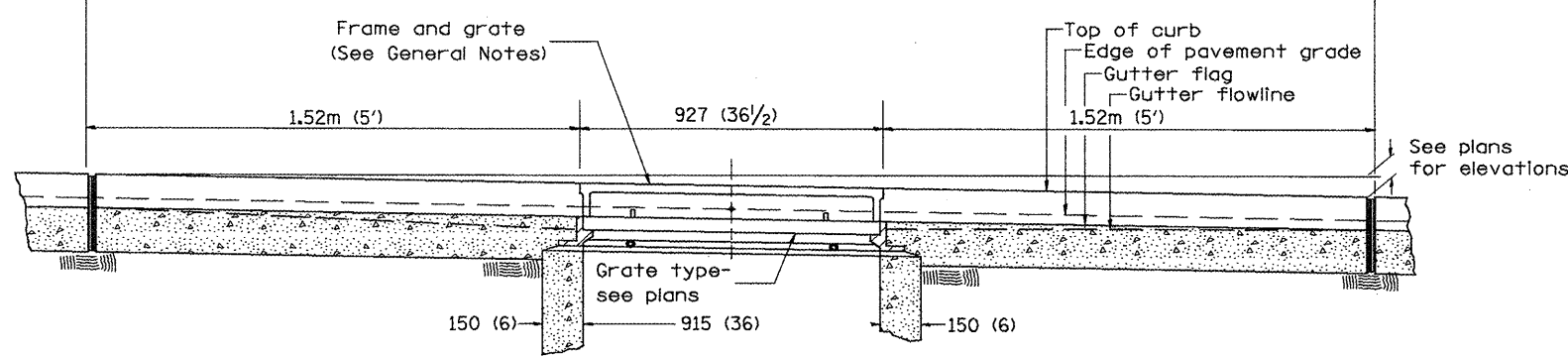


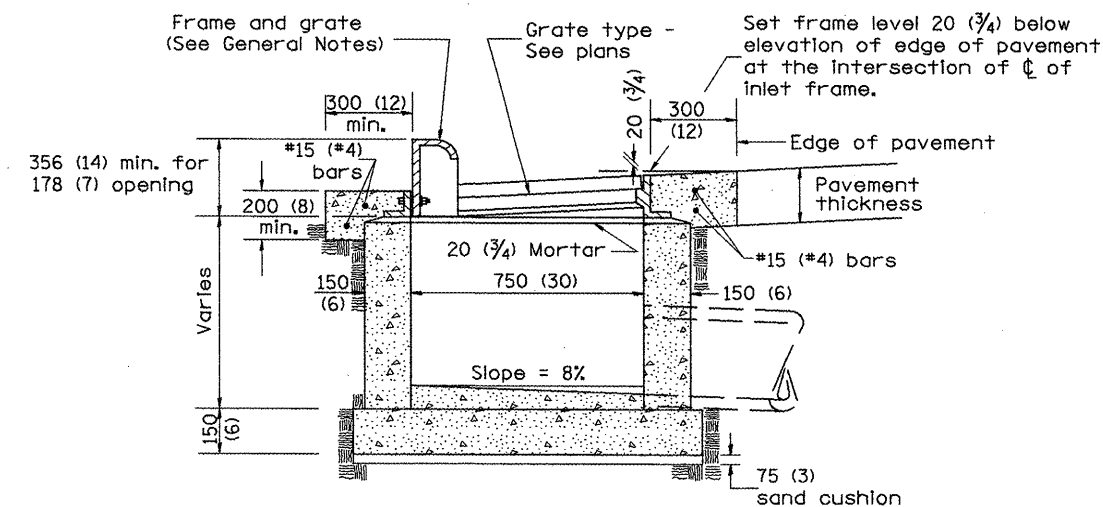
F.A. RTE.	SECTION	COUNTY	TOTAL SHEETS	SHEET NO.
399	36R-1, (37R-2)	TAZWELL	449	264
STA.	TO STA.			
FED. ROAD DIST. NO. 4	ILLINOIS	FED. AID PROJECT		



PLAN



ELEVATION (FRONT)



ELEVATION (SIDE)

GENERAL NOTES

1. Inlet construction shall be in accordance with Section 602 of the Standard Specifications.
2. Combination Concrete Curb and Gutter shall be constructed in accordance with Section 606 of the Standard Specifications.
3. See District CADD Standard 604001-D4 for frame and grates.

All dimensions are in millimeters (Inches) unless otherwise noted.

ILLINOIS DEPARTMENT OF TRANSPORTATION	
DISTRICT CADD STANDARD	
INLETS, TYPE G-1, SPECIAL	
CADD STANDARD 602006-D4	
SCALE NOT TO SCALE	DRAWN BY CADD
DATE **DATE**	CHECKED BY

DATE	REVISIONS	BY
1-1-97	RENUM. B-4.02, NEW REVISION BOX	
12-1-98	CORRECT E. O. P. NOTE	J.A.
10-99	REVISION TO GENERAL NOTES	J.A.

1. Include State Standard 420001 for pavement joints.
 2. Include District CADD Standard for frame and grates.
 3. Include District CADD Standard for frame and grates.
 4. Include District Special Provision. Pay item includes transitional c.c.c. & g., inlet and frame and grate. All work within pay limits.
 5. Specify grate type in plans

\$\$\$DATE\$\$\$