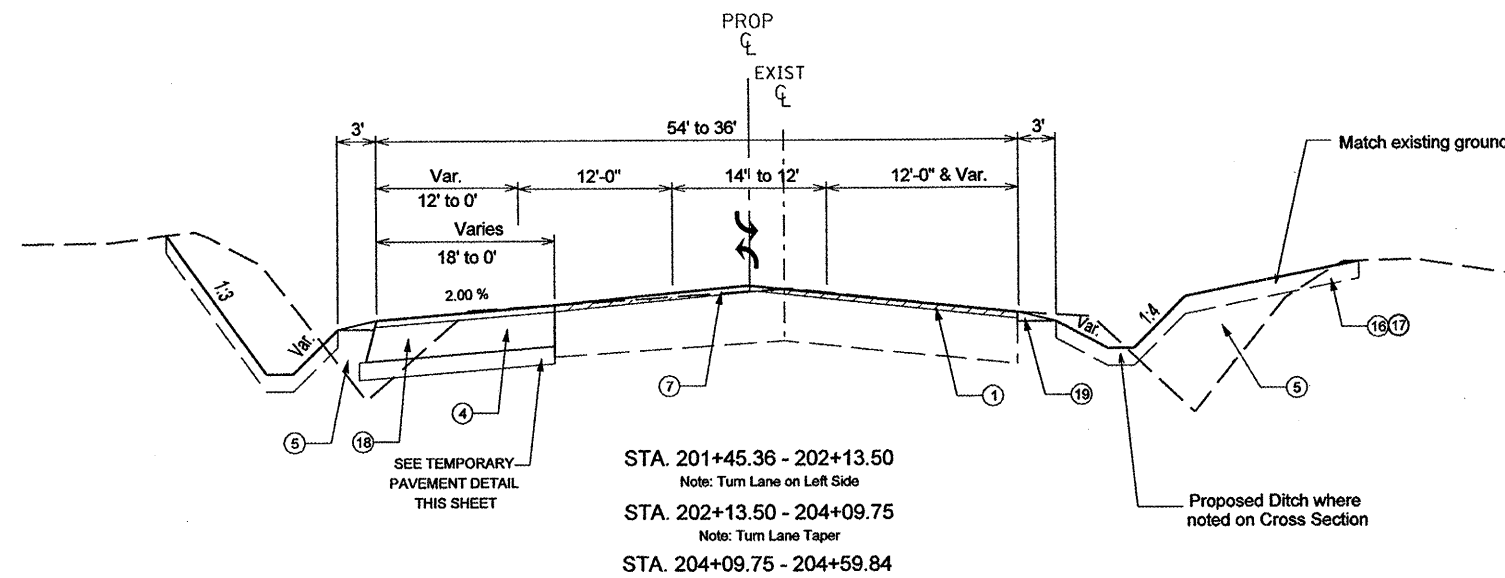
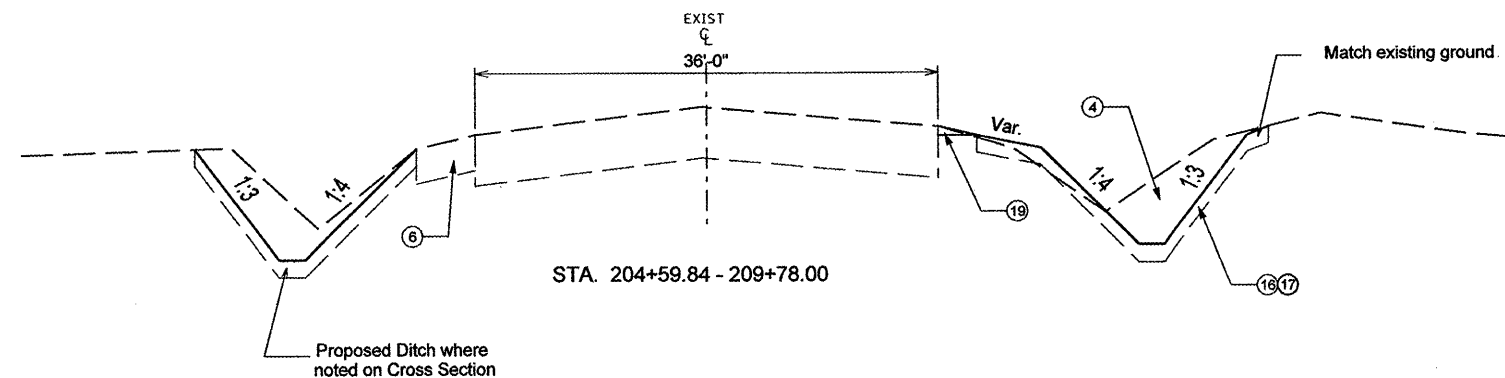


STA. 197+11.34 - 198+07.43 **
 STA. 198+07.43 - 199+28.87
 STA. 199+28.87 - 201+45.36
 Note: Turn Lane on Left Side



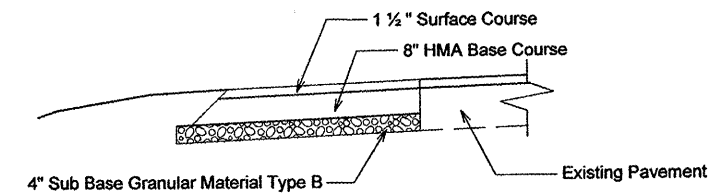
STA. 201+45.36 - 202+13.50
 Note: Turn Lane on Left Side
 STA. 202+13.50 - 204+09.75
 Note: Turn Lane Taper
 STA. 204+09.75 - 204+59.84



STA. 204+59.84 - 209+78.00

LEGEND:

- ① HOT-MIX ASPHALT SURFACE REMOVAL - VARIABLE DEPTH
- ② PAVEMENT REMOVAL
- ③ COMBINATION CURB AND GUTTER REMOVAL
- ④ EXCAVATION
- ⑤ EMBANKMENT
- ⑥ EXISTING HOT-MIX ASPHALT SHOULDERS
- ⑦ POLYMERIZED HOT-MIX ASPHALT SURFACE COURSE, MIX "E", N50, 1½"
- ⑧ SUB-BASE GRANULAR MATERIAL, TYPE A 12"
- ⑨ PORTLAND CEMENT CONCRETE PAVEMENT 10" (JOINTED)
- ⑩ CONCRETE GUTTER, TYPE B
- ⑪ COMBINATION CONCRETE CURB AND GUTTER, TYPE B-6.12
- ⑫ COMBINATION CONCRETE CURB AND GUTTER, TYPE B-6.24
- ⑬ PORTLAND CEMENT CONCRETE SIDEWALK 4"
- ⑭ PORTLAND CEMENT CONCRETE SIDEWALK 4", SPECIAL
- ⑮ PORTLAND CEMENT CONCRETE SIDEWALK 6", SPECIAL
- ⑯ TOPSOIL FURNISH & PLACE, 4"
- ⑰ SODDING SALT TOLERANT OR SEEDING, CLASS 2A
- ⑱ TEMPORARY PAVEMENT
- ⑲ AGGREGATE SHOULDER, TYPE B (WEDGE)



TEMPORARY PAVEMENT DETAIL

FILE NAME = #FILE#	USER NAME = #USER#	DESIGNED -	REVISED -	STATE OF ILLINOIS DEPARTMENT OF TRANSPORTATION	ILLINOIS ROUTE 8 PROPOSED TYPICAL SECTIONS			F.A.U. RTE. 6775	SECTION 04-00141-00-FP	COUNTY TAZEWELL	TOTAL SHEETS 187	SHEET NO. 17
	PLOT SCALE = #SCALE#	CHECKED -	REVISED -		SCALE:	SHEET NO. OF SHEETS	STA. TO STA.	FED. ROAD DIST. NO. ILLINOIS FED. AID PROJECT				
PLOT DATE = #DATE#	DATE -	REVISED -	REVISED -		CONTRACT NO. 89352							