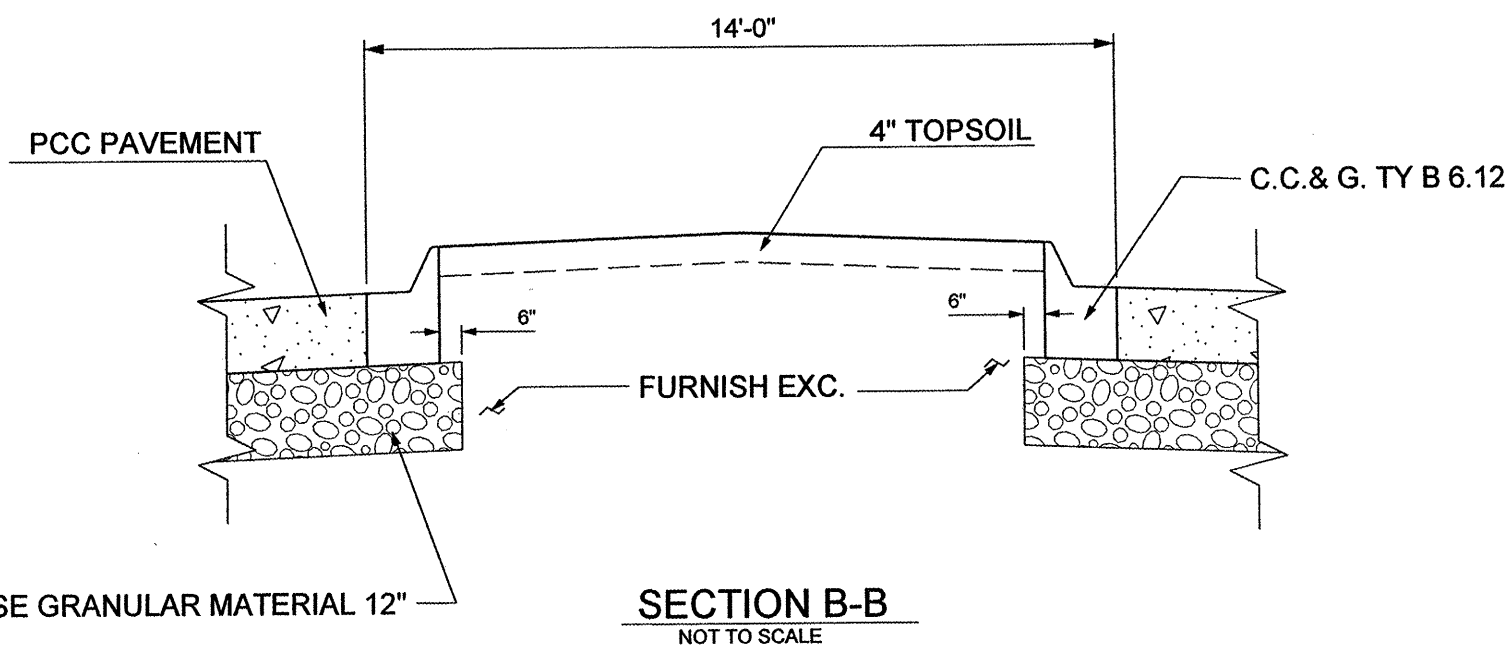
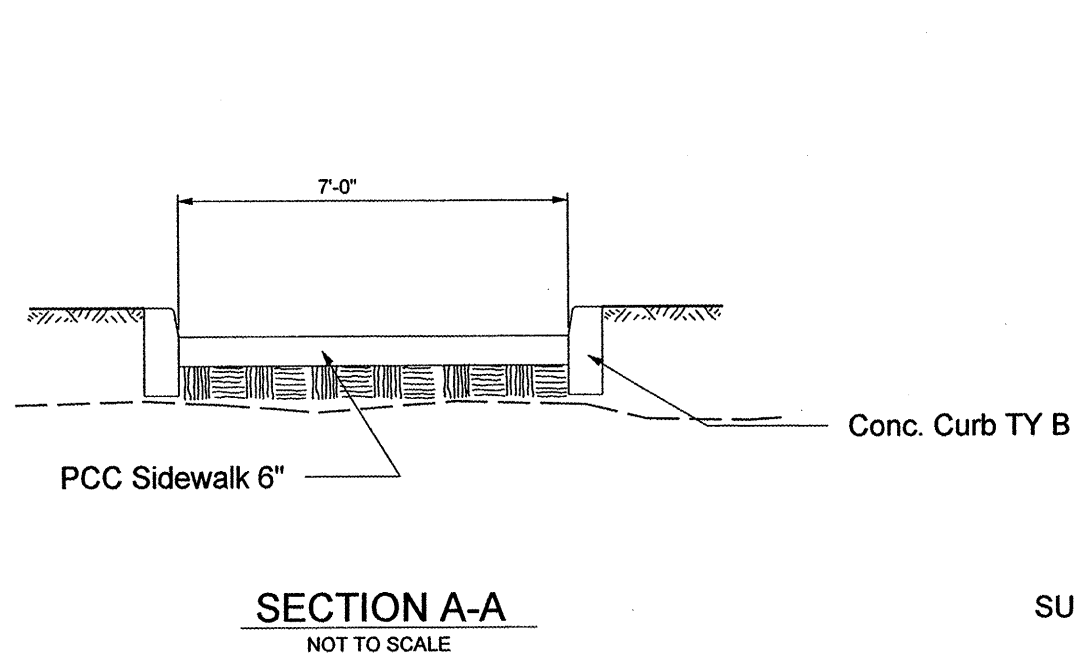


MEDIAN FROM STA. 194+84.89 TO 195+16.19



FILE NAME =	USER NAME = #USER#	DESIGNED -	REVISED -	STATE OF ILLINOIS DEPARTMENT OF TRANSPORTATION	ILLINOIS ROUTE 8 MEDIAN ISLAND DETAILS		F.A.U. RTE. 6775	SECTION 04-00141-00-FP	COUNTY TAZEWELL	TOTAL SHEETS 187	SHEET NO. 94	
#FILE#		DRAWN -	REVISED -		SCALE: N.T.S.	SHEET NO. 1 OF 1 SHEETS	STA. TO STA.	FED. ROAD DIST. NO. 4 ILLINOIS FED. AID PROJECT				
		CHECKED -	REVISED -		CONTRACT NO. 89352							
		DATE -	REVISED -									