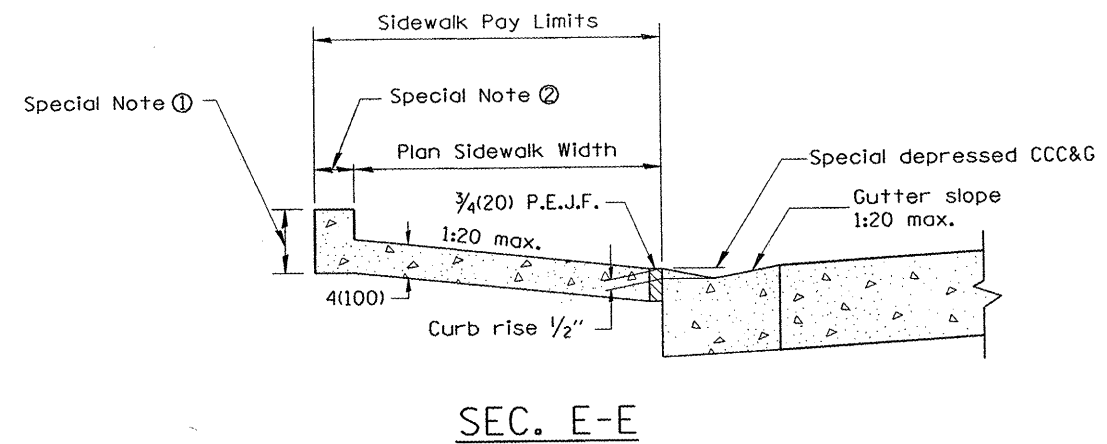
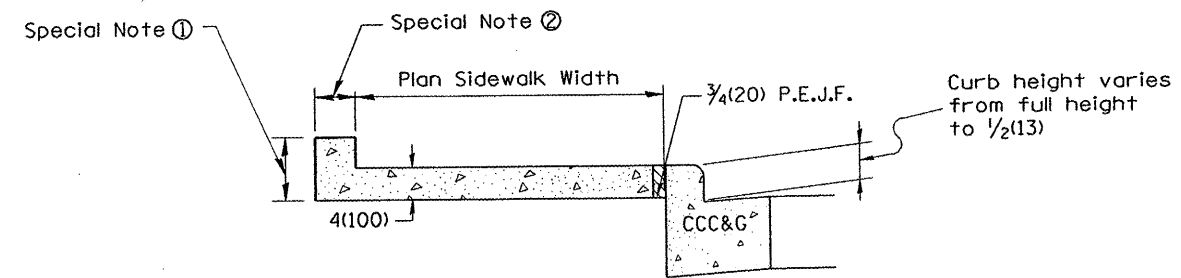


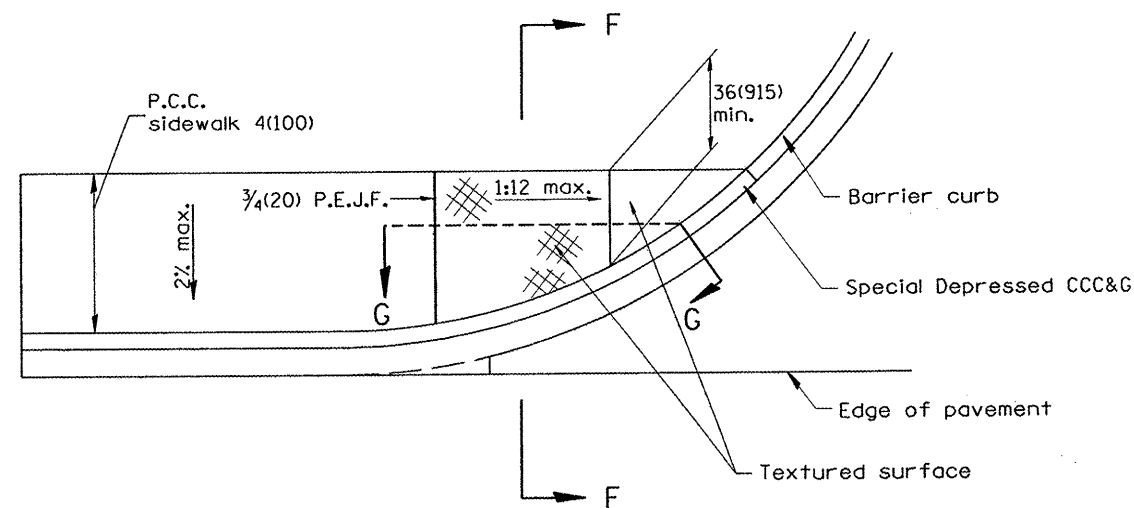
CASE 3
TYPE B DIAGONAL RAMP WITH CURBLIN SIDEWALK



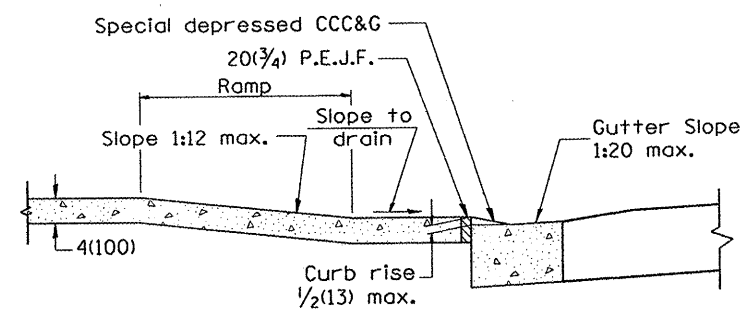
SEC. E-E



SEC. F-F



CASE 4
TYPE B RAMP WITH CURBLIN SIDEWALK



SEC. G-G

All dimensions are in inches (millimeters) unless otherwise noted.

FILE NAME =	PLOT SCALE = \$SCALE\$	DESIGNED - RAW	REVISED -
	PLOT DATE = \$DATE\$	DRAWN - RAW	REVISED -
	PLOT TIME = \$TIME\$	CHECKED - RJA	REVISED -
		DATE -	REVISED -



SPECIAL DETAILS	
SIDEWALK RAMPS ACCESSIBLE TO THE DISABLED	
NO SCALE	CADD STD 424001-D4

F.A.U. RTE.	SECTION	COUNTY	TOTAL SHEETS	SHEET NO.
6775	04-00141-00-FP	TAZEWELL	187	114
CONTRACT NO. 89352				

SHEET 2 OF 2 FED. ROAD DIST. NO. ILLINOIS FED. AID PROJECT