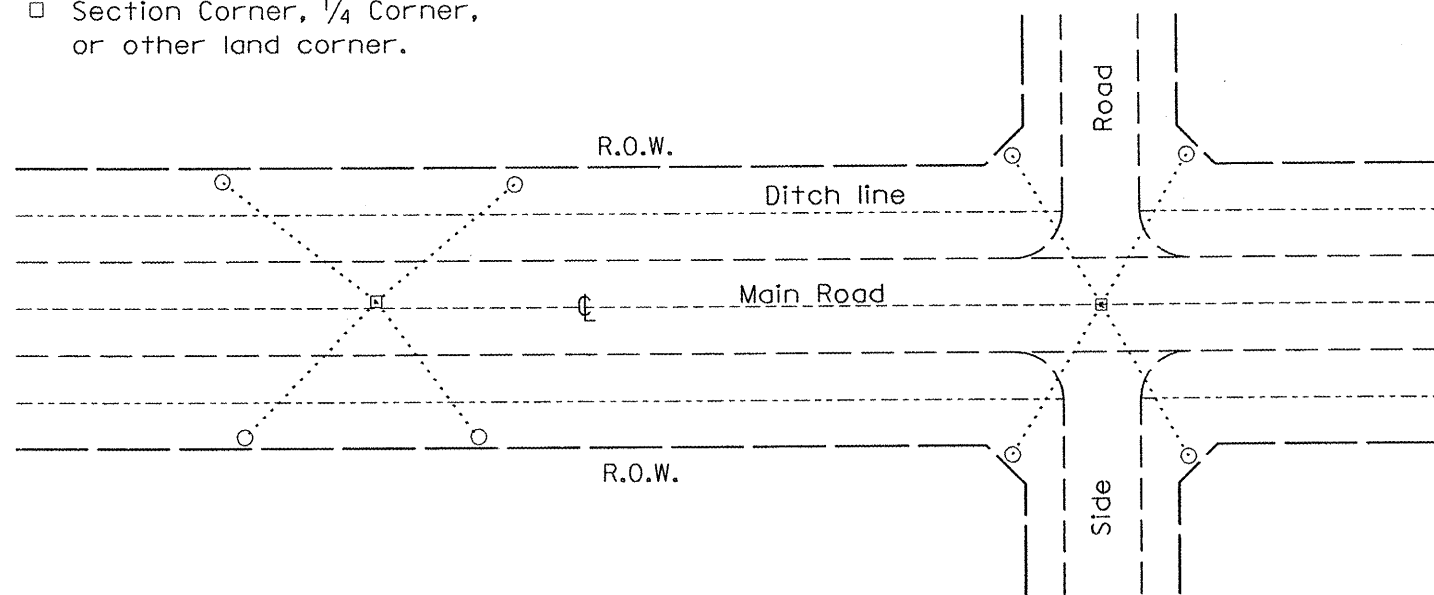


**PERMANENT SURVEY TIES**

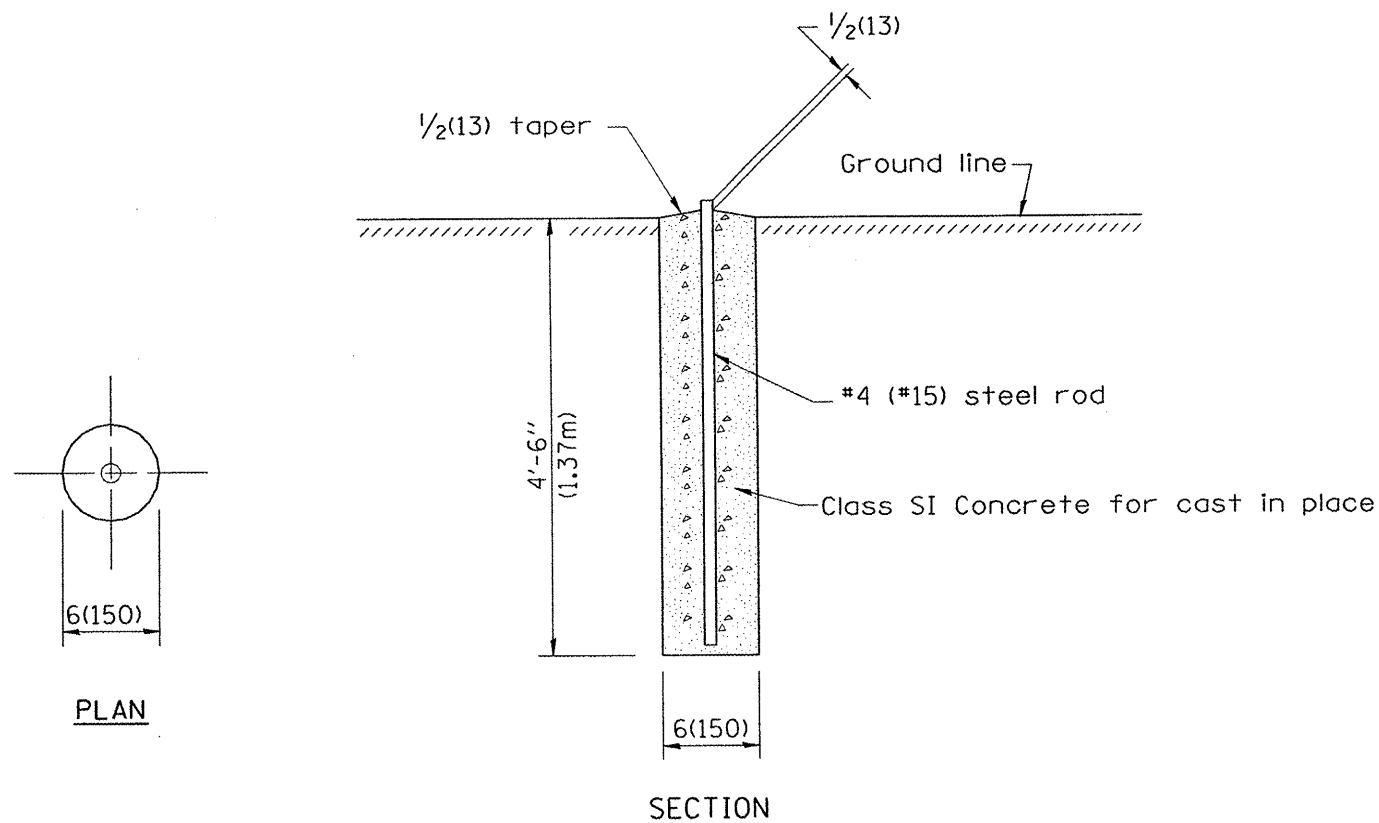
- Permanent Survey Tie
- Section Corner, 1/4 Corner, or other land corner.



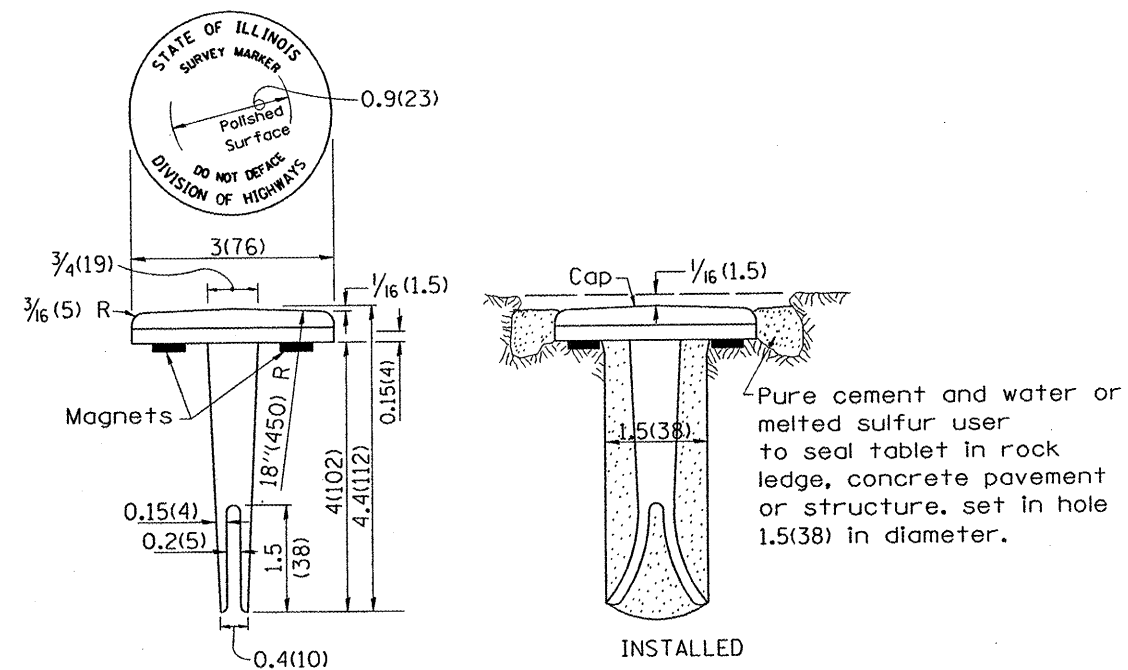
**TYPICAL APPLICATION**

**GENERAL NOTES**

1. The marker shall be cast in place of Class SI Concrete.
2. Tie marker shall be installed after the final seeding has been completed unless otherwise specified by the Engineer.
3. The tie distances to the section corner shall be measured and recorded by the IDOT Chief of Surveys.



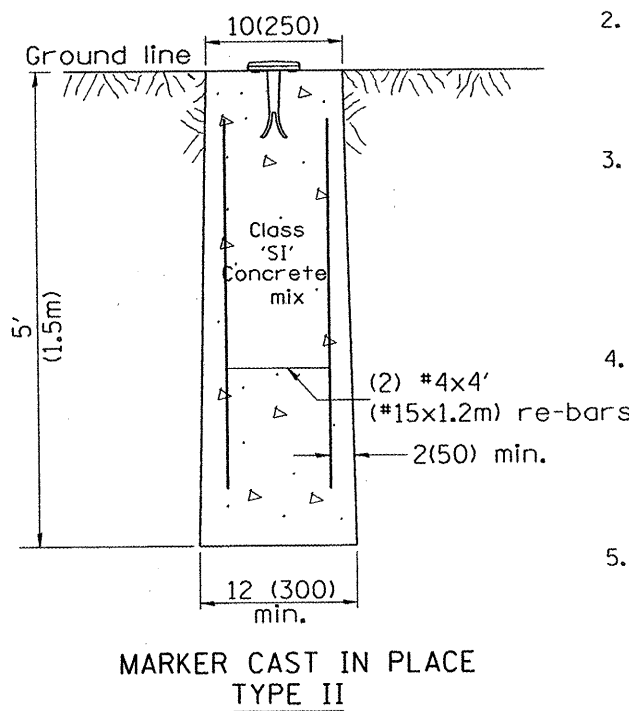
**PERMANENT SURVEY MARKERS**



**BRONZE TABLET - No Scale TYPE I**

**GENERAL NOTES**

1. All type II markers shall be cast in place, and precast markers will not be allowed.
2. Two permanent magnets, each having a diameter of 3/4 (19) and a thickness of 1/4 (6), or equivalent, shall be attached to the underside of the tablet with an approved epoxy bonding agent.
3. The location of the markers shall be in accordance with the plans in general, the markers will be placed at the P.T.'s and P.C.'s of horizontal curves and spaces along the tangents in a way that a minimum of two markers are always inter-visible, and not to exceed 1000' (300m).
4. The markers shall be placed under the direction of the Engineer and shall be installed in a workmanlike manner in order that there will be no further settlement or horizontal shifting. The monuments shall be placed in a way that the survey point will fall within the portion of the plaque provided for that purpose.
5. The project designation, the centerline station, the survey point, and the elevation shall be permanently marked by the use of metal dies after marker has been installed.



**MARKER CAST IN PLACE TYPE II**

All dimensions are in inches (millimeters) unless otherwise noted.

DESIGNER NOTES:  
1. ADD DISTRICT SPECIAL PROVISION.  
2. MODIFIES STATE STD 667101 TO CALL FOR "BRONZE" TABLET.

FILE NAME *	PLOT SCALE = *SCALE*	DESIGNED - RAW	REVISED -	<b>MAURER &amp; STUTZ, INC.</b> ENGINEERS SURVEYORS	<b>SPECIAL DETAILS</b> <b>PERMANENT SURVEY TIE &amp;</b> <b>PERMANENT SURVEY MARKERS TY.I - TY.II</b>		F.A.U. RTE.	SECTION	COUNTY	TOTAL SHEETS	SHEET NO.
	PLOT DATE = *DATE*	DRAWN - RAW	REVISED -		NO SCALE	CADD STD 667101-D4	6775	04-00141-00-FP	TAZEWELL	187	131
	PLOT TIME = *TIME*	CHECKED - RJA	REVISED -				CONTRACT NO. 89352				
#FILEL#	DATE -	REVISED -	REVISED -				FED. ROAD DIST. NO. ILLINOIS FED. AID PROJECT				