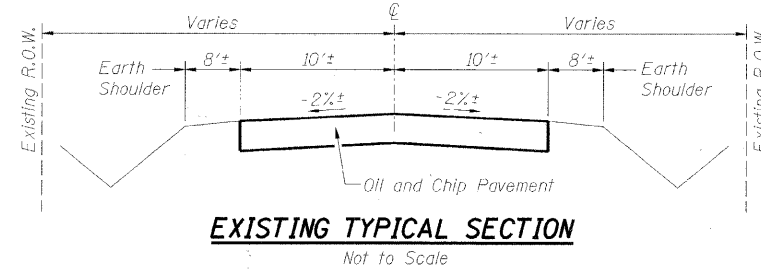


**SUMMARY OF QUANTITIES**

PAY CODE	DESCRIPTION	UNIT	Tot. Project	Roadway	Bridge
20200100	EARTH EXCAVATION	CU YD	485	485	
20400800	FURNISHED EXCAVATION	CU YD	546	546	
20700400	POROUS GRANULAR EMBANKMENT, SPECIAL	CU YD	200		200
21101505	TOPSOIL EXCAVATION & PLACEMENT	CU YD	189	189	
25000300	SEEDING, CLASS 3	ACRE	0.44	0.44	
25000400	NITROGEN FERTILIZER NUTRIENT	POUND	40	40	
25000500	PHOSPHORUS FERTILIZER NUTRIENT	POUND	40	40	
25000600	POTASSIUM FERTILIZER NUTRIENT	POUND	40	40	
25100630	EROSION CONTROL BLANKET	SQ YD	2130	2130	
28000250	TEMPORARY EROSION CONTROL SEEDING	POUND	200	200	
28000400	PERIMETER EROSION BARRIER	FOOT	1125	1125	
28500100	FABRIC FORMED CONCRETE REVETMENT MAT	SQ YD	860		860
35101100	AGGREGATE BASE COURSE, TYPE A 12"	SQ YD	981	981	
40600115	POLYMERIZED BITUMINOUS MATERIALS (PRIME COAT)	GALLON	415	415	
40603100	HOT-MIX ASPHALT BINDER COURSE, IL-19.0L, N30	TON	105	105	
40603305	HOT-MIX ASPHALT SURFACE COURSE, MIX "C", N30	TON	93	93	
42001430	BRIDGE APPROACH PAVEMENT CONNECTOR (FLEXIBLE)	SQ YD	50.4		50.4
48101500	AGGREGATE SHOULDERS, TYPE B 6"	SQ YD	513	513	
50100100	REMOVAL OF EXISTING STRUCTURES	EACH	1		1
50104650	SLOPE WALL REMOVAL	SQ YD	280		280
50200100	STRUCTURE EXCAVATION	CU YD	388		388
50300100	FLOOR DRAINS	EACH	12		12
50300225	CONCRETE STRUCTURES	CU YD	65.0		65.0
50300255	CONCRETE SUPERSTRUCTURE	CU YD	282.6		282.6
50300260	BRIDGE DECK GROOVING	SQ YD	601		601
50300280	CONCRETE ENCASEMENT	CU YD	5.6		5.6
50300300	PROTECTIVE COAT	SQ YD	771		771
50401105	FURNISHING AND ERECTING PRECAST PRESTRESSED CONCRETE I-BEAMS, 54 IN.	FOOT	681		681
50800205	REINFORCEMENT BARS, EPOXY COATED	POUND	64,030		64,030
50800515	BAR SPLICERS	EACH	76		76
51201600	FURNISHING STEEL PILES HP12X53	FOOT	735		735
51202305	DRIVING PILES	FOOT	735		735
51203600	TEST PILE STEEL HP12X53	EACH	2		2
51500100	NAME PLATES	EACH	1		1
59100100	GEOCOMPOSITE WALL DRAIN	SQ YD	98		98
60100060	CONCRETE HEADWALL FOR PIPE DRAINS	EACH	4		4
60109580	PIPE UNDERDRAINS FOR STRUCTURES 4"	FOOT	164		164
* 63000003	STEEL PLATE BEAM GUARD RAIL, TYPE A, 9 FOOT POSTS	FOOT	50	50	
* 63100085	TRAFFIC BARRIER TERMINAL, TYPE 6	EACH	4	4	
* 63100167	TRAFFIC BARRIER TERMINAL TYPE I, SPECIAL (TANGENT)	EACH	4	4	
66411900	TEMPORARY FENCE	FOOT	395	395	
66600105	FURNISHING AND ERECTING RIGHT-OF-WAY MARKERS	EACH	4	4	
67000500	ENGINEER'S FIELD OFFICE, TYPE B	CAL MO	7		7
67100100	MOBILIZATION	L. SUM	1		1
70101700	TRAFFIC CONTROL AND PROTECTION	L. SUM	1		1
* 78200100	MONODIRECTIONAL PRISMATIC BARRIER REFLECTOR	EACH	22	10	12
* 78201500	TERMINAL MARKER - DIRECT APPLIED	EACH	4	4	
XX000714	FENCE TO BE REMOVED AND RE-ERECTED	FOOT	397	397	
Z0013798	CONSTRUCTION LAYOUT	L. SUM	1		1
△ Z0014600	TRAINNEES	Hour	500		

\* SPECIALTY ITEMS  
△ Y080

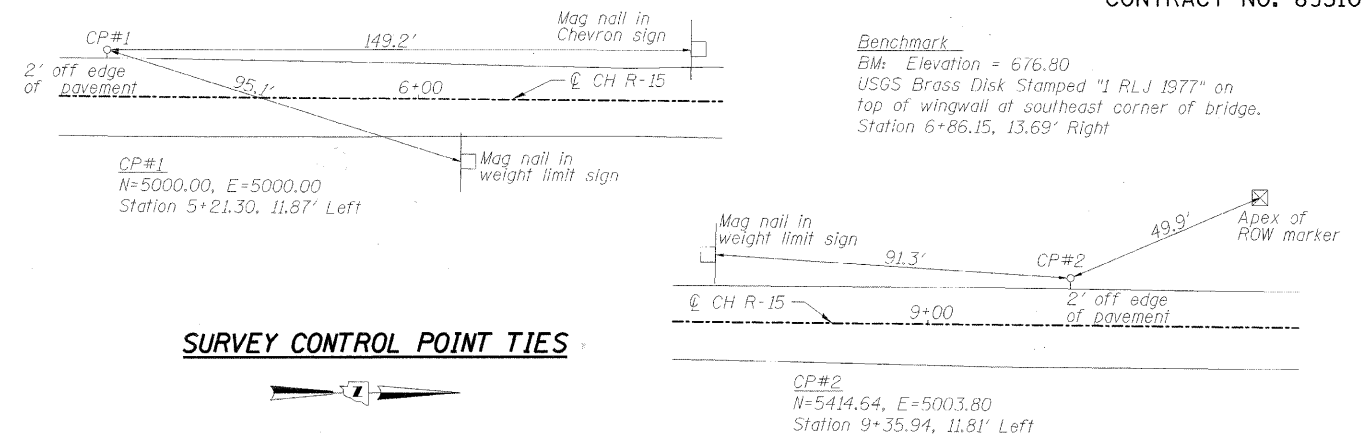
DESIGNED	PJL
CHECKED	LLV
DRAWN	MGM
CHECKED	PJL



**HMA MIX DESIGN**

AC/PG:	HMA Surface PG64-22	HMA Binder PG64-22
RAP % (Max):	30%	30%
Design Air Voids:	4.0% @ N=30	4.0% @ N=30
Mixture Composition:	IL 9.5 or 12.5	IL 19.0 L
Friction Aggregate	Mixture C	N/A
Quantity	93 Tons	105 Tons

\*\*If the RAP option is selected, the asphalt cement grade may need to be adjusted; this will be determined by the Engineer.



**UTILITY COMPANIES**

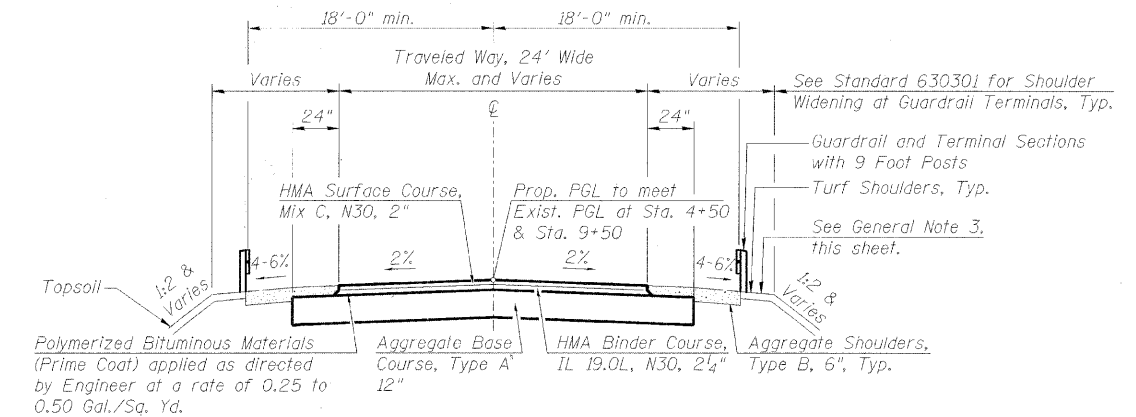
Telephone  
Verizon Communications  
Terry Spurgeon  
111 S. Main St.  
Kewanee, IL 61443  
Ph.: 309-853-6293

Electric  
Ameren/CILCO  
Sue Salrin  
Electric Engineering Specialist  
Ph.: 309-693-4726

Cable  
Comcast Communications  
Kirk Boyd  
3517 N. Dries Lane  
Peoria, IL 61604  
Ph.: 309-686-2633

**GENERAL NOTES**

- All work shall be in conformance with applicable sections of the Illinois Department of Transportation's "Standard Specifications for Road and Bridge Construction" adopted January 1, 2007 and Supplemental Specifications adopted January 1, 2010.
- The Contractor shall be responsible for locating and protecting utility property during construction operations as outlined in Article 107.31 of the Standard Specifications. The JULIE number is 811 or 800-892-0123.
- The final top four inches of soil in any area disturbed by the contractor must be a cohesive topsoil capable of supporting vegetation.
- A nationwide 404 permit has been obtained for this project and the conditions of that permit must be adhered to.



**PROPOSED TYPICAL SECTION**

Sta. 4+50 to South end of South Bridge Approach Slab Sta. 6+47.5;  
North end of North Bridge Approach Slab Sta. 8+06.5 to Sta. 9+50

**SUMMARY OF QUANTITIES, GENERAL NOTES & DETAILS  
ELMORE ROAD BRIDGE  
OVER FRENCH CREEK**

**AECOM**  
111 NE Jefferson Ave.  
Peoria, Illinois 61602  
Ph: 309.676.8464  
Fax: 309.676.5445  
IL Design Firm Reg.  
No. 184-001518  
www.aecom.com

HWY	SECTION	COUNTY	TOTAL SHEETS	SHEET NO.
R-15	08-00092-00-BR	PEORIA	32	2
STRUCTURE NO. 072-3147		STATION 7+27		
FED. ROAD DIST. NO. _ ILLINOIS FED. AID PROJECT BROS-0143(049)				