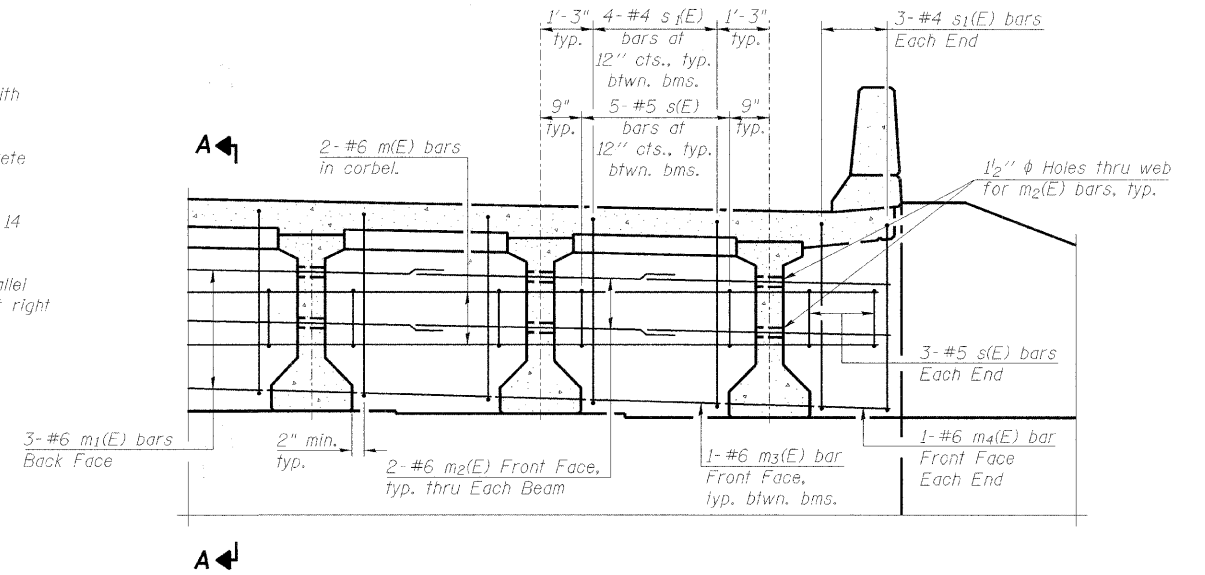


**SECTION A-A**

Dimensions at right angles to abutment, except as shown.

**NOTES**

1. Reinforcement bars in diaphragm are billed with Superstructure on Sht. 14 of 32 .
2. Concrete in diaphragm is included with Concrete Superstructure on Sht. 14 of 32 .
3. For details of bars s(E), and s1(E) see Sht. 14 of 32 .
4. The s(E) and s1(E) bars shall be placed parallel to the beams. Spacing for these bars shall be at right angles to the beams.

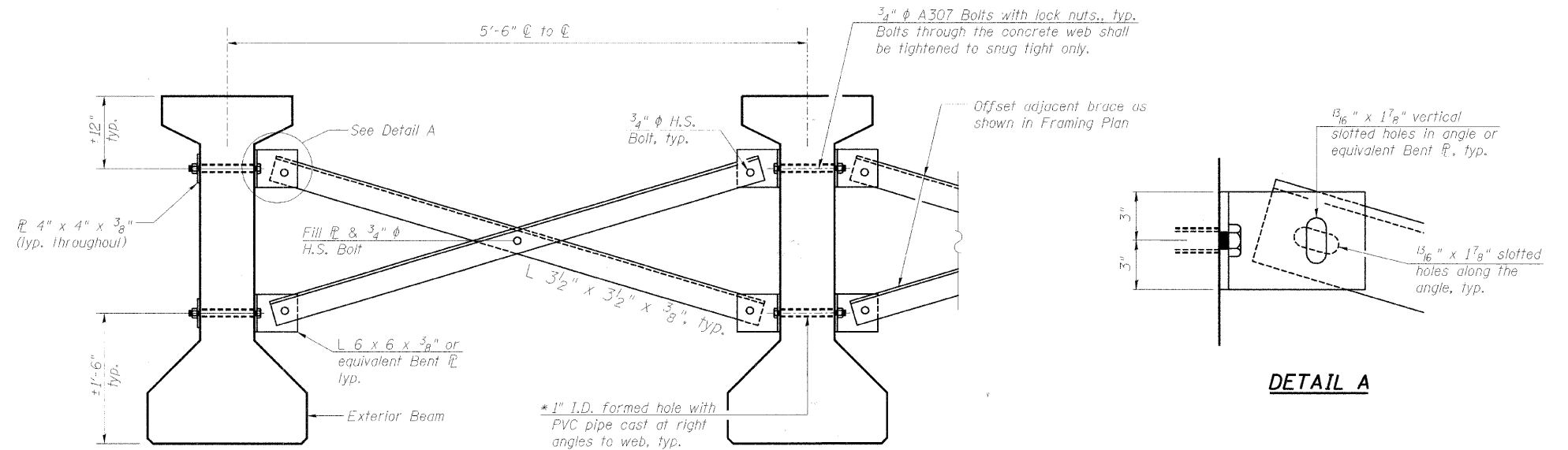


**DIAPHRAGM ELEVATION AT ABUTMENT**

**MIN. BAR LAP**  
#6 bar = 2'-9"

**BRACING NOTES**

1. All material for bracing shall be hot dip galvanized according to AASHTO M111 unless otherwise noted.
2. Two hardened washers are required for each set of oversized holes.
3. All holes shall be 1/16" φ unless otherwise noted.
4. 5/16" x 3" x 3" plate washers are required over all slotted holes.
5. All bolts shall be galvanized according to AASHTO M232.
6. Bracing shall be installed as beams are erected and tightened as soon as possible during erection.
7. Place Bracing at right angles to beams.
8. See Framing Plan on Sht. 18 of 32 for locations, designated "B".
9. Permanent bracing shall not be paid for separately but shall be included in the cost of furnishing and erecting the prestressed beams.



**PERMANENT BRACING DETAILS**

(For 54" PPC I-Beams)  
18 braces required

\* Fabricator shall locate to miss strands within permissible tolerances.

**DIAPHRAGM & BRACING  
DETAILS  
FRENCH CREEK BRIDGE  
OVER ELMORE ROAD**

DESIGNED	P.J.L.
CHECKED	LLV
DRAWN	MGM
CHECKED	P.J.L.

**AECOM**  
111 NE Jefferson Ave.  
Peoria, Illinois 61602  
Ph: 309.676.8464  
Fax: 309.676.5445  
IL Design Firm Reg.  
No. 184-001518  
www.aecom.com

HWY	SECTION	COUNTY	TOTAL SHEETS	SHEET NO.
R-15	08-00092-00-BR	PEORIA	32	13
STRUCTURE NO. 072-3147		STATION 7+27		
FED. ROAD DIST. NO. _ ILLINOIS		FED. AID PROJECT BROS-0143(049)		