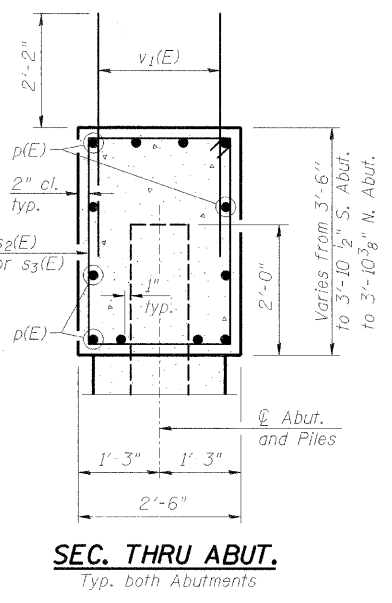
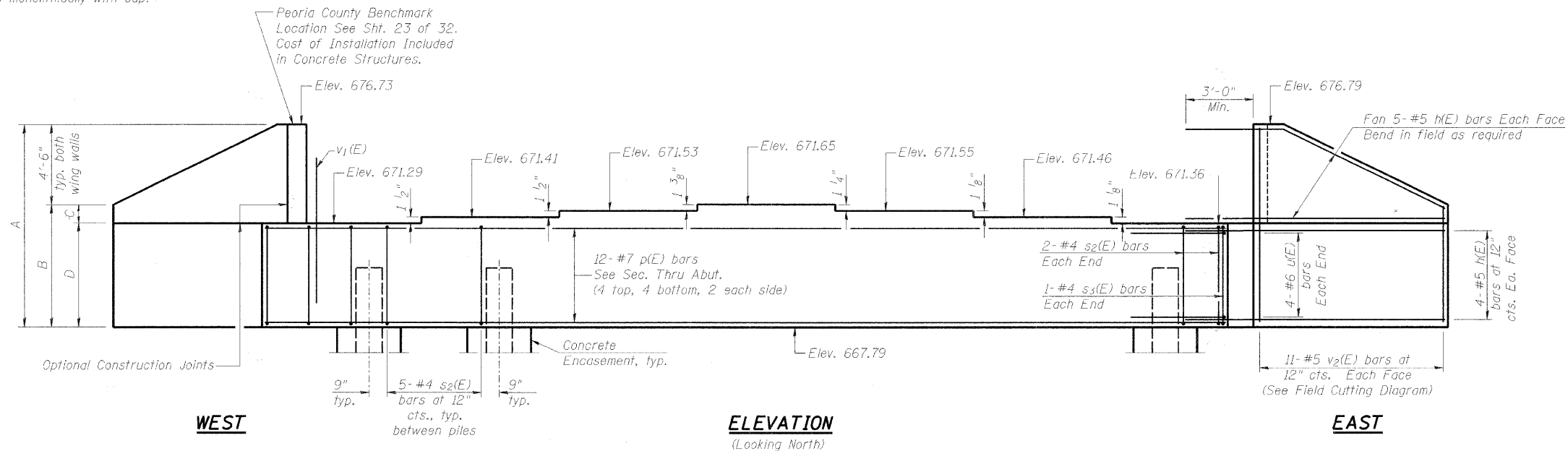
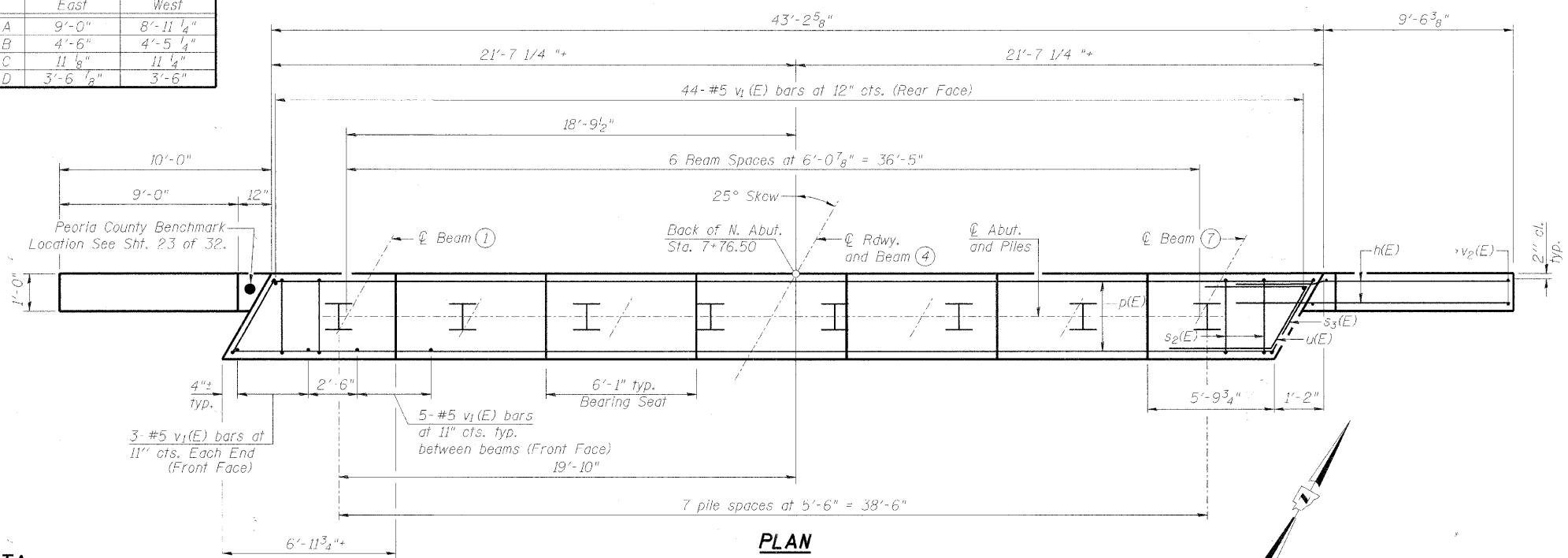


Notes: Four steps monolithically with cap.



WING WALL DIMENSIONS

	East	West
A	9'-0"	8'-11 1/4"
B	4'-6"	4'-5 1/4"
C	11 1/8"	11 1/4"
D	3'-6 1/2"	3'-6"



BILL OF MATERIAL

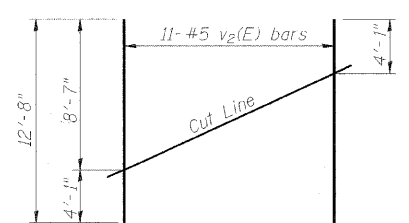
Bar	No.	Size	Length	Shape
h(E)	36	#5	14'-0"	
p(E)	12	#7	42'-10"	
s2(E)	39	#4	11'-5"	□
s3(E)	2	#4	11'-9"	□
u(E)	8	#6	9'-5"	┌
v1(E)	80	#5	4'-4"	
v2(E)	22	#5	12'-8"	
Structure Excavation		Cu. Yd.	194	
Concrete Structures		Cu. Yd.	19.6	
Reinforcement Bars, Epoxy Coated		Pound	2,650	
Furnishing Steel Piles, HP 12x53		Foot	385	
Driving Piles		Foot	385	
Pipe Underdrains for Structures, 4"		Foot	82	
Geocomposite Wall Drain		Sq. Yd.	49	
Porous Granular Embankment (Special)		Cu. Yd.	100	
Test Pile, HP 12x53		Each	1	
Concrete Encasement		Cu. Yd.	2.8	
Concrete Headwall for Pipe Drains		Each	2	

1. For Pile Details and Concrete Encasement, see Sht. 21 of 32.
 2. For Drain and Backfill Details, see Sht. 19 of 32.

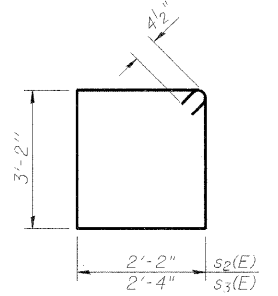
PILE DATA

Type: HP 12x53
 Nominal Required Bearing: 419 kips
 Factored Resistance Available: 209.5 kips
 Est. Length: 55 ft.
 No. Production Piles: 7
 No. Test Piles: 1

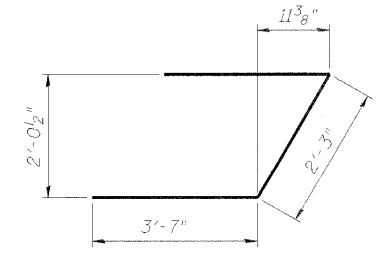
DESIGNED	P.J.L.
CHECKED	LLV
DRAWN	MGM
CHECKED	P.J.L.



FIELD CUTTING DIAGRAM
 Order v2(E) full length. Cut as shown and use remainder of bars in opposite face.
 Typ. both Abutments



BARS s2(E) & s3(E)
 Typ. both Abutments



BAR u(E)
 Typ. both Abutments

**NORTH ABUTMENT DETAILS
 ELMORE ROAD BRIDGE
 OVER FRENCH CREEK**

AECOM 111 NE Jefferson Ave. Peoria, Illinois 61602 Ph: 309.676.8464 Fax: 309.676.5445 IL Design Firm Reg. No. 184-001518 www.aecom.com	HWY	SECTION	COUNTY	TOTAL SHEETS	SHEET NO.
	R-15	08-00092-00-BR	PEORIA	32	20
	STRUCTURE NO. 072-3147		STATION 7+27		FED. ROAD DIST. NO. ILLINOIS FED. AID PROJECT BROS-01431049