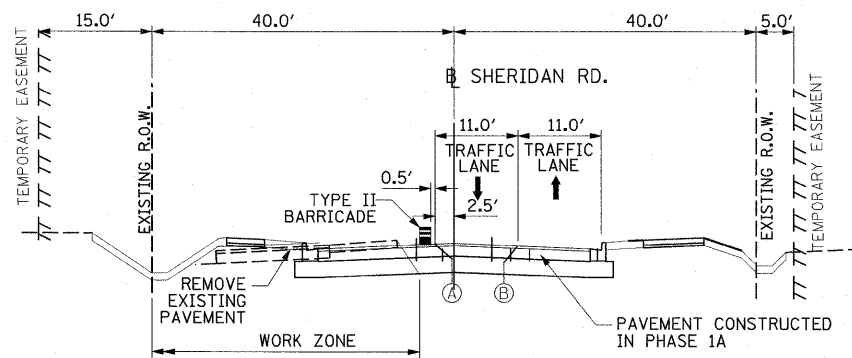


MAINTENANCE OF TRAFFIC TYPICAL SECTION

W. NORTHMOOR ROAD-PHASES 2A AND 2B

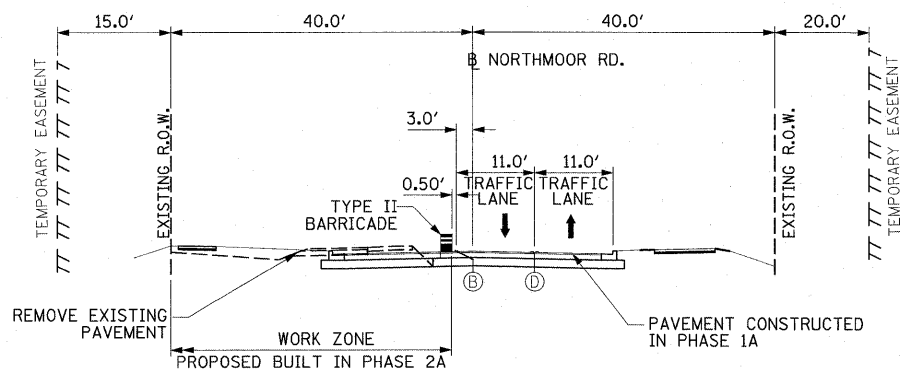
STATION 85+60.0 - STATION 89+88.9



MAINTENANCE OF TRAFFIC TYPICAL SECTION

N. SHERIDAN ROAD-PHASE 2B

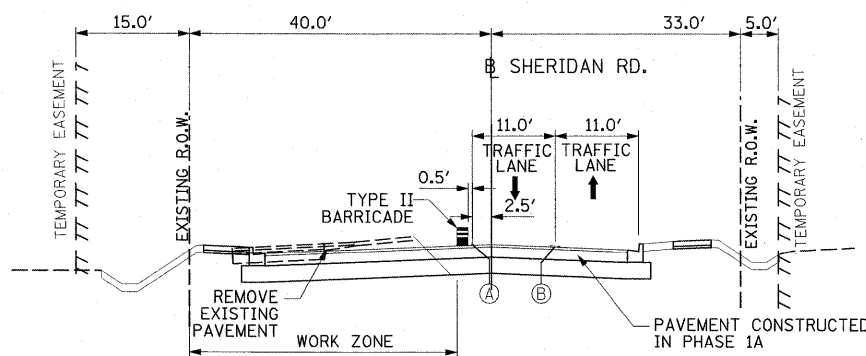
STATION 249+25.0 - STATION 252+75.0



MAINTENANCE OF TRAFFIC TYPICAL SECTION

NORTHMOOR ROAD-PHASES 2A AND 2B

STATION 90+95.6 - STATION 92+40.0



MAINTENANCE OF TRAFFIC TYPICAL SECTION

N. SHERIDAN ROAD-PHASE 2B

STATION 253+11.0 - STATION 261+78.3

SECTION NOTES:

- Ⓐ TEMPORARY PAVEMENT MARKING LINE-SOLID WHITE, 4"
- Ⓑ TEMPORARY PAVEMENT MARKING LINE-SOLID DOUBLE YELLOW, 4"

FILE NAME =	USER NAME = Ander00846	DESIGNED - LC	REVISED -	STATE OF ILLINOIS DEPARTMENT OF TRANSPORTATION	NORTHMOOR ROAD STAGE I IMPROVEMENT TYPICAL SECTIONS PHASE 2	F.A.U. RTE.	SECTION	COUNTY	TOTAL SHEETS	SHEET NO.
F:\09Jobs\09L0027\CADD\Road\Sheet\03.2206_S1_MOT_Typsec_2.dgn		DRAWN - LC/SV	REVISED -			6647	08-00302-00-TL	PEORIA	102	31
PLOT SCALE = 50,000' / in.		CHECKED - DO/CF	REVISED -			09-00047-02-TL		CONTRACT NO. 89523		
PLOT DATE = 03/22/2010		DATE - 03-18-10	REVISED -			FED. ROAD DIST. NO.		ILLINOIS FED. AID PROJECT		M-5093(138)