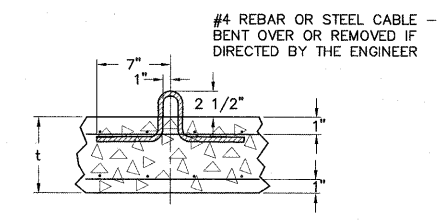


SECTION A-A

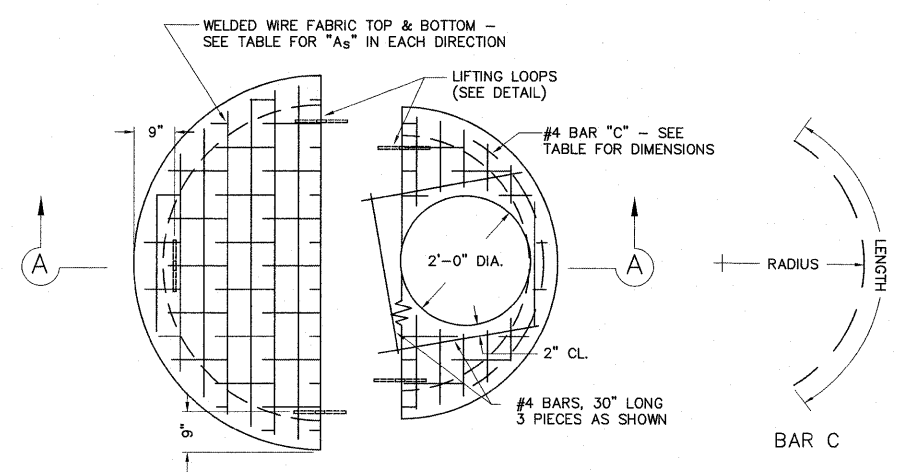
SECTION B-B



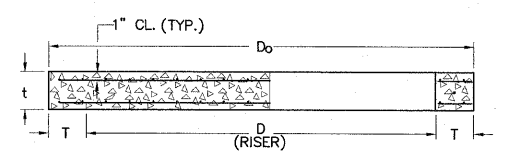
LIFTING LOOP DETAIL

DIAMETER OF MAIN SEWER	D	T	D _b	t	REINFORCEMENT	
					A _s W W F	BAR "C"
					EA. DIRECTION	LENGTH RADIUS
18" OR LESS	4'-0"	5"	4'-10"	6"	.70 SQ. IN./LIN. FT.	4'-6" 2'-2"
21" TO 42"	5'-0"	6"	6'-0"	8"	.70 SQ. IN./LIN. FT.	5'-0" 2'-8"
AS SPECIFIED	6'-0"	6"	7'-0"	8"	1.06 SQ. IN./LIN. FT.	6'-0" 3'-2"

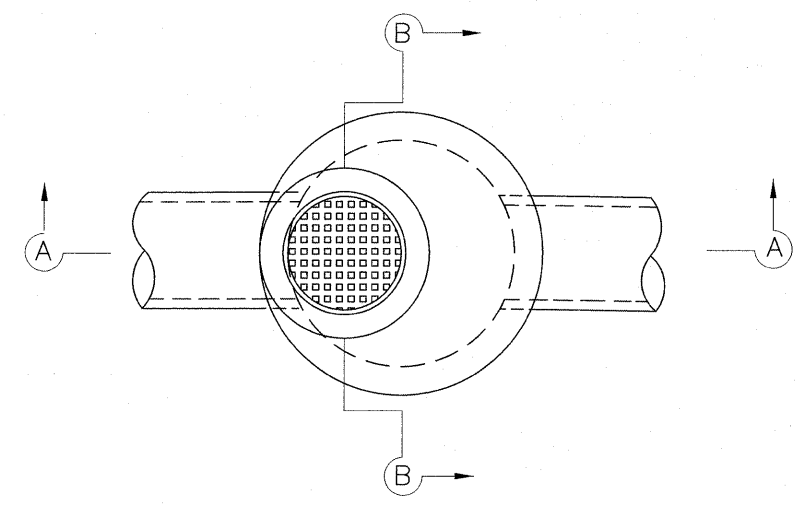
DIMENSION TABLE



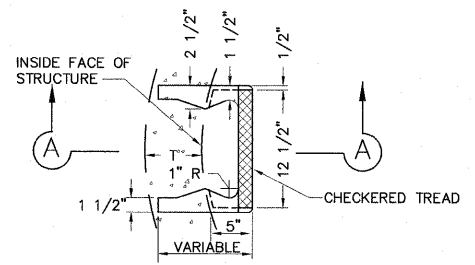
PRECAST REINFORCED CONCRETE FLAT SLAB TOP (4', 5' & 6' DIA.)



SECTION A-A



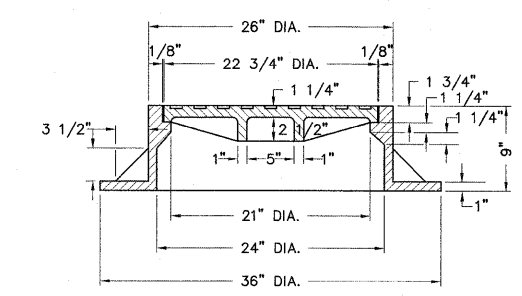
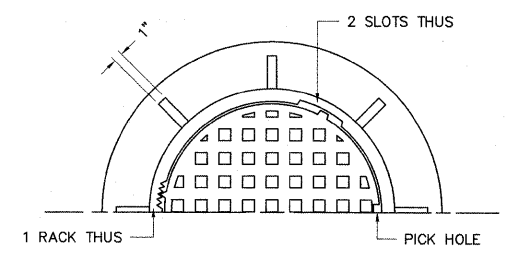
PLAN
CITY STANDARD MANHOLE
(4', 5' & 6" DIAMETERS)



SECTION A-A

CAST IRON STEPS SHALL BE GRAY IRON CONFORMING TO THE REQUIREMENTS OF ARTICLE 706.14 OF THE STANDARD SPECIFICATIONS.

CAST IRON STEPS



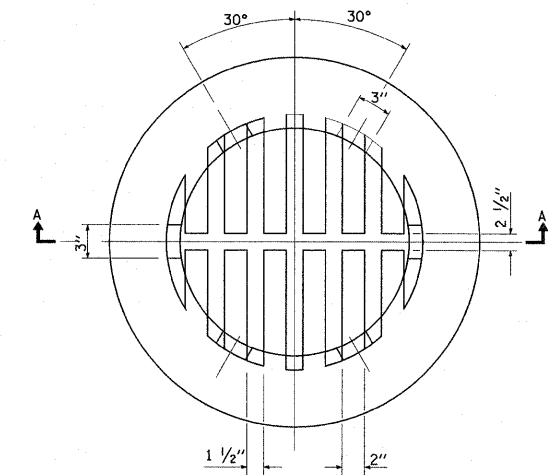
WEIGHT OF FRAME = 390 LBS.
WEIGHT OF LID = 150 LBS.
TOTAL WEIGHT = 540 LBS.

MANHOLE FRAME & LID, TYPE 1

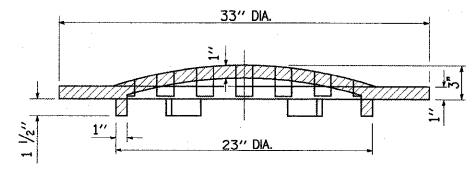
CITY STANDARD NO. 45
NON-ROCKING TYPE
NEENAH R-1015 OR EQUAL

GENERAL NOTES

ALL CONCRETE USED FOR CONSTRUCTION OF THE MANHOLE SHALL BE CLASS SI CONCRETE.
THIS ITEM SHALL INCLUDE THE MANHOLE (4', 5' OR 6" DIAMETER), COMPLETE, IN PLACE AS INDICATED HEREIN, INCLUDING CASTINGS, PRECAST REINFORCED CONCRETE MANHOLE SECTIONS, REINFORCING BARS, STEPS, ADJUSTING COURSES, CLASS SI CONCRETE, TRENCH BACKFILL AND ALL EXCAVATION.
ARTICLE 602.15 OF THE SPECIFICATIONS SHALL NOT APPLY, THIS ITEM SHALL BE PAID FOR AT THE CONTRACT UNIT PRICE FOR CITY STD. MANHOLE (4', 5' OR 6" DIA.), AS SPECIFIED, WHICH SHALL BE PAYMENT IN FULL FOR ALL LABOR, MATERIALS, TOOLS AND EQUIPMENT NECESSARY TO CONSTRUCT THIS ITEM AS INDICATED.



CAST GRATE



SECTION A-A

GRATE TYPE 8