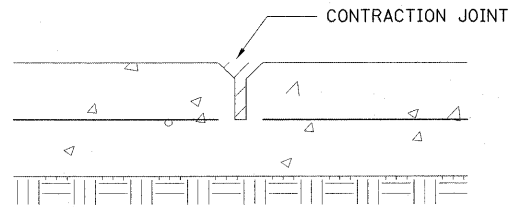
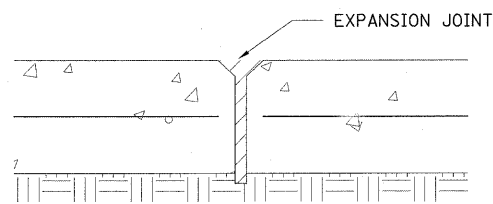


1/2" x 1-1/2" JOINT SHALL BE TOOLED AND SAWED TO A DEPTH OF 1-1/2" AND A BEAD OF ONE PART SELF LEVELING URETHANE SEALANT INSTALLED TO LEVEL OF SURFACE.



SECTION A-A  
CONTRACTION JOINT

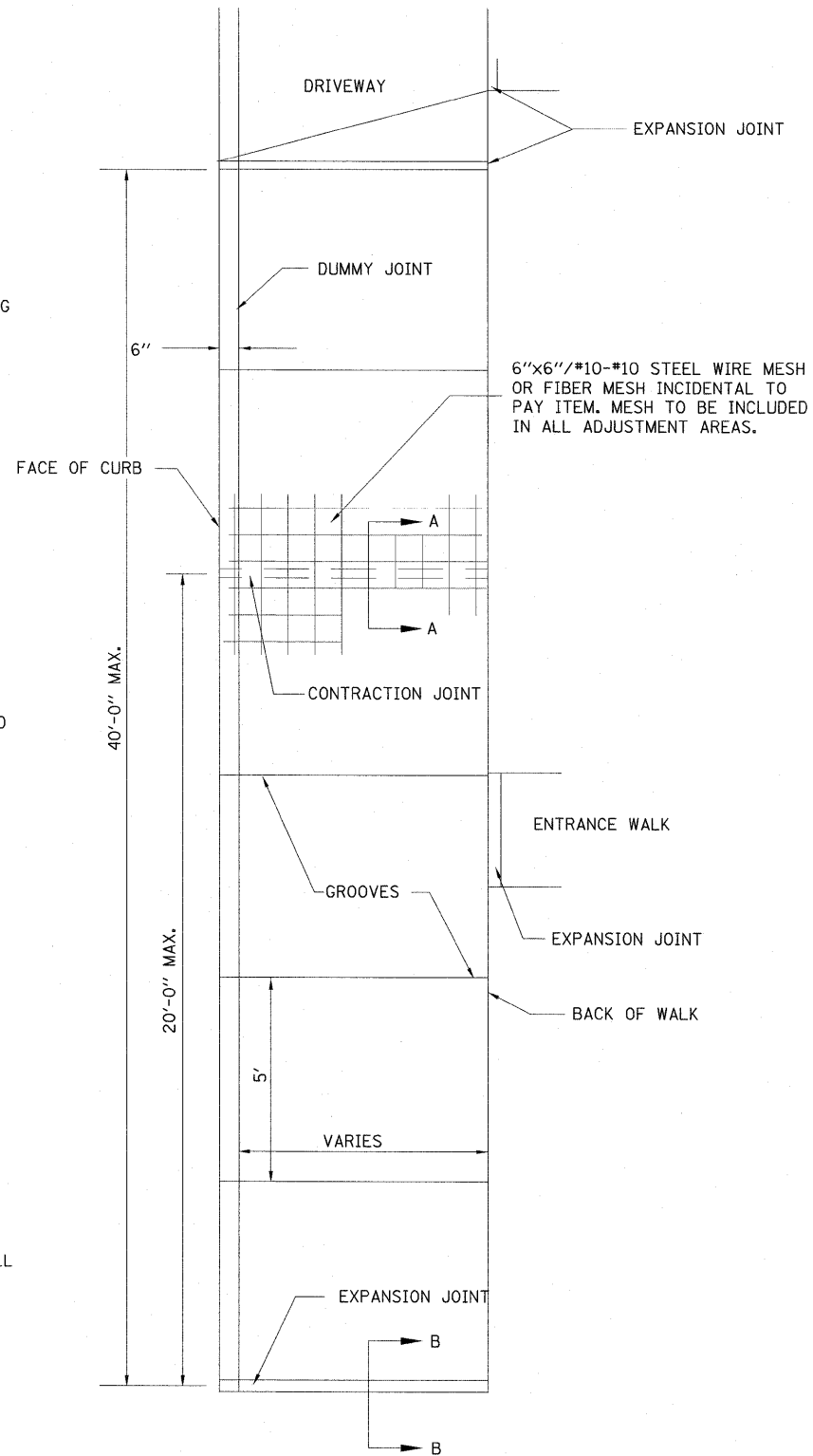
1/2" THICK PREFORMED JOINT FILLER SHALL BE INSTALLED 1/2" BELOW SURFACE OF SIDE WALK AND A BEAD OF ONE PART SELF LEVELING URETHANE SEALANT INSTALLED TO LEVEL OF SURFACE.



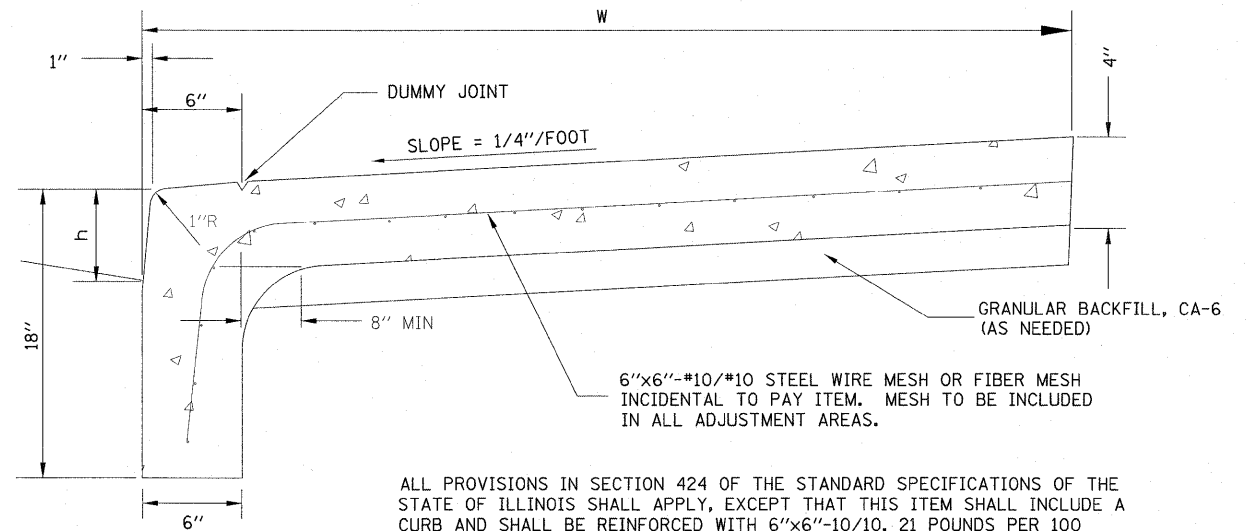
SECTION B-B  
EXPANSION JOINT

**NOTES:**

- CONTRACTION JOINTS SHALL BE SPACED SO THAT THE DISTANCE TO EXPANSION JOINTS ON EITHER SIDE SHALL NOT EXCEED 20 FEET. MAXIMUM DISTANCE BETWEEN EXPANSION JOINTS SHALL NOT EXCEED 40 FEET.
- THESE JOINT DETAILS SHALL APPLY TO COMBINATION CONCRETE CURB & GUTTER, TYPE B; P.C.C. CURB, (6"x18"), AND P.C.C. GUTTER FLAG.



CONTRACTION AND EXPANSION JOINT DETAIL



ALL PROVISIONS IN SECTION 424 OF THE STANDARD SPECIFICATIONS OF THE STATE OF ILLINOIS SHALL APPLY, EXCEPT THAT THIS ITEM SHALL INCLUDE A CURB AND SHALL BE REINFORCED WITH 6"x6"-10/10, 21 POUNDS PER 100 SQUARE FEET STEEL WIRE MESH AS INDICATED ON THE PLANS. UPON APPROVAL OF THE ENGINEER, THE MESH MAY BE OMITTED IF THE CONTRACTOR USES CLASS PV CONCRETE CONTAINING THE REQUIRED AMOUNT OF "FIBERMESH" ADDITIVE.

THE METHOD OF MEASUREMENT SHALL BE THE TOTAL AREA OF THE WALK IN SQUARE FEET PLUS THE AREA OF THE EXPOSED FACE OF THE CURB IN SQUARE FEET.

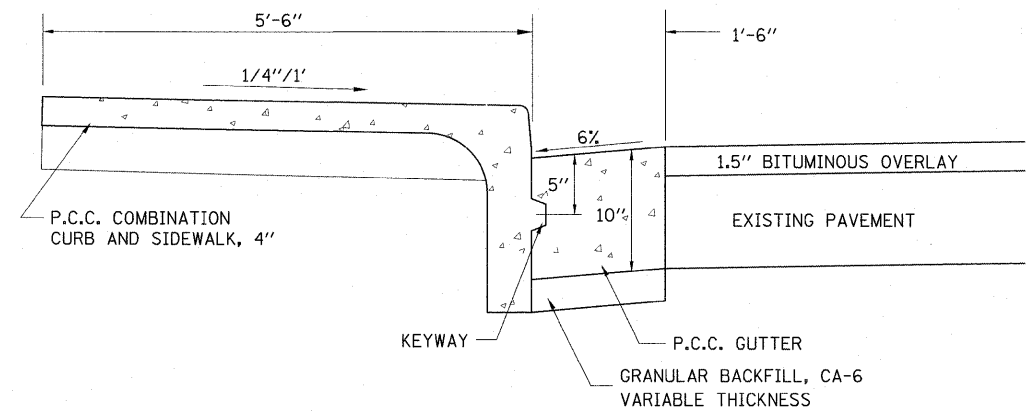
COMBINATION CONCRETE CURB AND SIDEWALK, 4", SHALL BE PAID FOR AT THE CONTRACT UNIT PRICE SQUARE FEET AND SHALL BE PAYMENT IN FULL FOR ALL MATERIALS (INCLUDING THE WIRE OR FIBER MESH), EQUIPMENT AND LABOR NECESSARY TO CONSTRUCT THIS ITEM.

**MEASUREMENT FORMULA**

$$(w+h) \times \text{LENGTH CONSTRUCTION} = \text{PAYMENT AREA}$$

STANDARD SIDEWALK WIDTH (w) SHALL BE 5'-6" AND STANDARD CURB HEIGHT (h) SHALL BE 6" UNLESS OTHERWISE DETERMINED BY THE ENGINEER.

**P.C.C. COMBINATION CURB AND SIDEWALK, 4"**



P.C.C. GUTTER FLAG

**NOTES**

- SEE CONTRACTION AND EXPANSION JOINT DETAIL - COMBINATION CONCRETE CURB AND SIDEWALK, 4" FOR JOINT REQUIREMENTS

FILE NAME = I:\09Jobs\09L0027\CADD\Road\Sheet\c-508.dgn	USER NAME = Ander-00946	DESIGNED - MPB	REVISED -	<b>STATE OF ILLINOIS DEPARTMENT OF TRANSPORTATION</b>	<b>MISCELLANEOUS DETAILS</b>	F.A. RTE.	SECTION	COUNTY	TOTAL SHEETS	SHEET NO.
PLOT SCALE = 5,0000 ' / 1".	DRAWN - RLA	CHECKED - CAL	REVISED -			6647	08-00302-00-TL	PEORIA	102	76
PLOT DATE = 03/22/2010	DATE - 03/19/10	REVISED -	REVISED -			6595	09-00047-02-TL			
						SCALE: N.T.S.		SHEET NO. OF SHEETS	STA. TO STA.	FED. ROAD DIST. NO. ILLINOIS FED. AID PROJECT M-5093(138)