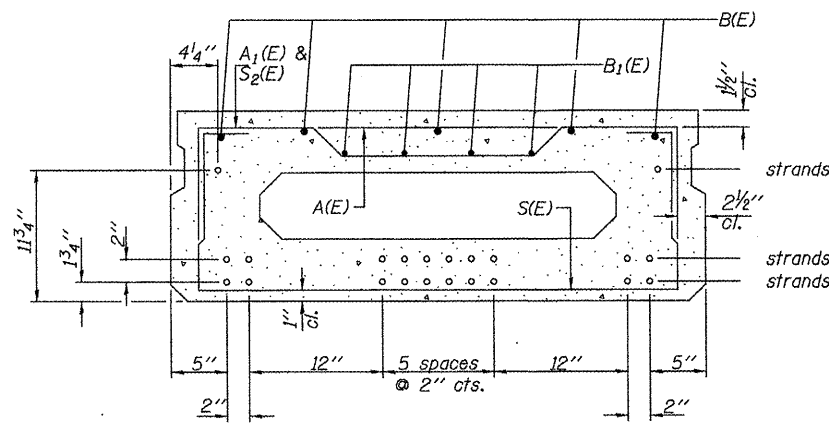
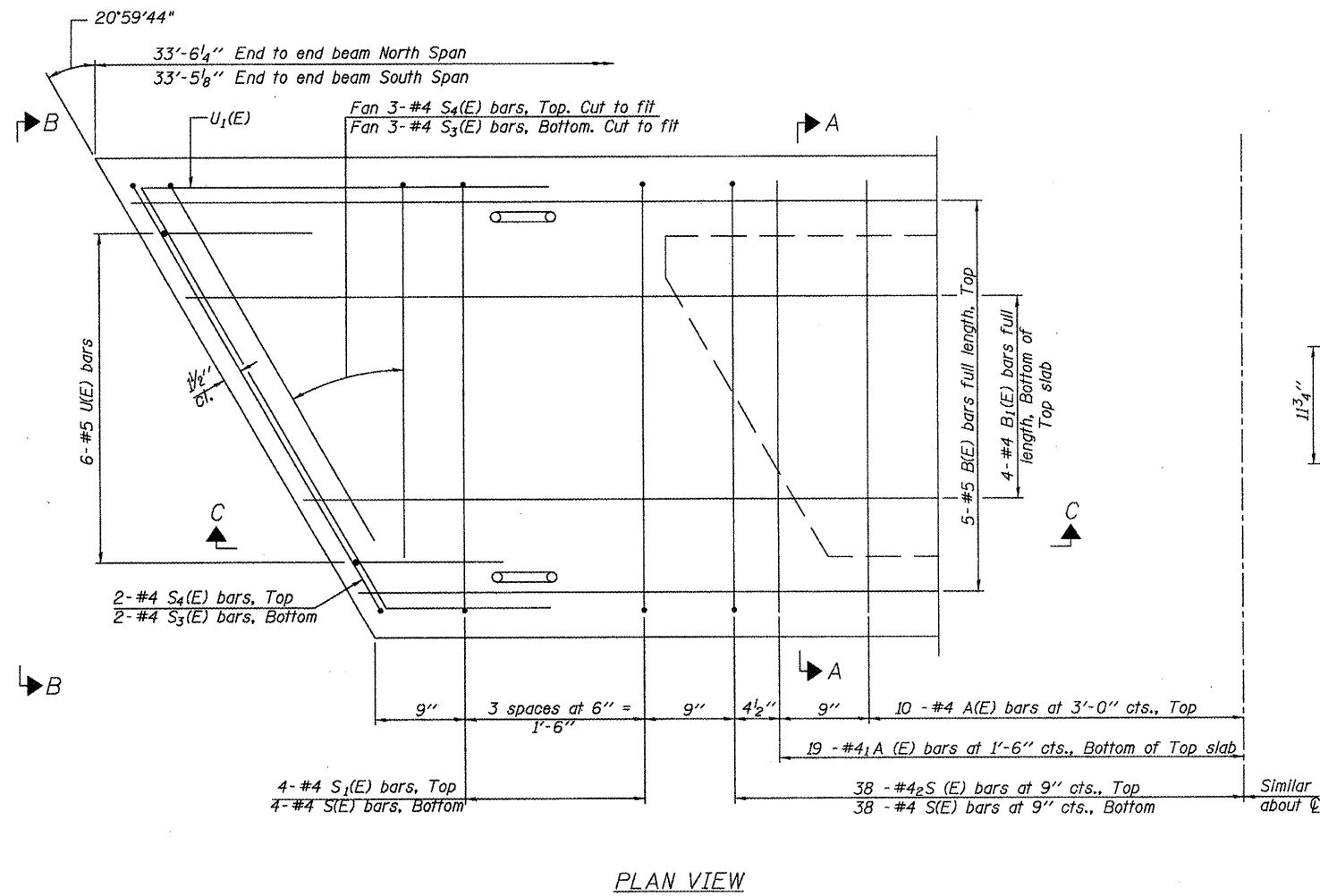
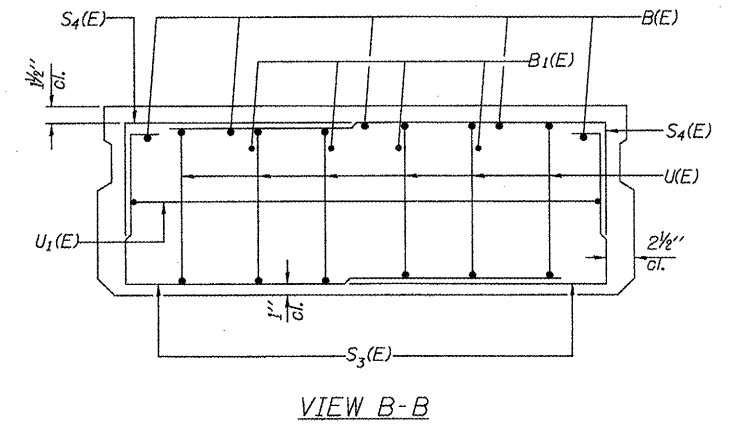
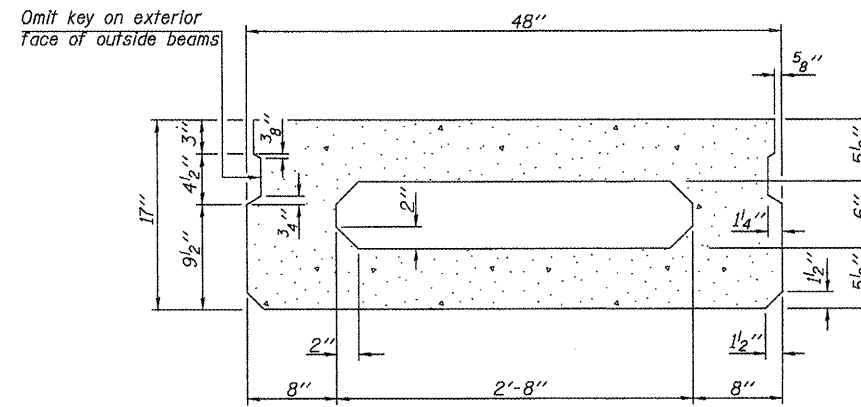
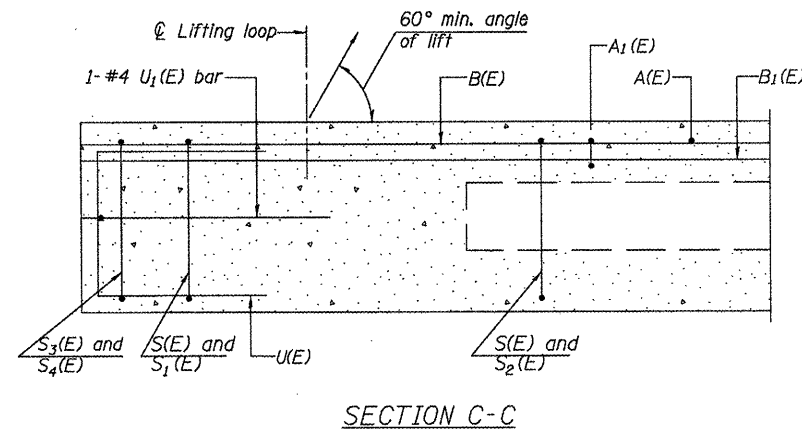


STATE OF ILLINOIS  
DEPARTMENT OF TRANSPORTATION

F.A.U. RTE.	SECTION	COUNTY	TOTAL SHEETS	SHEET NO.
6791	07-00401-25-BR	KNOX	18	11
STA. 44+90.00		TO STA. 47+77.20		
FED. ROAD DIST. NO. -		ILLINOIS FED. AID PROJECT		
Bridge Sheet 7 of 14 Sheets				BRM-5025(045) CONTRACT NO. 89557



Note: Place the number of strands specified in each row symmetrically about the centerline of beam in the permissible strand locations shown.

BAR LIST  
ONE BEAM ONLY  
(For information only)

Bar No.	Size	Length	Shape
A(E)	#4	3'-7"	—
A1(E)	#4	3'-10"	—
B(E)	#5	33'-2"	—
B1(E)	#4	33'-2"	—
S(E)	#4	6'-9"	□
S1(E)	#4	5'-3"	□
S2(E)	#4	5'-6"	□
S3(E)	#4	5'-5"	□
S4(E)	#4	4'-8"	□
U(E)	#5	3'-8"	□
U1(E)	#4	7'-8 1/2"	□

Note: See sheet of for additional details and Bill of Material.

MINIMUM BAR LAP

#4 bar = 2'-0"  
#5 bar = 2'-6"

Note: Spacing of S(E) and S2(E) bars may be adjusted up to 4" in the immediate area of the transverse tie diaphragms to miss the block outs for the transverse ties.

PD-1748-R

11-1-09

REVISIONS	
NAME	DATE

ILLINOIS DEPARTMENT OF TRANSPORTATION  
17'x48" PPC DECK BEAM DETAILS II  
S. HENDERSON STREET OVER CEDAR CREEK  
SECTION 07-00401-25-BR  
CITY OF GALESBURG, KNOX COUNTY  
STA. 45+55.80 S.N. 048-0024

SCALE: VERT. NONE, HORIZ. NONE.  
DATE: 08/28/2009

DRAWN BY: BCB  
DESIGNED BY: PETERSON  
CHECKED BY: PETERSON

**Bruner, Cooper & Zuck, Inc.**  
Consulting Engineers Structural Engineers Land Surveyors  
Phone: (309) 343-9282 188 East Simons Street PROFESSIONAL DESIGN FIRM  
October, Illinois 61402 LS/PE/SE CORP. 194-002633  
E-Mail: bcz@brunercopco.com

JOB NO. 290067 FILE NAME: PD-1748-R.DGN