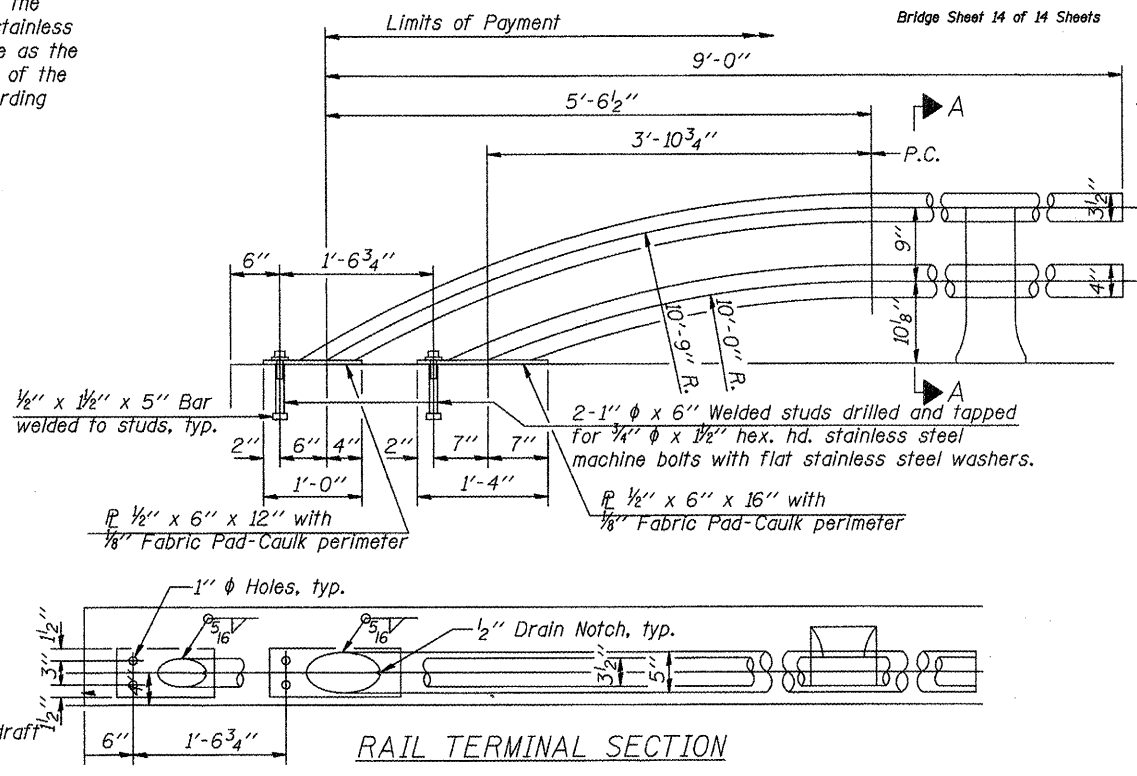
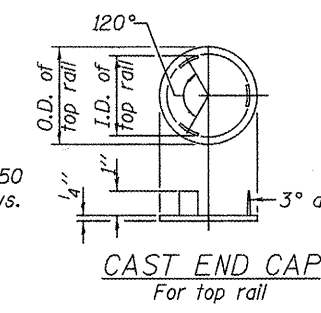
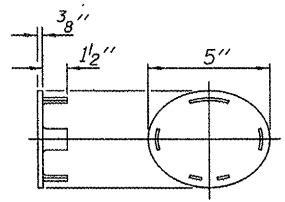
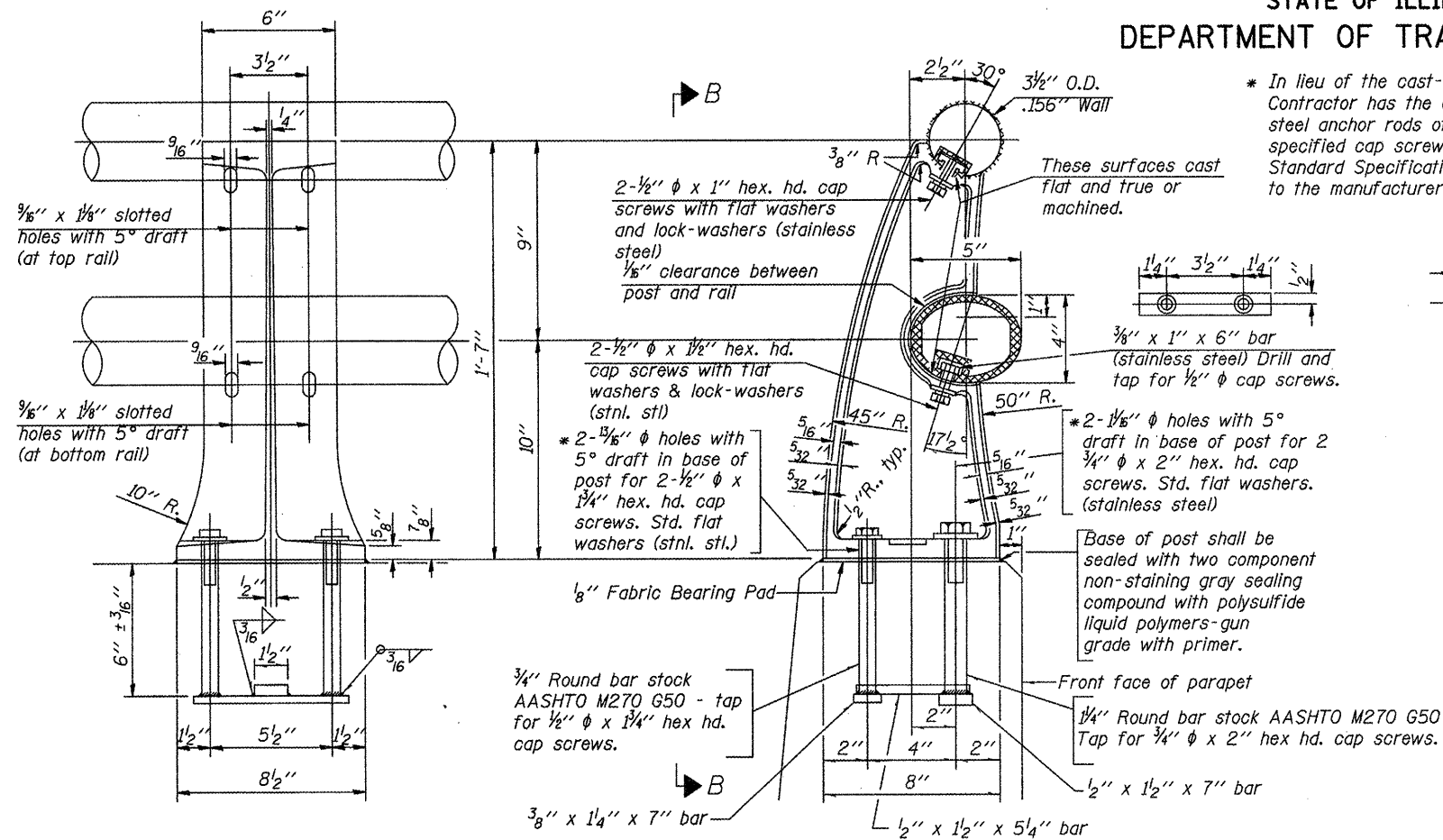


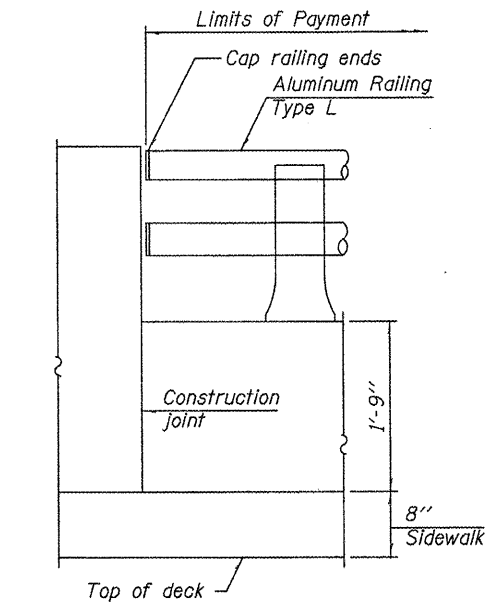
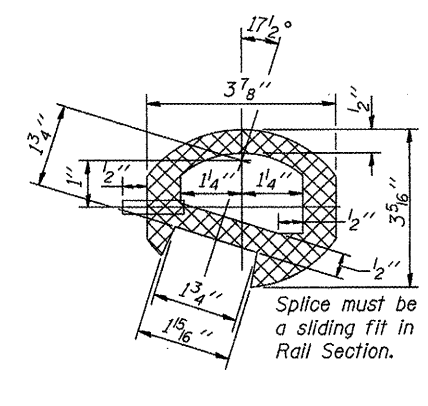
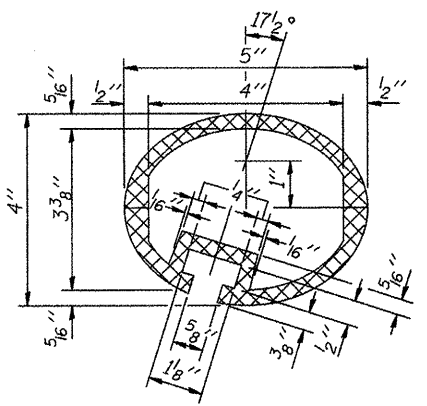
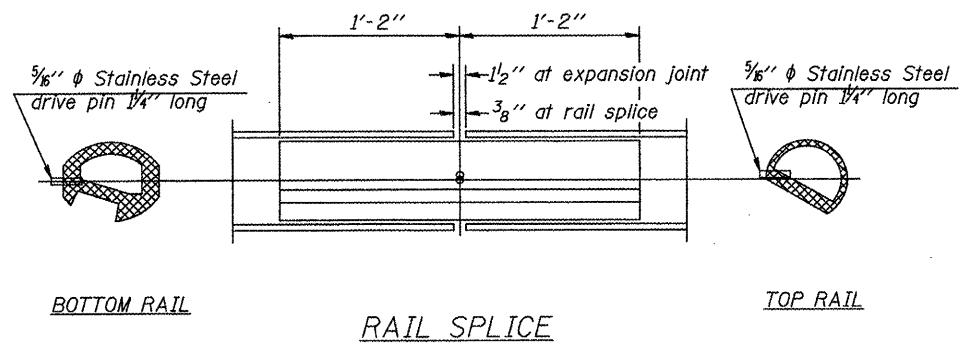
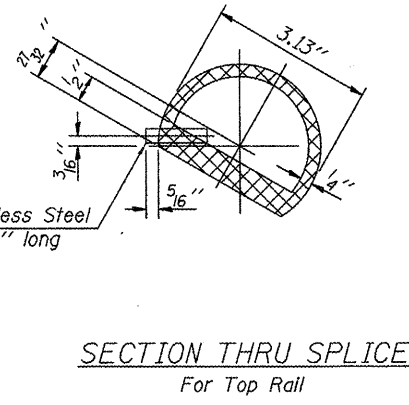
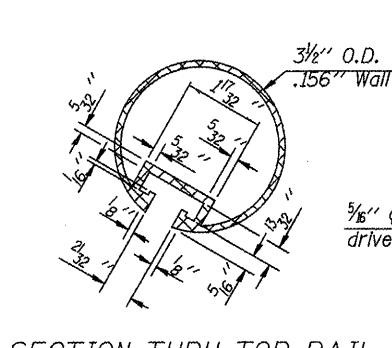
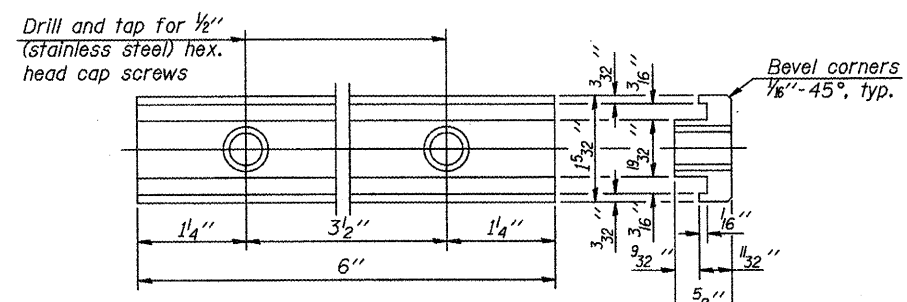
STATE OF ILLINOIS
DEPARTMENT OF TRANSPORTATION

F.A.I.I. RTE.	SECTION	COUNTY	TOTAL SHEETS	SHEET NO.
6791	07-00401-25-BR	KNOX	18	18
STA. 44+90.00		TO STA. 47+77.20		
FED. ROAD DIST. NO. -		ILLINOIS	FED. AID PROJECT	
Bridge Sheet 14 of 14 Sheets				
				BRM-5025(045)
CONTRACT NO. 89557				

* In lieu of the cast-in-place anchor device shown, the Contractor has the option of drilling and setting stainless steel anchor rods of the same diameter and grade as the specified cap screws according to Article 509.06 of the Standard Specifications. Embedment shall be according to the manufacturer's specifications.



Note:
The end rail post shall be set back as required for the terminal rail section.



BILL OF MATERIAL

Item	Unit	Quantity
Aluminum Railing, Type L	Foot	123

ALUMINUM RAILING, TYPE L

Notes:
All Posts shall be normal to parapet.
All joints in rail shall be spliced per detail.
All exposed rail ends shall be capped per detail.
Provide 1-1/8" and 2-1/8" Aluminum Shims for 25% of the Posts. Rail elements shall be parallel to Grade-high spots will be ground and low spots shimmed.
See sheet of for rail post spacing.

ILLINOIS DEPARTMENT OF TRANSPORTATION

RAIL DETAILS

S. HENDERSON STREET OVER CEDAR CREEK
SECTION 07-00401-25-BR
CITY OF GALESBURG, KNOX COUNTY
STA. 45+55.80 S.N. 048-0024

SCALE: VERT. NONE
HORIZ. NONE
DATE: 08/28/2009

DRAWN BY: BCB
DESIGNED BY: PETERSON
CHECKED BY: PETERSON

Bruner, Cooper & Zuck, Inc.
Consulting Engineers
108 East Simons Street
Galesburg, Illinois 61402
Phone: (309) 343-9282
Fax: (309) 343-9232
E-Mail: bcb@bczengr.com

Structural Engineers
Land Surveyors
PROFESSIONAL DESIGN FIRM
LICENSE NO. 048-0024

JOB NO. 290067
FILE NAME: RAILING.DGN

REVISIONS

NAME	DATE