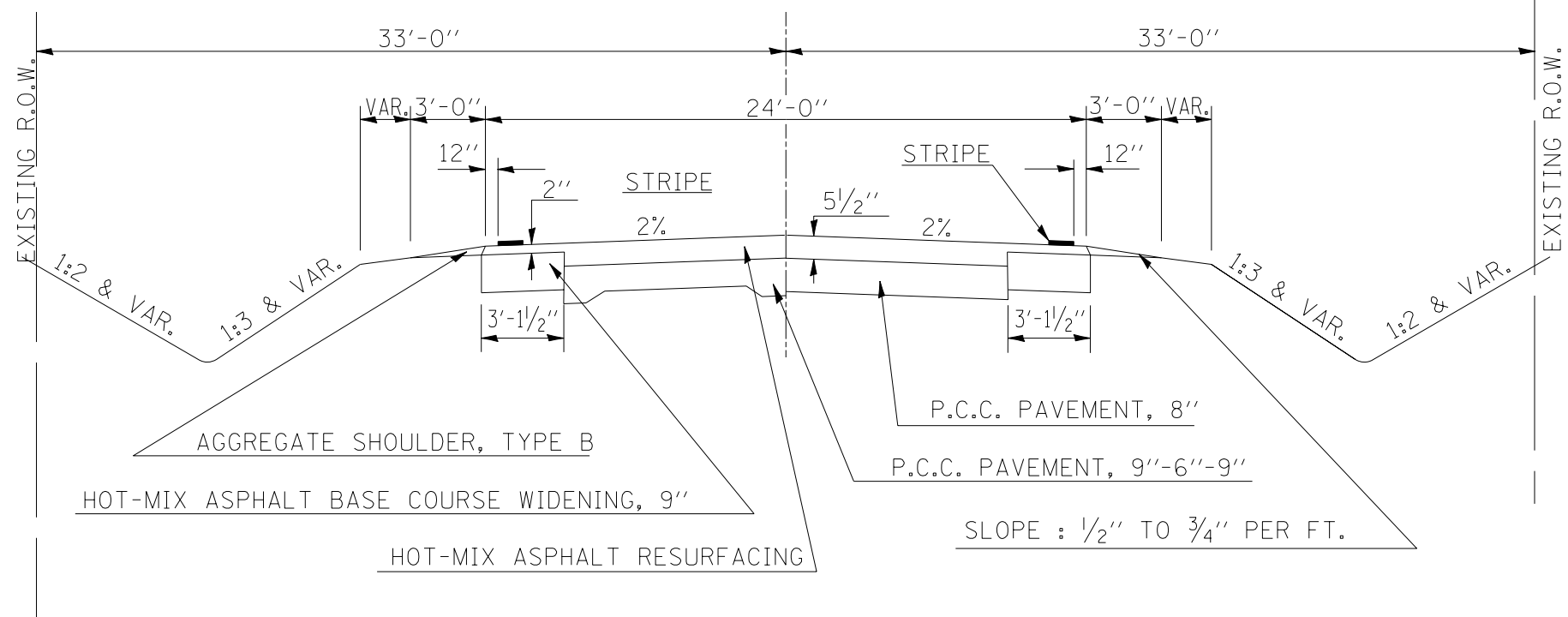


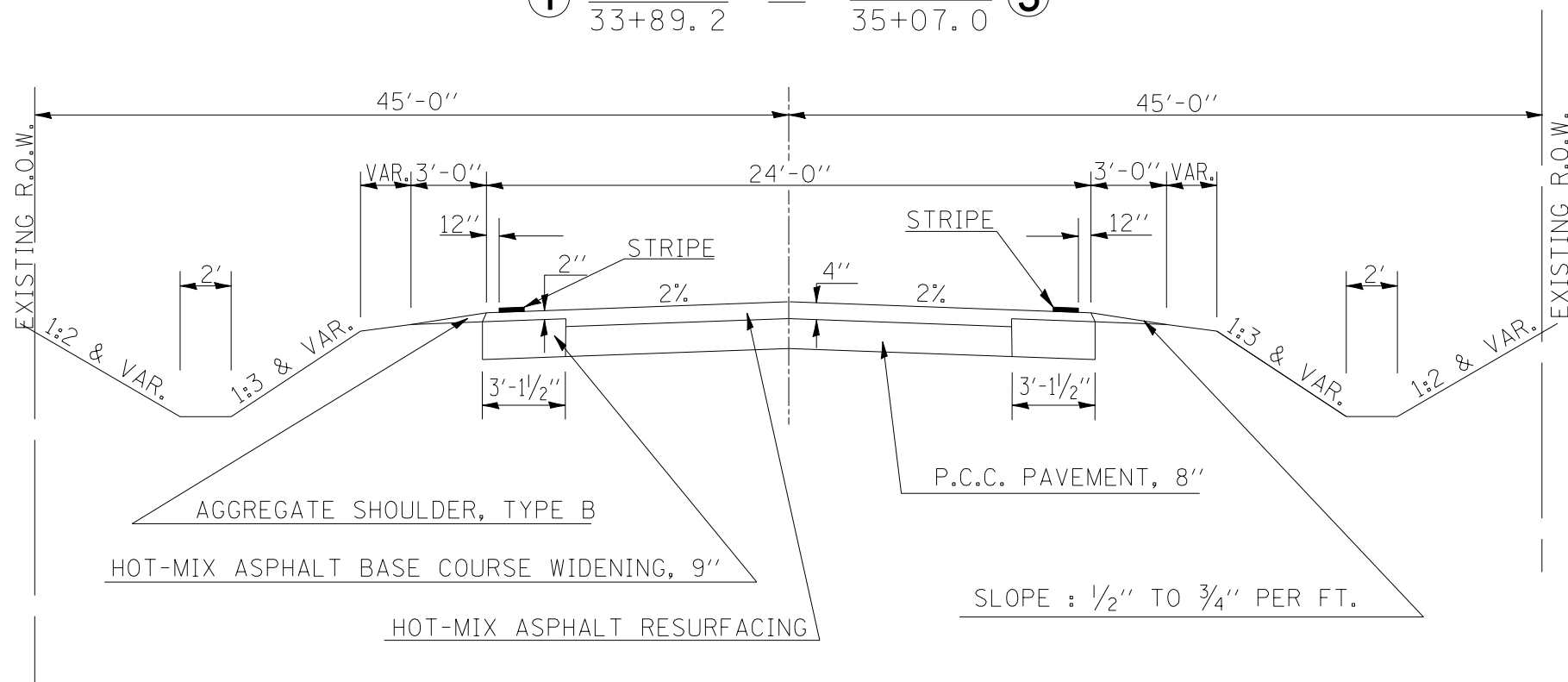
EXISTING TYPICAL CROSS SECTION ①

STATION 11+18.21 TO STATION 33+89.2 ②



EXISTING TYPICAL CROSS SECTION ②

① STATION 33+89.2 TO STATION 35+07.0 ③



FILE NAME =	USER NAME = leroyma	DESIGNED -	REVISED -
ct:\pw_work\pwidot\leroyma\d0175388\d9500698.dgn		DRAWN -	REVISED -
PLOT SCALE = 40.0251' / IN.		CHECKED -	REVISED -
PLOT DATE = 3/8/2010		DATE -	REVISED -

STATE OF ILLINOIS
DEPARTMENT OF TRANSPORTATION

EXISTING TYPICAL CROSS SECTIONS

SCALE: SHEET NO. OF SHEETS STA. TO STA.

F.A. RTE.	SECTION	COUNTY	TOTAL SHEETS	SHEET NO.
812	(25,24)RS-1	PIATT	28	5
CONTRACT NO. 90915				
ILLINOIS FED. AID PROJECT				