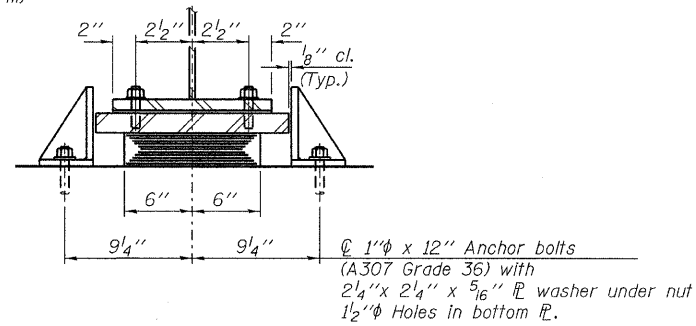
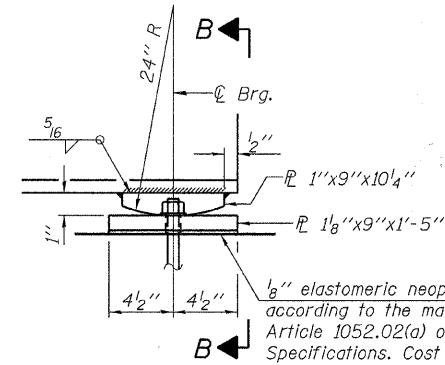


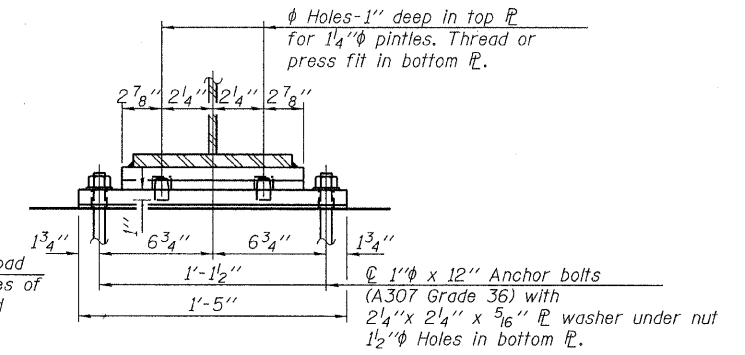
ELEVATION AT PIER



SECTION A-A



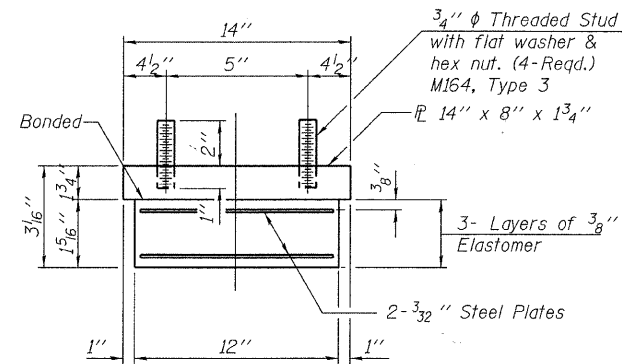
ELEVATION AT ABUT.



SECTION B-B

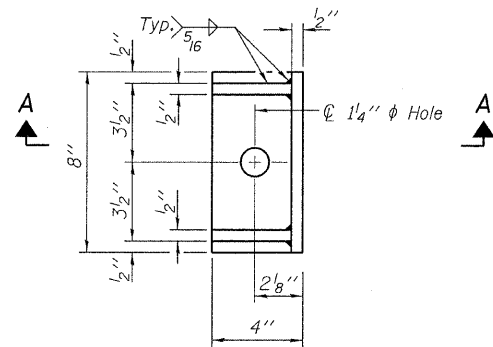
TYPE I ELASTOMERIC EXP. BRG.

FIXED BEARING

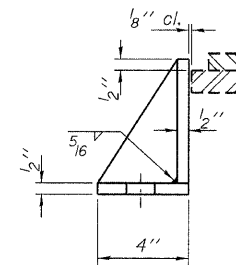


BEARING ASSEMBLY

Note:
Shim plates shall not be placed under Bearing Assembly.

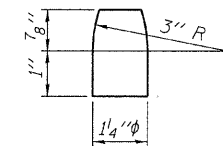


PLAN



SECTION A-A

Notes:
Anchor bolts shall be ASTM F1554 all-thread (or an Engineer-approved alternate material) of the grade(s) and diameter(s) specified. ASTM A307 Grade C anchor bolts may be used in lieu of ASTM F1554 Grade 36 (Fy=36ksi). The corresponding specified grade of AASHTO M314 anchor bolts may be used in lieu of ASTM F1554.
Anchor bolts at fixed bearings may be either cast in place or installed in holes drilled after the supported member is in place.
Drilled and set anchor bolts shall be installed according to Article 521.06 of the Standard Specifications.
All steel members required for the bearing assembly shall be included in the cost of Elastomeric Bearing Assembly, Type I.



PINTLE

BILL OF MATERIAL

| Item | Unit | Total |
|-------------------------------------|------|-------|
| Elastomeric Bearing Assembly Type I | Each | 10 |
| Anchor Bolts, 1" | Each | 40 |

BEARING DETAILS
STRUCTURE NO. 005-3006

| |
|-------------------|
| DESIGNED - A.S.L. |
| CHECKED - S.W.M. |
| DRAWN - D.A.B. |
| CHECKED - S.W.M. |

I-2E-1

10-1-08

HAMPTON, LENZINI & RENWICK, INC.
CIVIL & STRUCTURAL ENGINEERS
LAND SURVEYORS

HLR 3085 STEVENSON DRIVE, SUITE 201
SPRINGFIELD, ILLINOIS 62703
(217) 546-3400

PROJECT NUMBER: 08.0204.130 DATE: 04/09/10

| C.H. | SECTION | COUNTY | TOTAL SHEETS | SHEET NO. |
|---------------------|----------------|---|--------------|--------------------|
| 3A | 05-00065-00-BR | BROWN | 24 | 19 |
| | | | | CONTRACT NO. 93509 |
| FED. ROAD DIST. NO. | | ILLINOIS FED. AID PROJECT ARA 1583(103) | | |