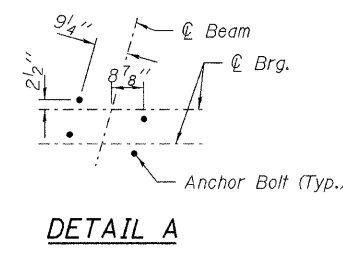
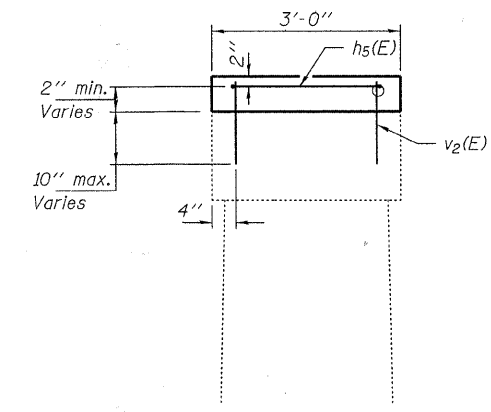


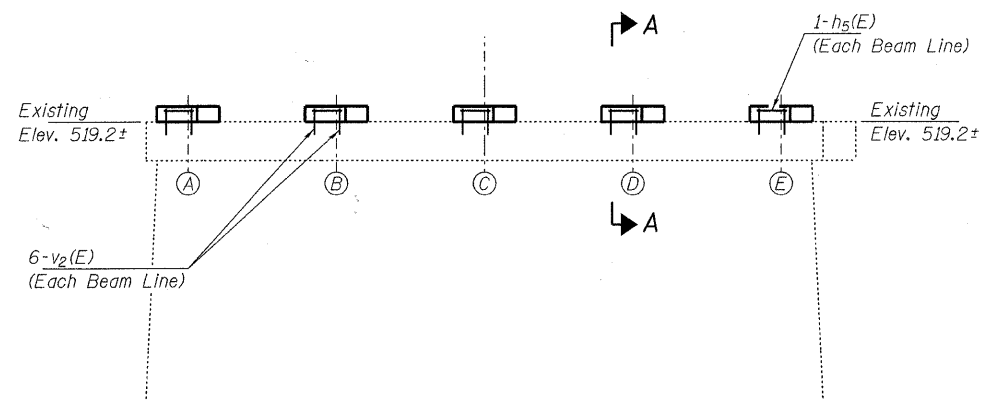
PLAN



DETAIL A



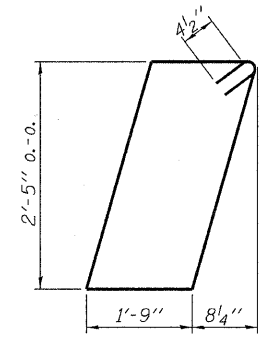
SECTION A-A



ELEVATION
(Looking South)

BEARING SEAT ELEVATIONS

LINE	ELEVATION
A	519.50
B	519.61
C	519.73
D	519.61
E	519.50



BARS h5(E)

BILL OF MATERIAL

BAR	NO.	SIZE	LENGTH	SHAPE
h5(E)	5	#4	9'-1"	
v2(E)	30	#4	1'-0"	
Concrete Structures			Cu. Yd.	0.5
Reinforcement Bars, Epoxy Coated			Pound	50

Reinforcement bars designated (E) shall be epoxy coated.

DESIGNED - A.S.L.
CHECKED - S.W.M.
DRAWN - D.A.B.
CHECKED - S.W.M.

**PIER
STRUCTURE NO. 005-3006**

 HAMPTON, LENZINI & RENWICK, INC. CIVIL & STRUCTURAL ENGINEERS LAND SURVEYORS 3085 STEVENSON DRIVE, SUITE 201 SPRINGFIELD, ILLINOIS 62703 (217) 546-3400	C.H.	SECTION	COUNTY	TOTAL SHEETS	SHEET NO.
	3A	05-00065-00-BR	BROWN	24	24
PROJECT NUMBER: 08 0204.130			DATE: 04/09/10		
FED. ROAD DIST. NO.		ILLINOIS	FED. AID PROJECT ARA 1583(103)		
CONTRACT NO. 93509					