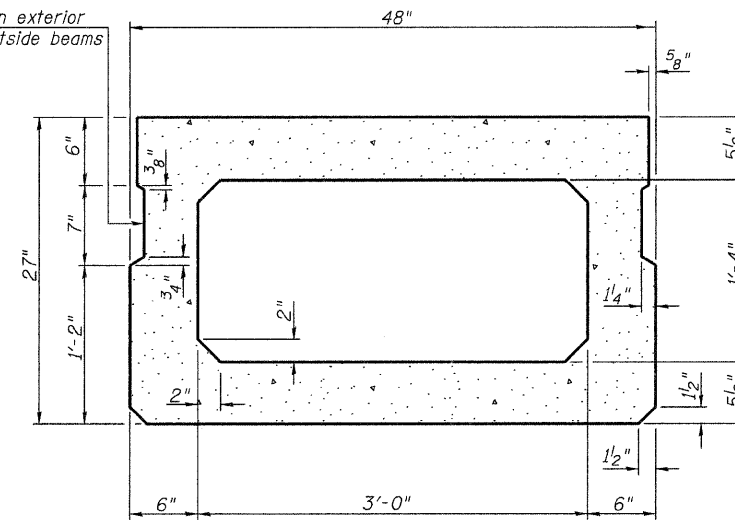
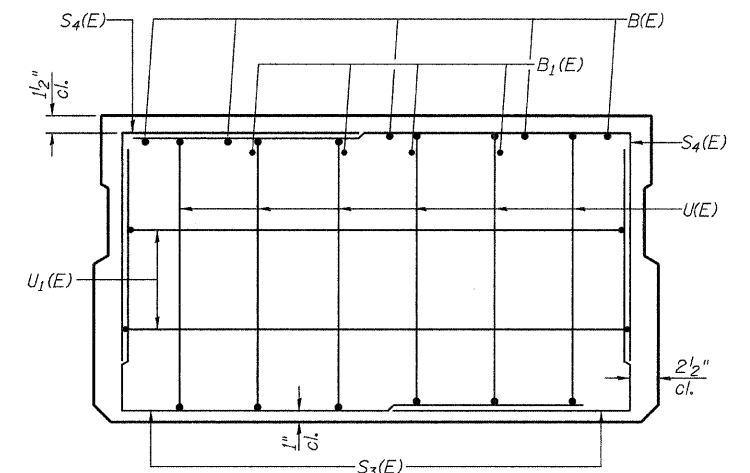


SECTION C-C

**Omit key on exterior face of outside beams

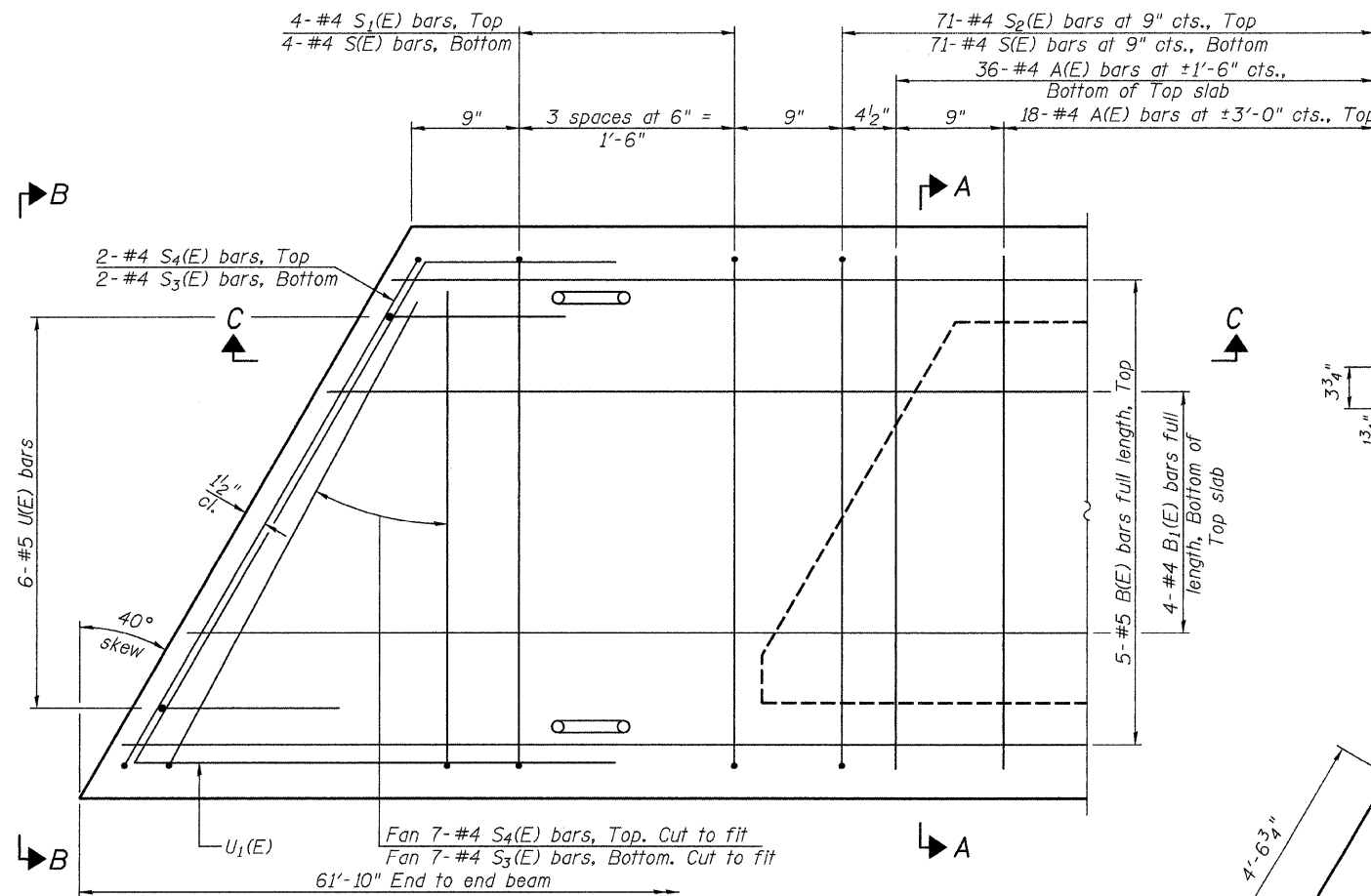


SECTION A-A
(Showing dimensions)



VIEW B-B

***Roll post anchor devices (Sheet 4 of 7) to be cast into exterior face of outside beams.

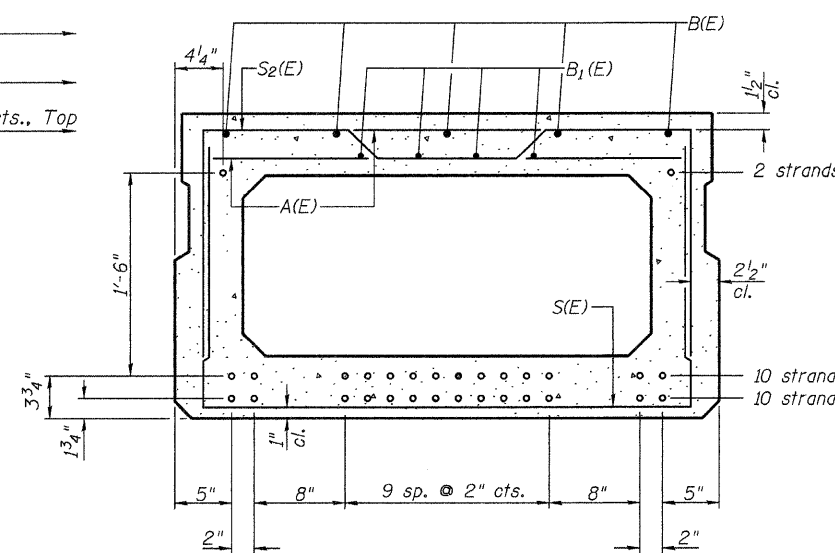


PLAN VIEW

Note: Spacing of S(E) and S2(E) bars may be adjusted up to 4" in the immediate area of the transverse tie diaphragms to miss the block outs for the transverse ties.

MIN. BAR LAP

#4 bar = 2'-0"
#5 bar = 2'-6"



SECTION A-A

22-1/2" Strands Each Strand Stressed to 30,900 Lbs.
10-Strands 1 3/4" up, 10-Strands 3 3/4" up, 2-Strands 1'-9 3/4" up
Note: Place the number of strands specified in each row symmetrically about the centerline of beam in the permissible strand locations shown.

BAR S(E)

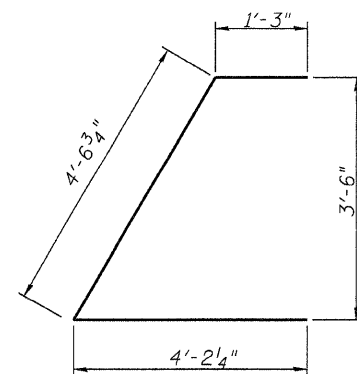
BAR S2(E)

BAR S1(E)

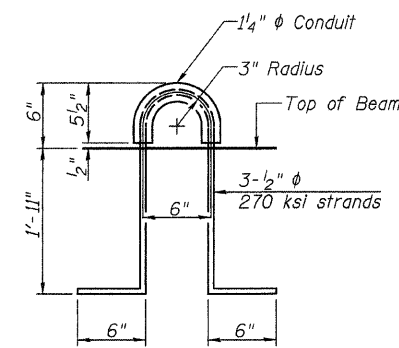
BAR S3(E)

BAR U(E)

BAR S4(E)



BAR U1(E)



LIFTING LOOP DETAIL

BAR LIST-ONE BEAM ONLY
(For information only)

Bar	No.	Size	Length	Shape
A(E)	54	#4	3'-7"	—
B(E)	5	#5	*61'-7"	—
B1(E)	4	#4	*61'-7"	—
S(E)	79	#4	7'-5"	U
S1(E)	8	#4	6'-11"	U
S2(E)	71	#4	7'-2"	U
S3(E)	18	#4	5'-8"	U
S4(E)	18	#4	5'-5"	U
U(E)	12	#5	4'-6"	U
U1(E)	4	#4	10'-0"	U

* Total Length, Lap as necessary

Note: See sheet 2 of 7 for additional details and Bill of Material.

SUPERSTRUCTURE DETAILS
PIKE COUNTY
SECTION 07-05107-00-BR
T.R. 148 OVER KISER CREEK TRIBUTARY

SHEET NO. 3 7 SHEETS	ROUTE NO. TR 148	SECTION 07-05107-00-BR	COUNTY PIKE	TOTAL SHEETS 18	SHEET NO. 9
	S.N. 075-3315		CONTRACT NO. 93532		
FED. ROAD DIST. NO. 7 ILLINOIS		FED. AID PROJECT BROS-014910401			