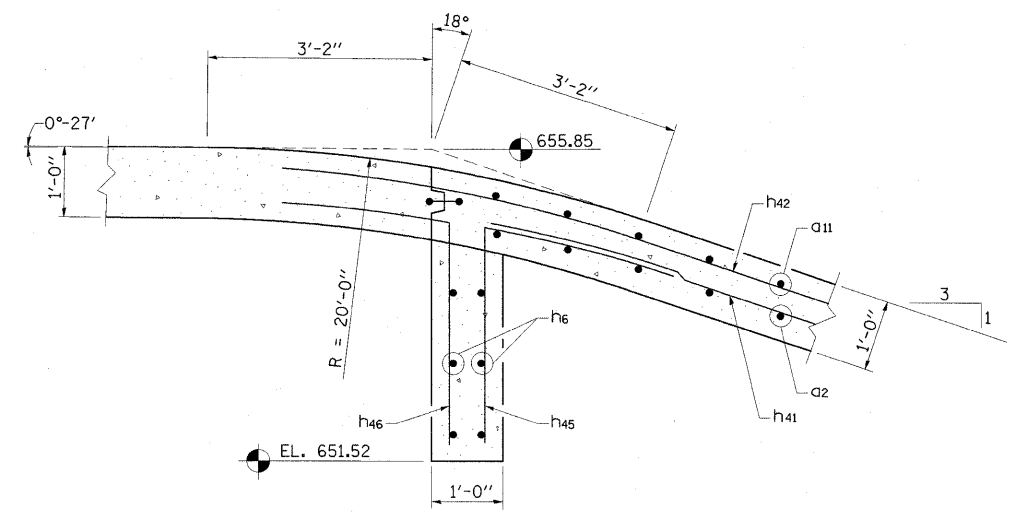


SECTION **A**
17



DETAIL **3**
17

SPILLWAY CHUTE
BILL OF MATERIAL

BAR	NO.	SIZE	LENGTH	SHAPE
a2	74	6	17'-6"	—
a11	74	5	17'-9"	—
h6	12	5	17'-6"	—
h41	36	5	38'-6"	—
h42	36	5	41'-4"	—
h43	18	5	5'-7"	└
h44	18	5	5'-11"	└
h45	18	5	5'-5"	└
h46	18	5	5'-7"	└
h47	24	5	41'-4"	—
h48	24	5	41'-4"	—
n11	148	5	3'-10"	└
n12	148	5	5'-3"	└
v71	296	5	5'-10"	—
ITEM		UNIT	QUANTITY	
CONCRETE STRUCTURES		CJ. YD.	87.3	
REINFORCEMENT BARS		POUND	12,240	

SEE SHEET 23 OF 32 FOR BAR BEND DETAILS