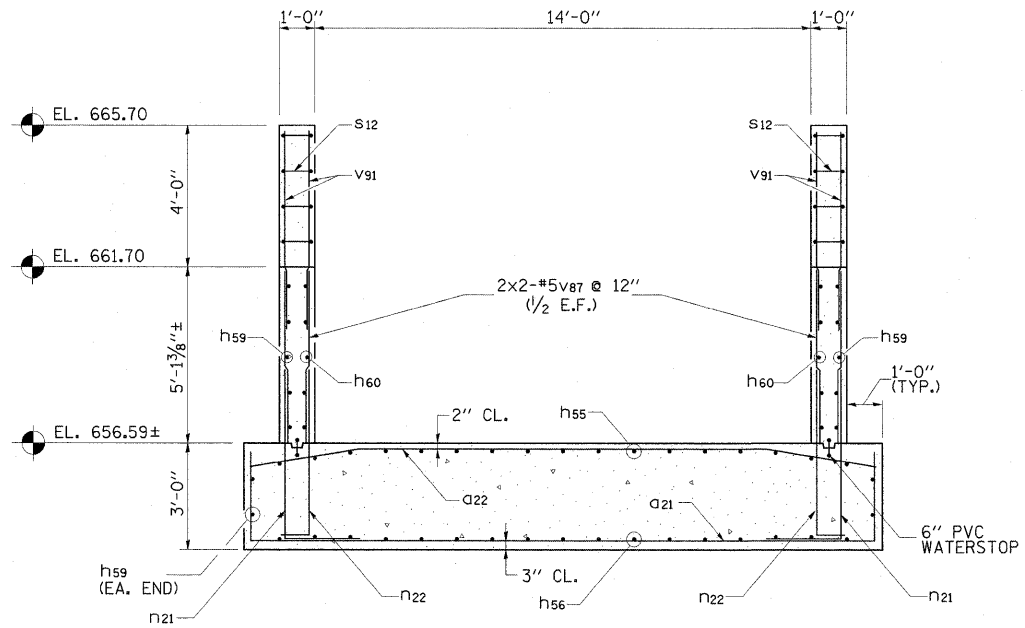
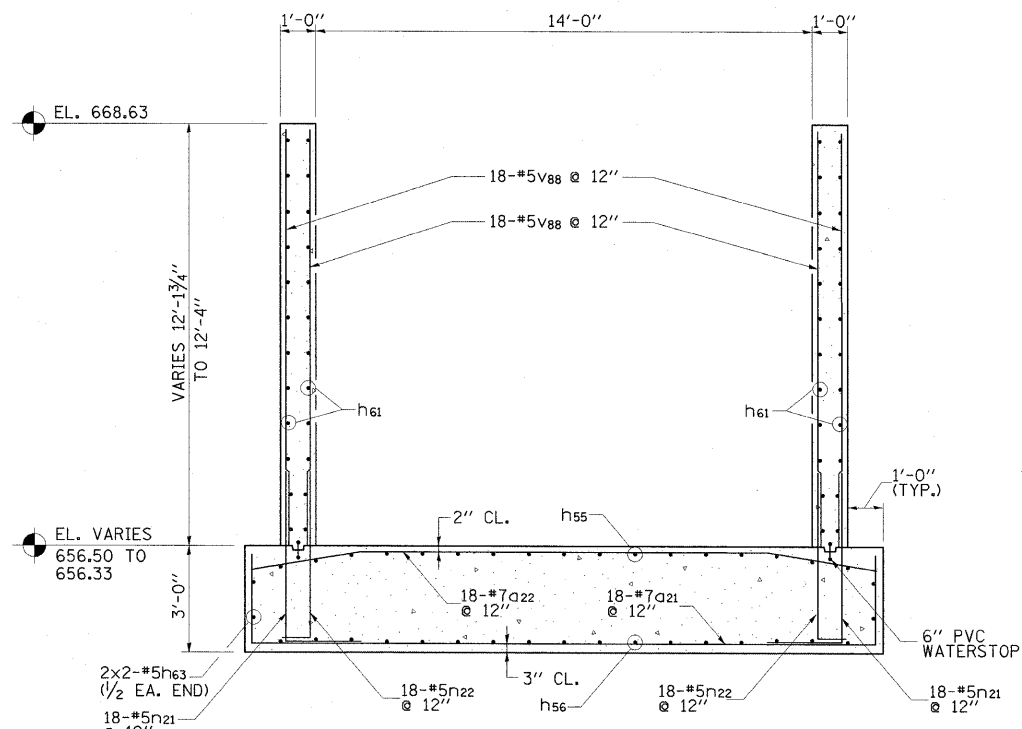


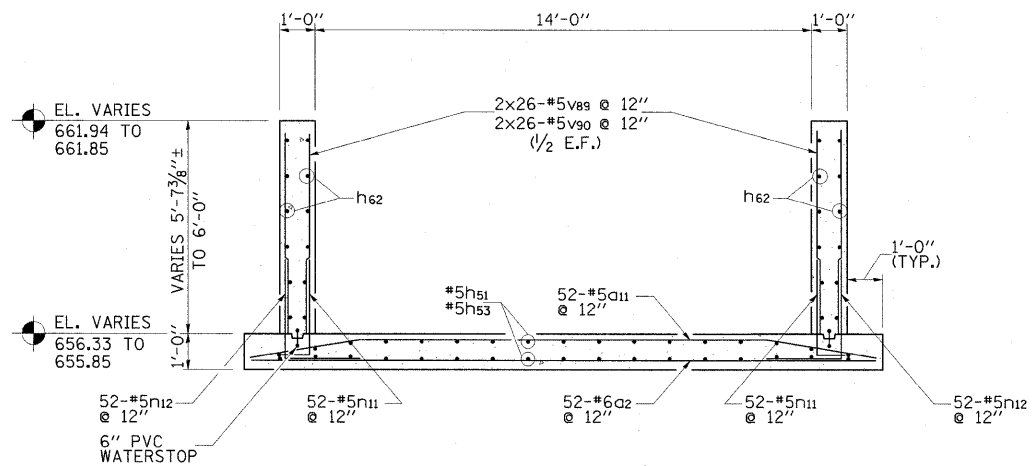
SECTION A B
19 19



SECTION C
19



SECTION D
19



SECTION E
19

FILE NAME = ...NPr_Spwy_weirstr_Sections.dgn	USER NAME = Kristin Timmons	DESIGNED - KLT/JJF	REVISED -	NIEMANVILLE TRAIL MONTGOMERY COUNTY, ILLINOIS	PROPOSED SPILLWAY WEIR STRUCTURE SECTIONS F.A.U. ROUTE 8243			F.A.U. RTE. 8243	SECTION 09-00134-00-DR	COUNTY MONTGOMERY	TOTAL SHEETS 32	SHEET NO. 20
PLOT SCALE = 2.6856 1/ IN.	CHECKED - KLT/JJF	DATE - 3/2/2010	REVISED -		SCALE: N/A	SHEET NO. 20 OF 32 SHEETS	STA. TO STA.	CONTRACT NO. 93537				
PLOT DATE = 3/3/2012	CHECKED -	DATE -	REVISED -		FED. ROAD DIST. NO. 6 ILLINOIS FED. AID PROJECT							