

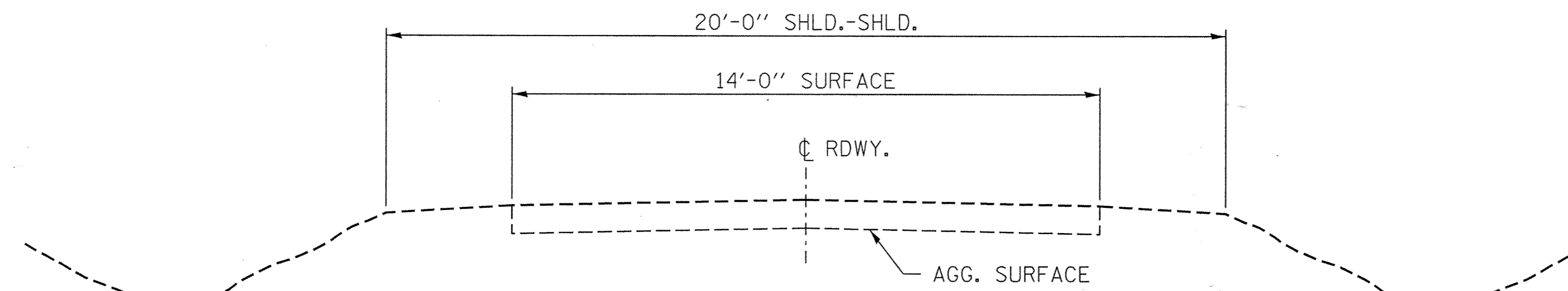
SUGGESTED CUT SECTION
CONSTRUCT AS SHOWN IN
STATION CROSS SECTIONS

TYPICAL CROSS SECTION

STA. 8+00.00 TO 9+79.82
STA. 10+26.18 TO 11+50.00

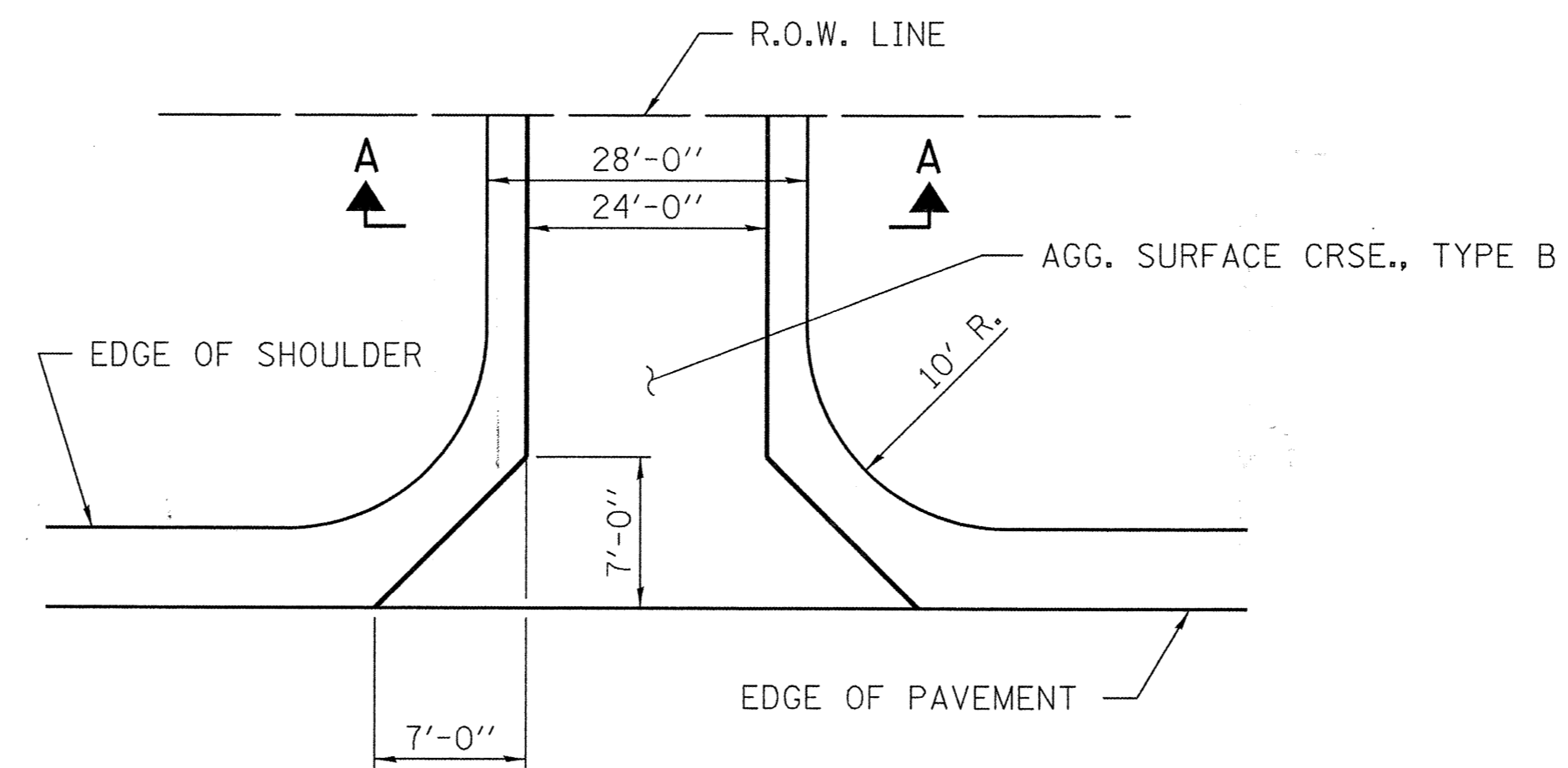
TRANSITION FROM THE PROPOSED ROADWAY TO THE EXISTING
ROADWAY IS TO BE CONSTRUCTED FROM STA. 8+00 TO 8+50 AND
STA. 11+00 TO 11+50. SEE SHEET 9 FOR TRANSITION AT BRIDGE.

SUGGESTED FILL SECTION
CONSTRUCT AS SHOWN IN
STATION CROSS SECTIONS

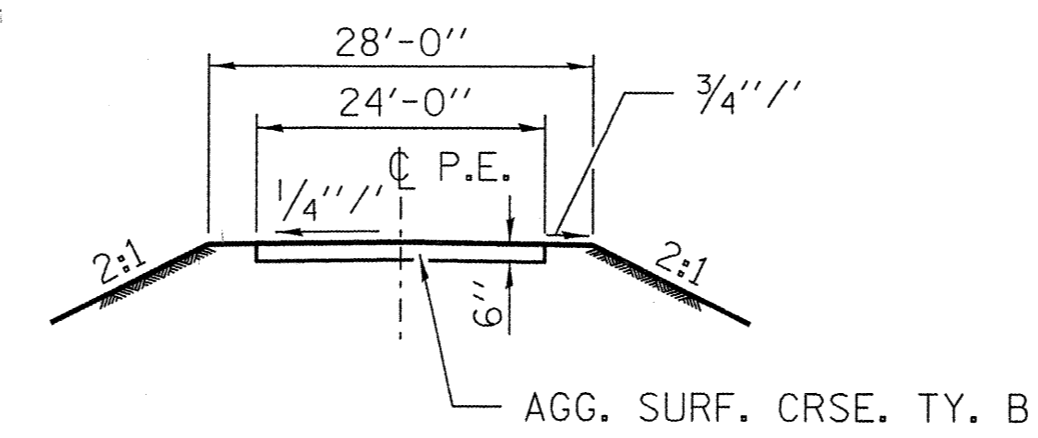


EXISTING CROSS SECTION

STA. 8+00 TO 11+50



FIELD ENTRANCE DETAIL



SECTION A-A

FILE NAME = 090128-sht-typsections.dgn	USER NAME =	DESIGNED - A.S.L.	REVISED -
		DRAWN - D.A.B.	REVISED -
		CHECKED - S.W.M.	REVISED -
		DATE - 02/18/10	REVISED -

STATE OF ILLINOIS
CLAY COUNTY HIGHWAY DEPARTMENT



TYPICAL CROSS SECTIONS

SCALE: SHEET NO. OF SHEETS STA. TO STA.

T.R.	SECTION	COUNTY	TOTAL SHEETS	SHEET NO.
363	06-11129-00-BR	CLAY	16	3
CONTRACT NO. 95621				
FED. ROAD DIST. NO. [ILLINOIS] FED. AID PROJECT BR05-0251061				