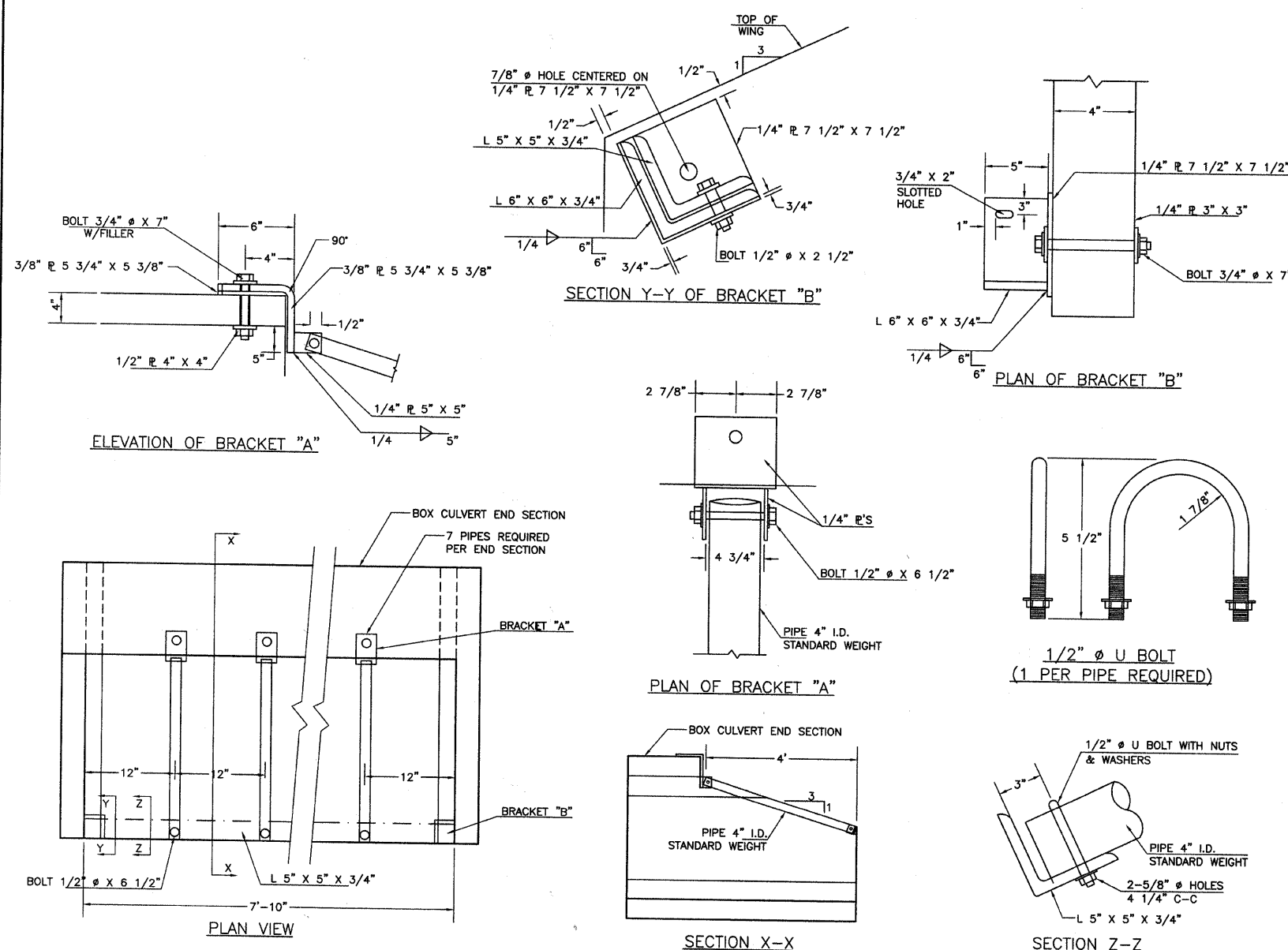
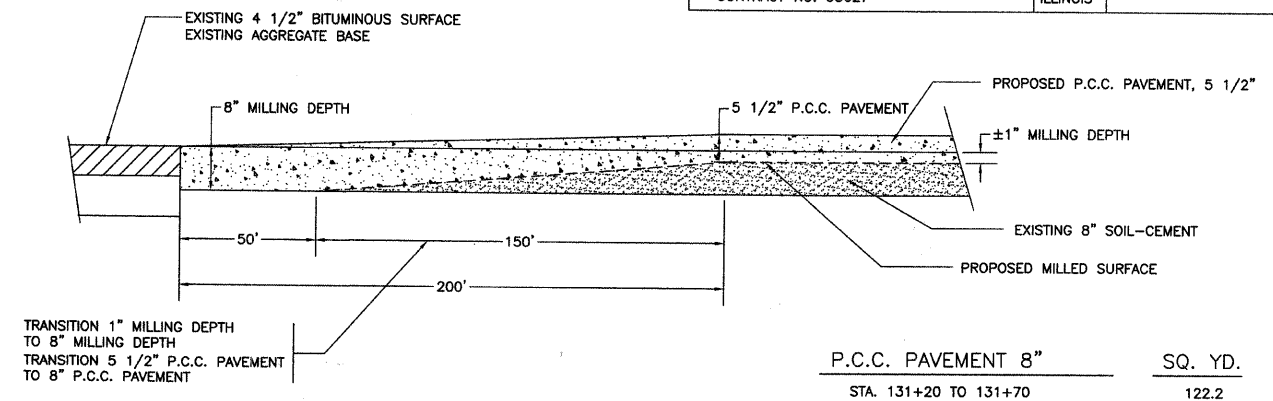


ROUTE	SECTION	COUNTY	TOTAL SHEETS	SHEET NO.
F.A.S. 706	07-00106-02-FP	RICHLAND	9	3
CONTRACT NO. 95627		ILLINOIS		

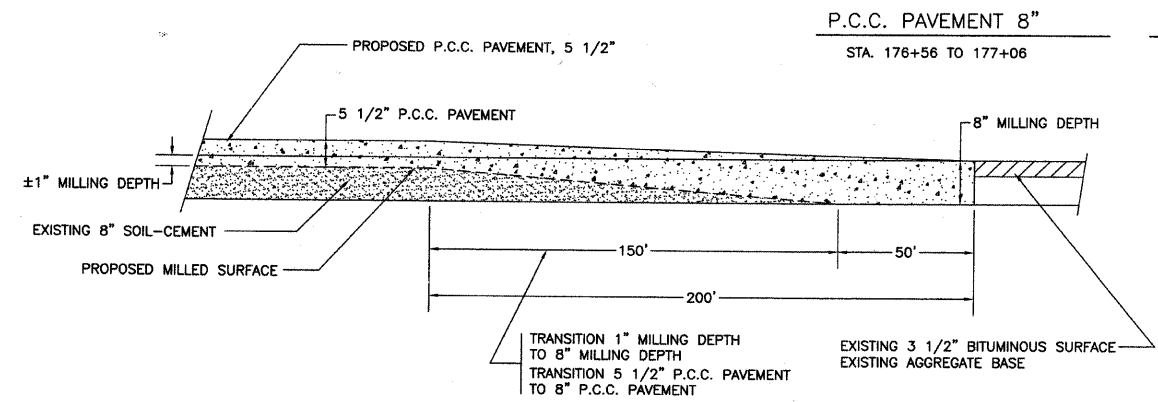


GRATING FOR BOX CULVERT END SECTION DETAILS



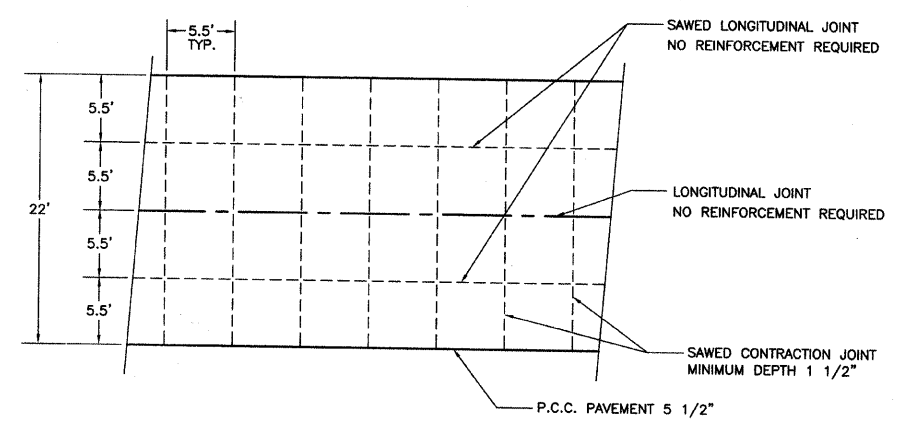
SURFACE REMOVAL TRANSITION DETAILS  
STA. 131+20 TO 133+20

P.C.C. PAVEMENT 8"	SQ. YD.
STA. 131+20 TO 131+70	122.2

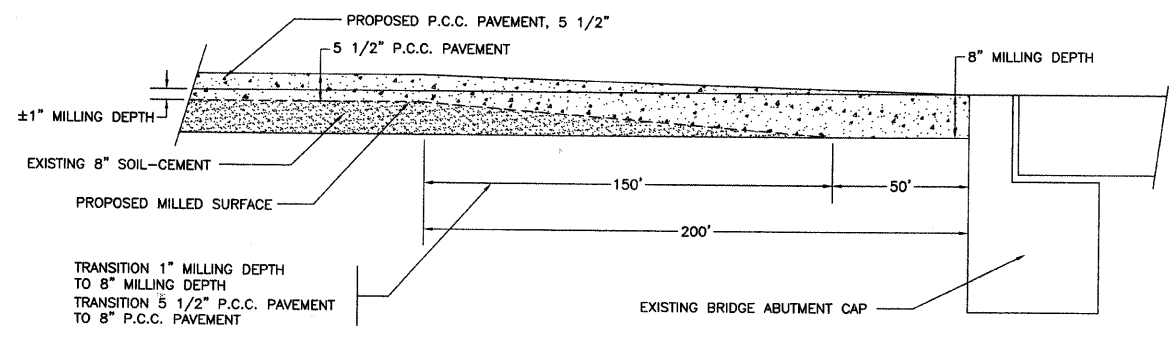


SURFACE REMOVAL TRANSITION DETAILS  
STA. 175+06 TO 177+06

P.C.C. PAVEMENT 8"	SQ. YD.
STA. 176+56 TO 177+06	122.2



CONTRACTION JOINT DETAIL



BRIDGE APPROACH TRANSITION DETAILS  
BRIDGE STA. 332+80 - 2 LOCATIONS  
BRIDGE STA. 54+65 - 2 LOCATIONS

P.C.C. PAVEMENT 8"	SQ. YD.
STA. 332+80	244.4
STA. 54+65	244.4
TOTAL	488.8 SQ YD