

DRAINAGE STRUCTURES

NO.	DIST.	STA.	ITEM	INV.
1	22' LT.	0+42	P.R.C.F.E.S. 30" W/GRATING	85.80
2	22' LT.	0+18	R.C. PIPE TEE, 30" P. 30" R	84.50
3	48' LT.	0+16	P.R.C.F.E.S. 15"	87.20
4	26' LT.	0+18	CONCRETE COLLAR	-
5	18' LT.	0+18	CONCRETE COLLAR	-
6	50' LT.	390+39	P.R.C.F.E.S. 15"	87.50
7	32' LT.	390+39	R.C. PIPE ELBOW 15" 45'	87.36
8	21' LT.	390+27	R.C. PIPE ELBOW 15" 45'	87.28
9	21' LT.	390+09	P.R.C.F.E.S. 15"	87.10
10	22' RT.	0+50	P.R.C.F.E.S. 30" W/GRATING	85.80
11	22' RT.	0+18	R.C. PIPE TEE, 36" P. 30" R	84.20
12	18' RT.	0+18	CONCRETE COLLAR	-
13	48' RT.	0+14	P.R.C.F.E.S. 36" W/GRATING	84.00
14	21' RT.	390+07	P.R.C.F.E.S. 12"	87.80
15	21' RT.	390+24	R.C. PIPE ELBOW 12" 45'	87.00
16	32' RT.	390+36	R.C. PIPE ELBOW 12" 45'	86.40
17	50' RT.	390+36	P.R.C.F.E.S. 12"	85.60

PIPE CULVERTS - R.C.C.P.

LOCATION	TY-1,12"	TY-1,15"	TY-1,30"	TY-1,36"	TR. B'FILL
1 TO 2			8		1.6
3 TO 2		16			1.5
6 TO 7		8			1.9
7 TO 8		8			0.6
8 TO 9		8			1.4
10 TO 12			8		1.6
11 TO 13				8	
14 TO 15	8				
15 TO 16	8				
16 TO 17	8				1.2
TOTALS	24	40	16	8	9.8

PIPE CULVERT REMOVAL	FOOT	TR. B'FILL CU.YD.
LT. STA. 0+18	4	1.8
RT. STA. 0+18	4	0.8
TOTAL 8 FT		TOTAL 2.2 C.Y.

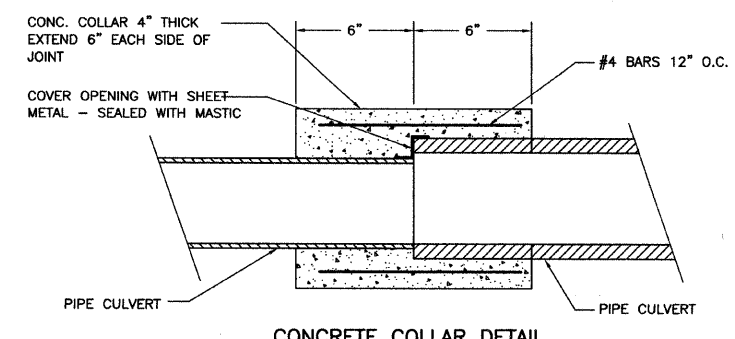
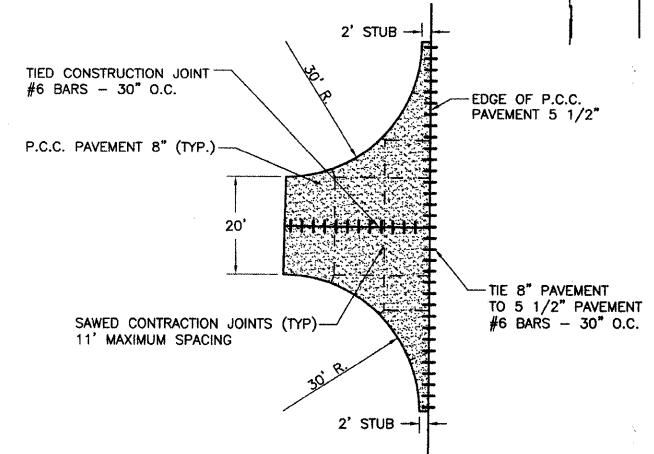
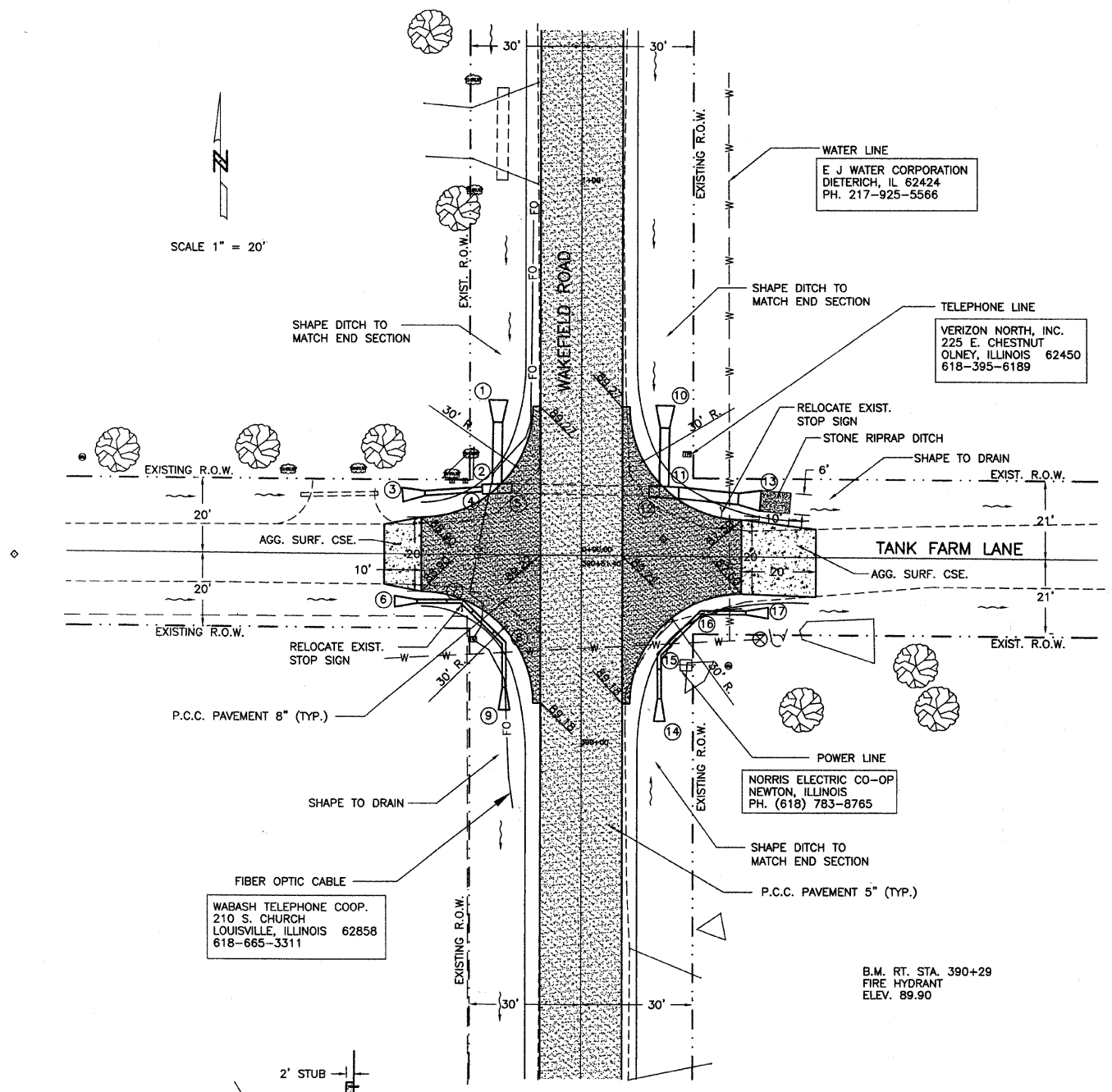
STONE RIPRAP DITCH	TON
RT. STA. 0+16	5

RELOCATE EXISTING SIGNS	EACH
LT. STA. 390+38	1
RT. STA. 0+12	1
TOTAL 2 EACH	

AGG. SURFACE CSE., TY. = B	TON
LT. & RT. STA. 0+00	8

SEEDING CLASS 2 (SPL.)	ACRE
STA. 0+00	0.15

P.C.C. PAVEMENT 8"	SQ. YD.
LT. STA. 0+00	128
RT. STA. 0+00	128
TOTAL 256 SQ YD	



INTERSECTION DETAIL / JOINT DETAIL

CONCRETE COLLAR DETAIL