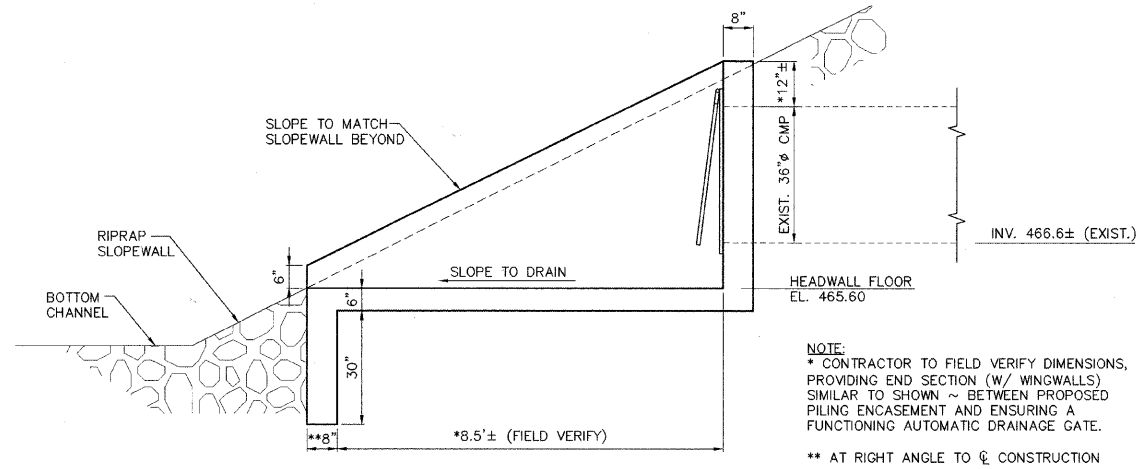


PARTIAL PLAN

CAST-IN-PLACE CONCRETE END SECTION, 36' (SPECIAL)

NOT TO SCALE



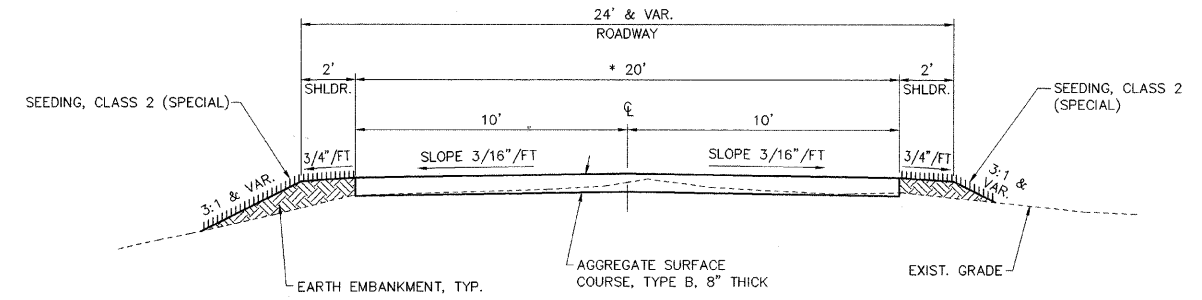
SECTION A-A

CAST-IN-PLACE CONCRETE END SECTION, 36' (SPECIAL)

NOT TO SCALE

GENERAL NOTES

1. THE SHRINKAGE FACTOR FOR EMBANKMENT IS 25%.
2. ALL CLEARING AND GRUBBING IS TO BE INCLUDED IN THE UNIT PRICE BID FOR EARTH EXCAVATION.
3. BITUMINOUS SURFACE TREATMENT (A-2) WILL BE COMPLETED BY THE OWNER.



TYPICAL ROADWAY CROSS-SECTION

- * (SW QUADRANT) TRANSITION WEDGE FROM EXISTING TO PROPOSED ROADWAY, STA. 49+32.41 TO 49+46.25 (SEE PLAN).
- * (NE & SE QUADRANT) TRANSITION WEDGES FROM PROPOSED TO EXISTING ROADWAY, STA. 50+56.75 TO ±51+00 (SEE PLAN).

SUMMARY OF QUANTITIES

CODE NO.	ITEM	QUANTITY	UNIT
20200100	EARTH EXCAVATION	16	CU. YD.
20300100	CHANNEL EXCAVATION	127	CU. YD.
25001000	SEEDING, CLASS 2 (SPECIAL)	0.02	ACRE
28100807	STONE DUMPED RIPRAP, CLASS A4	190	TON
40200800	AGGREGATE SURFACE COURSE, TYPE B	33	TON
50100100	REMOVAL OF EXISTING STRUCTURES	1	EACH
50104400	CONCRETE HEADWALL REMOVAL	1	EACH
50300225	CONCRETE STRUCTURES	31.4	CU. YD.
50300280	CONCRETE ENCASEMENT	14.8	CU. YD.
50400305	PRECAST PRESTRESSED CONCRETE DECK BEAMS (17" DEPTH)	2448	SQ. FT.
50800105	REINFORCEMENT BARS	4380	POUND
50900205	STEEL RAILING, TYPE S1	204	FOOT
51201400	FURNISHING STEEL PILES HP 10x42	376	FOOT
51201600	FURNISHING STEEL PILES HP 12x53	448	FOOT
51202305	DRIVING PILES	824	FOOT
51203600	TEST PILE STEEL HP 12x53	1	EACH
51204650	PILE SHOES	16	EACH
51500100	NAME PLATES	1	EACH
67100100	MOBILIZATION	1	L. SUM
XX008373	CAST-IN-PLACE REINFORCED CONCRETE END SECTIONS 36" (SPECIAL)	1	EACH

* SPECIALTY ITEMS