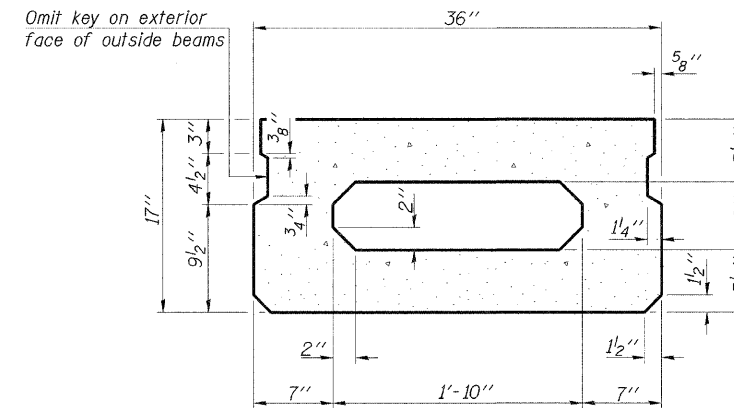
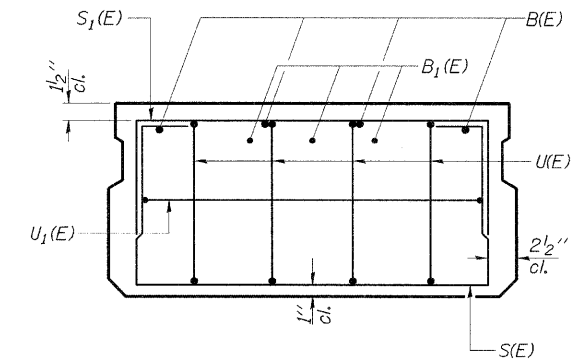


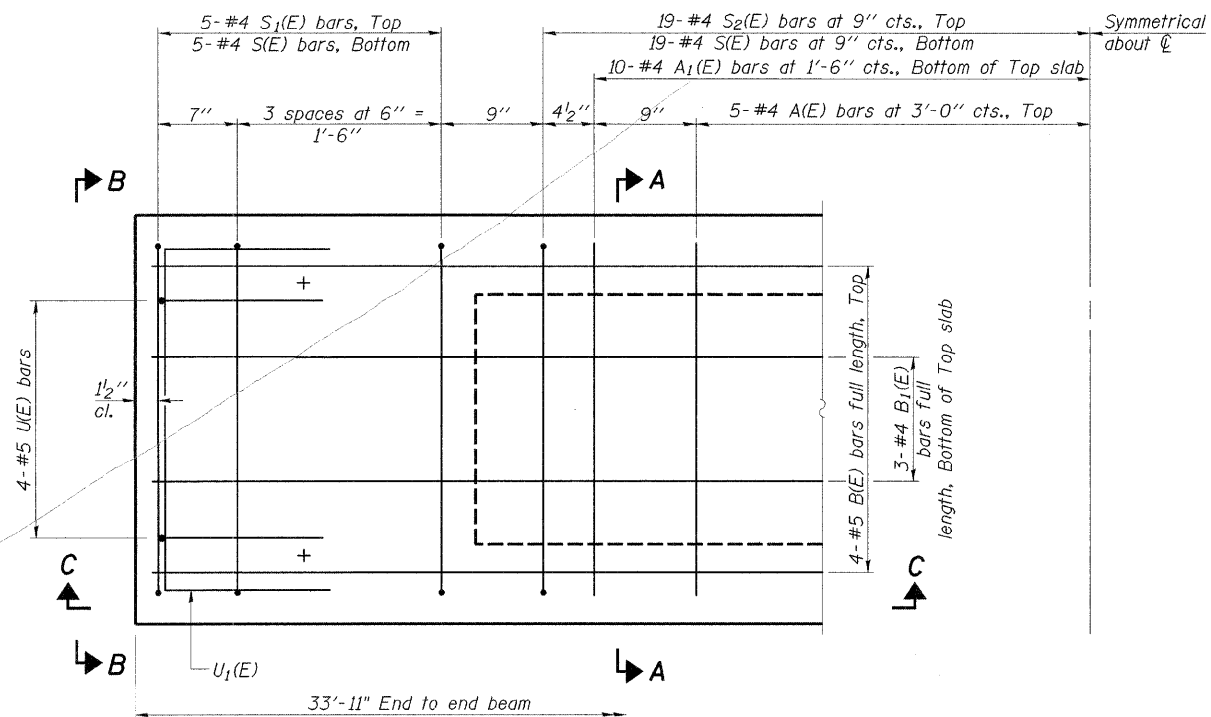
SECTION C-C



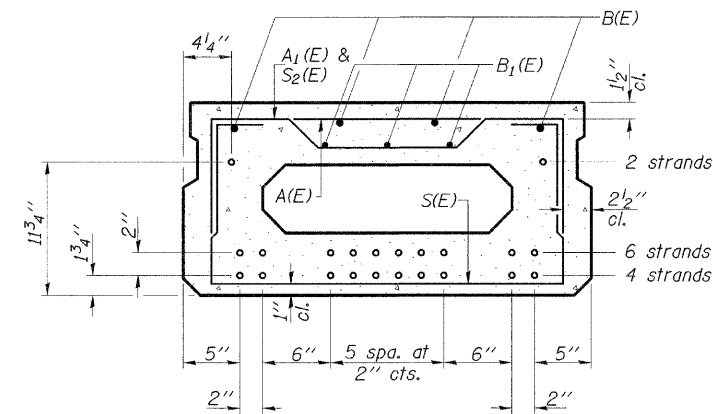
SECTION A-A
(Showing dimensions)



VIEW B-B



PLAN VIEW



SECTION A-A

(Showing reinforcement and permissible strand locations)

Note: Place the number of strands specified in each row symmetrically about the centerline of beam in the permissible strand locations shown.

Strands: 12 - 1/2" strands.

BAR LIST
ONE BEAM ONLY
(For information only)

Bar	No.	Size	Length	Shape
A(E)	10	#4	2'-7"	—
A1(E)	20	#4	2'-11"	—
B(E)	4	#5	33'-7"	—
B1(E)	3	#4	33'-7"	—
S(E)	48	#4	5'-9"	⌊
S1(E)	10	#4	4'-3"	⌊
S2(E)	38	#4	4'-6"	⌊
U(E)	8	#5	3'-8"	⌊
U1(E)	2	#4	5'-0"	⌊

Note: See sheet SLM-PD-1736-0D for additional details.
See sheet SLM-CS-2417-34 for Bill of Material.

Note: Spacing of S(E) and S2(E) bars may be adjusted up to 4" in the immediate area of the transverse tie diaphragms to miss the block outs for the transverse ties.

<p>2524 S. Broadway Salem, Illinois 62861 618.548.3500 IL Design Firm Reg. No. 184-000178 No. 184-003706 www.aecom.com</p>	<p>SLM-PD-1736-0</p> <p>P.P.C. DECK BEAM DETAILS AND SECTIONS</p>
	<p>24' ROADWAY 17" x 36" BEAMS 0° SKEW</p>
<p>Date: 03/18/10 Design: WDL Drawn: JSD Job No.: 60097890</p>	