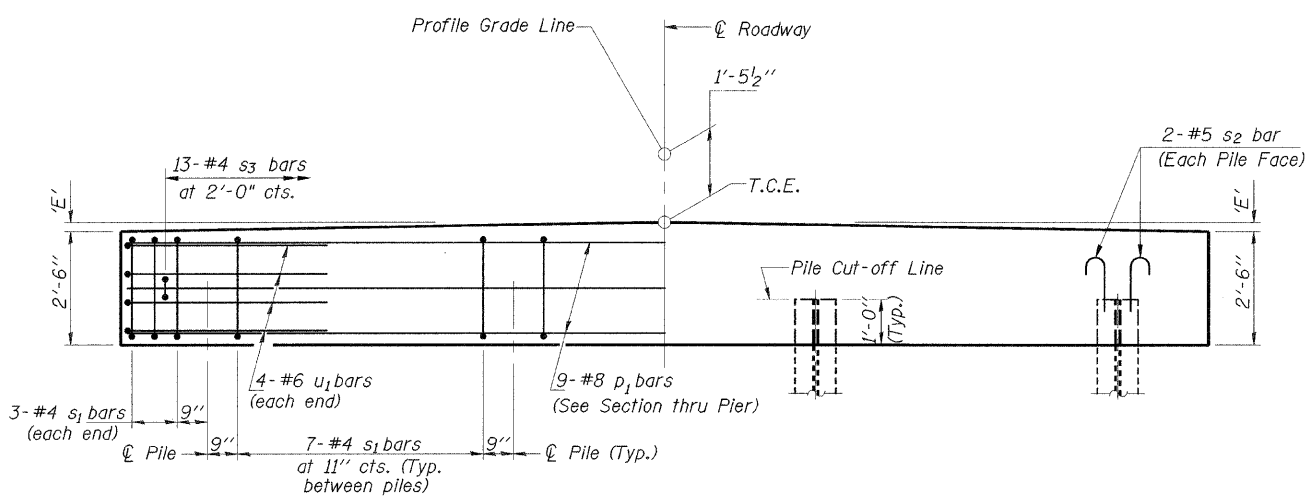


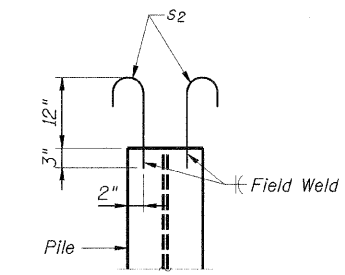
PLAN
(*D' = Designated Skew Angle)



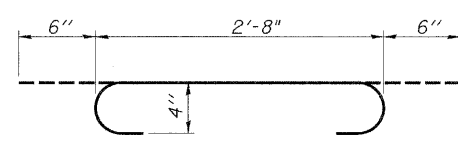
ELEVATION

DIMENSION 'E'

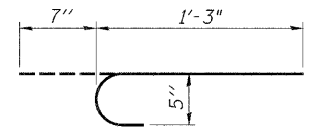
GRADE	'D'=0°		'D'=5°		'D'=10°	
	UPGRADE END	DOWNGRADE END	UPGRADE END	DOWNGRADE END	UPGRADE END	DOWNGRADE END
0%	2 ³ / ₈ "	2 ³ / ₈ "	2 ³ / ₈ "	2 ³ / ₈ "	2 ³ / ₈ "	2 ³ / ₈ "
Over 0% to 1%	2 ³ / ₈ "	2 ³ / ₈ "	2 ¹ / ₄ "	2 ³ / ₈ "	2 ¹ / ₈ "	2 ¹ / ₂ "
Over 1% to 2%	2 ³ / ₈ "	2 ³ / ₈ "	2 ¹ / ₈ "	2 ¹ / ₂ "	1 ⁷ / ₈ "	2 ³ / ₄ "
Over 2% to 3%	2 ³ / ₈ "	2 ³ / ₈ "	2"	2 ⁵ / ₈ "	1 ⁵ / ₈ "	3"
Over 3% to 4%	2 ³ / ₈ "	2 ³ / ₈ "	1 ⁷ / ₈ "	2 ³ / ₄ "	1 ³ / ₈ "	3 ¹ / ₄ "



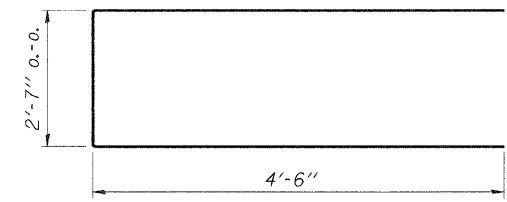
PILE ANCHOR DETAIL
(Welding included in cost of reinforcement)



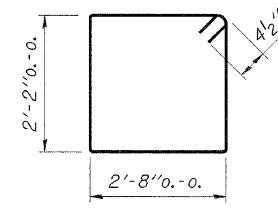
BAR s3



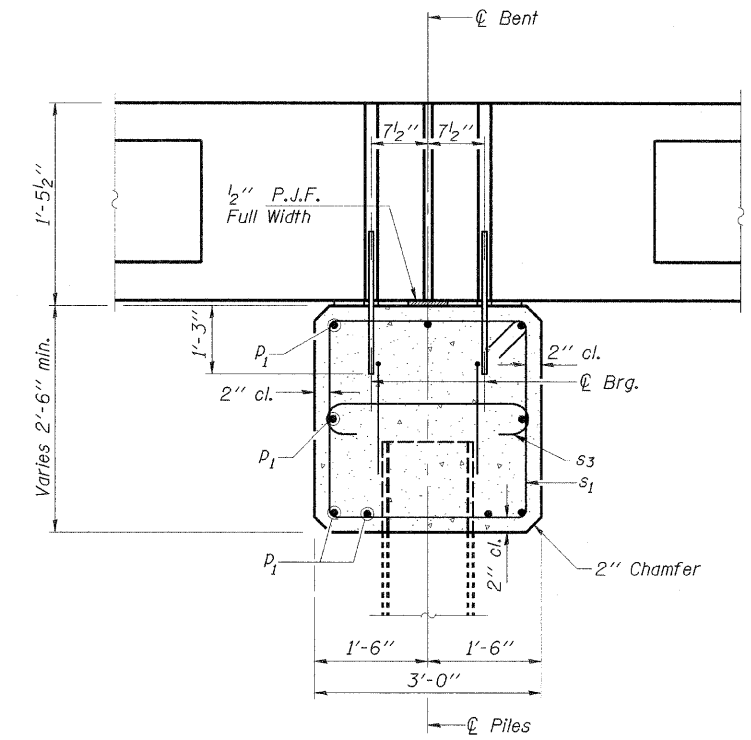
BAR s2



BAR u1



BAR s1



SECTION THRU PIER
(At Right Angles)

BILL OF MATERIAL FOR ONE PIER

Bar	No.	Size	Length	Shape
p1	9	#8	25'-2"	—
s1	30	#4	10'-5"	□
s2	16	#5	1'-10"	U
s3	13	#4	3'-8"	U
u1	8	#6	11'-7"	□
Concrete Structures			7.4	Cu. Yds.
Reinforcement Bars			1020	Lb.

NOTE

- Reinforcement bars shall conform to the requirements of A.A.S.H.T.O. M-31 or M-322, Grade 60.
- Space reinforcement in cap to miss dowel rods.
- For clarity, concrete encasement is not pictorially shown on elevation or section.

DESIGN STRESSES

f'c = 3,500 psi
fy = 60,000 psi

	2524 S. Broadway Salem, Illinois 62861 618.548.3500 IL Design Firm Reg. No. 184-000175 No. 184-003706 www.aecom.com	SLM-CP-2417-10 P.P.C. DECK BEAMS PILE BENT PIER
	Date: 03/18/10 Design: WDL Drawn: JSD Job No.: 60097890	24' ROADWAY 17" BEAMS 'D'=0°, 5°, OR 10°