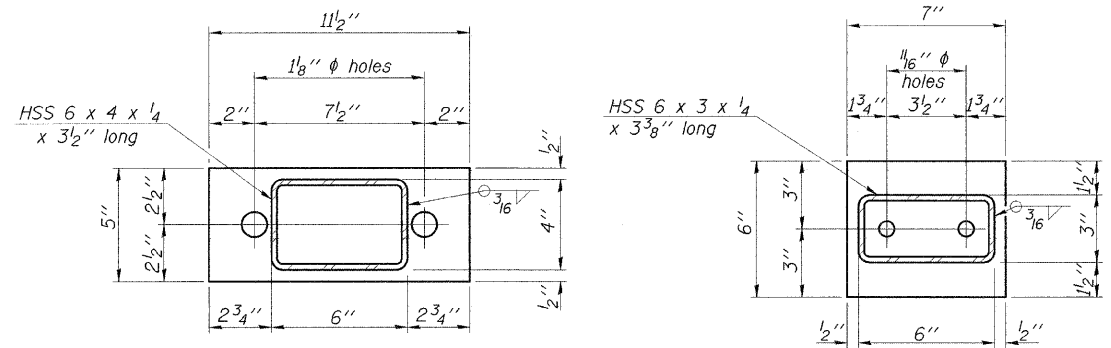
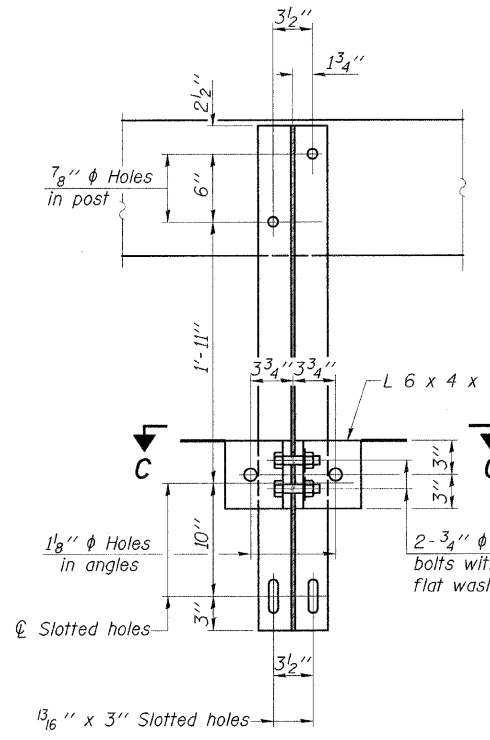


VIEW A-A ROUND HEAD BOLT



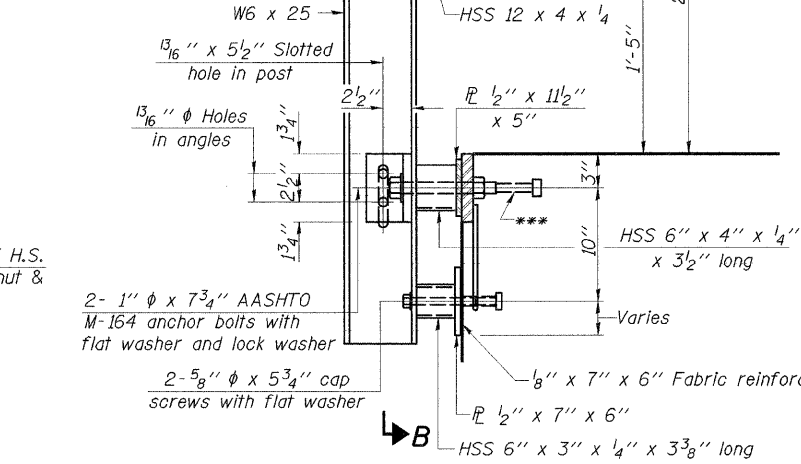
PL 1/2" x 11 1/2" x 5"

PL 1/2" x 7" x 6"



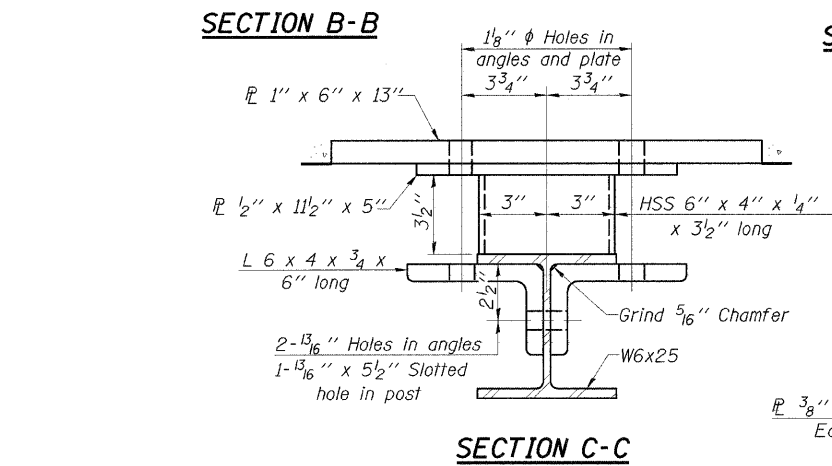
SECTION B-B

2-3/4" ϕ x 6" Round Head Bolts (With slot or approved recess in head) with locknut & flat washer. 7/8" ϕ holes in hollow structural section may be drilled in the field.

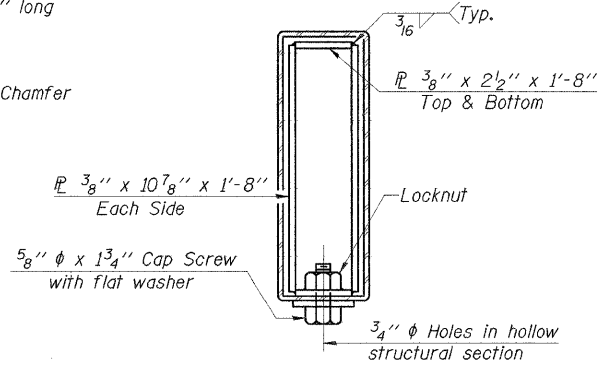


SECTION AT RAILING POST

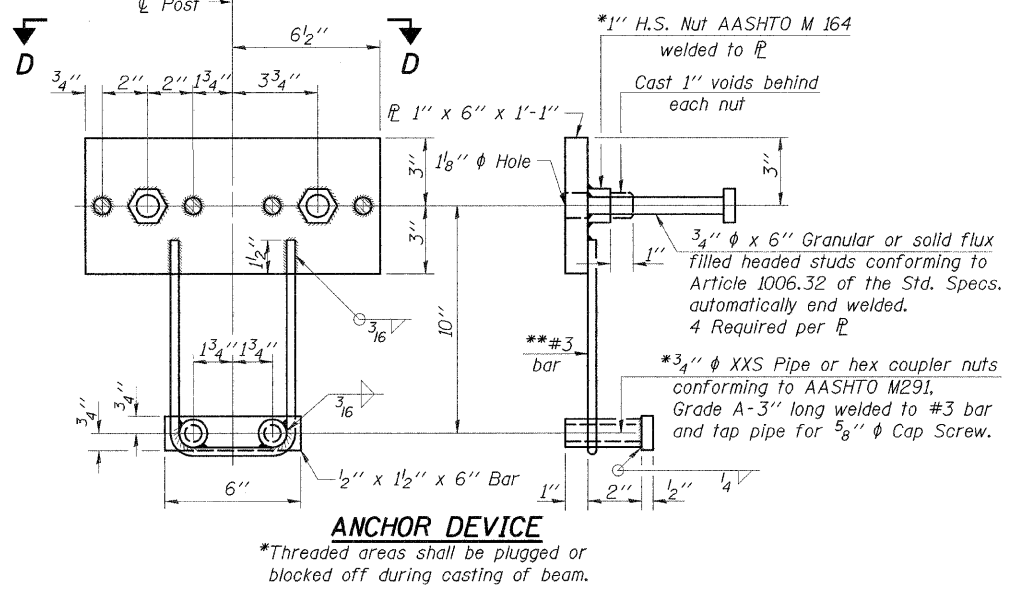
**Whenever the lower insert assemblies interfere with strand locations, the #3 bars shall be cut and adjusted in order to allow raising or lowering of the lower inserts. Maximum adjustment not to exceed 1/2".



SECTION C-C

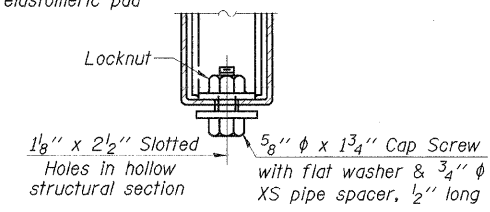


SECTIONS AT RAIL SPLICE

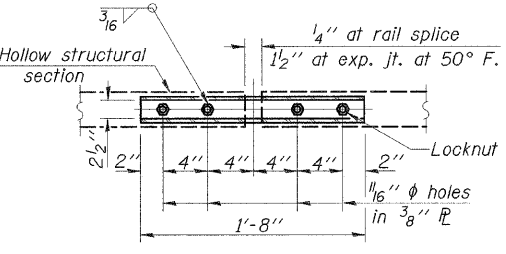


ANCHOR DEVICE

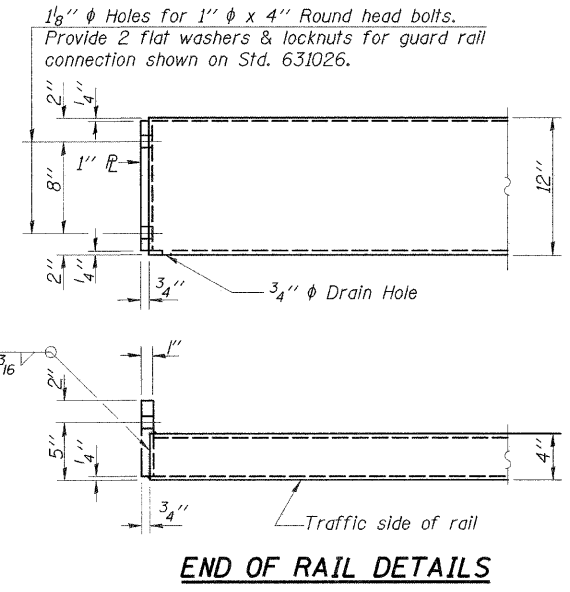
*Threaded areas shall be plugged or blocked off during casting of beam.



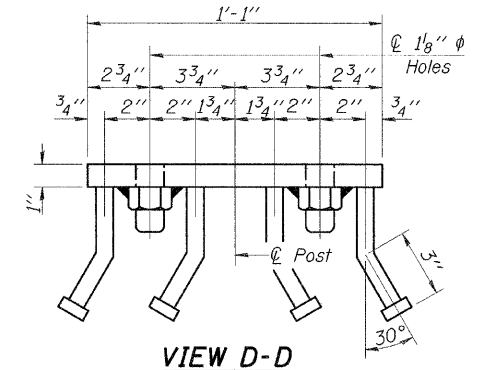
RAIL SPLICE CONNECTION AT EXPANSION JT.



PLAN-BOTTOM SPLICE PL TYPICAL



END OF RAIL DETAILS



VIEW D-D

Notes:
 All field drilled holes shall be coated with an approved zinc rich paint before erection.
 For multi-span bridges, sufficient 1/4" x 6" x 1'-2" galvanized steel shims shall be provided to align rail between adjacent spans. Cost included with Steel Railing, Type S-1.
 All steel rail elements shall be galvanized according to Article 509.05 of the Standard Specifications.
 ***The studs of the anchor devices shall be placed below the top reinforcement bars and the outermost longitudinal reinforcement bar shall be placed directly above the studs of the rail post anchor device.
 The maximum allowable rail post spacing shall be 10'-9". The rail post spacing shown elsewhere in the plans is based on the allowable spacing for another type of rail. When this type of rail is used, the number of posts may be decreased and the post spacing increased to provide equal post spaces of 10'-9" or less.

(10'-9" Maximum Post Spacing)

AECOM 2524 S. Broadway Salem, Illinois 62881 618.548.3500 IL Design Firm Reg. No. 184-003176 No. 184-003706 www.aecom.com	SLM-CR-TS1
	STEEL RAILING TYPE S-1
Date: 03/18/10 Design: WDL Drawn: JSD Job No.: 60097890	