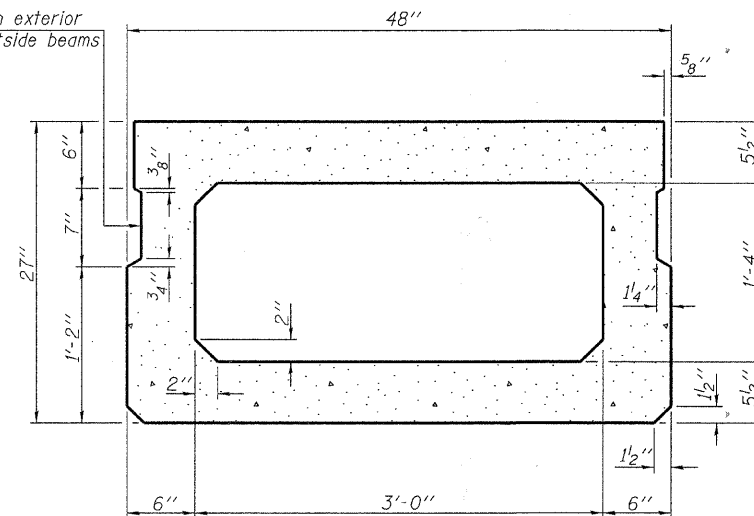
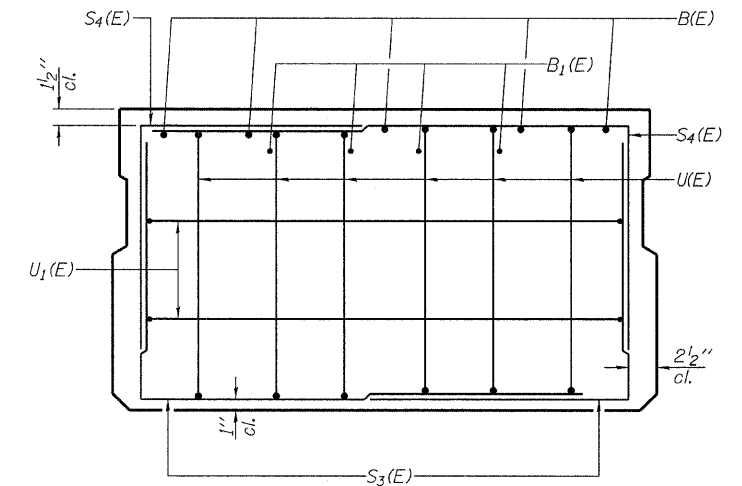


SECTION C-C

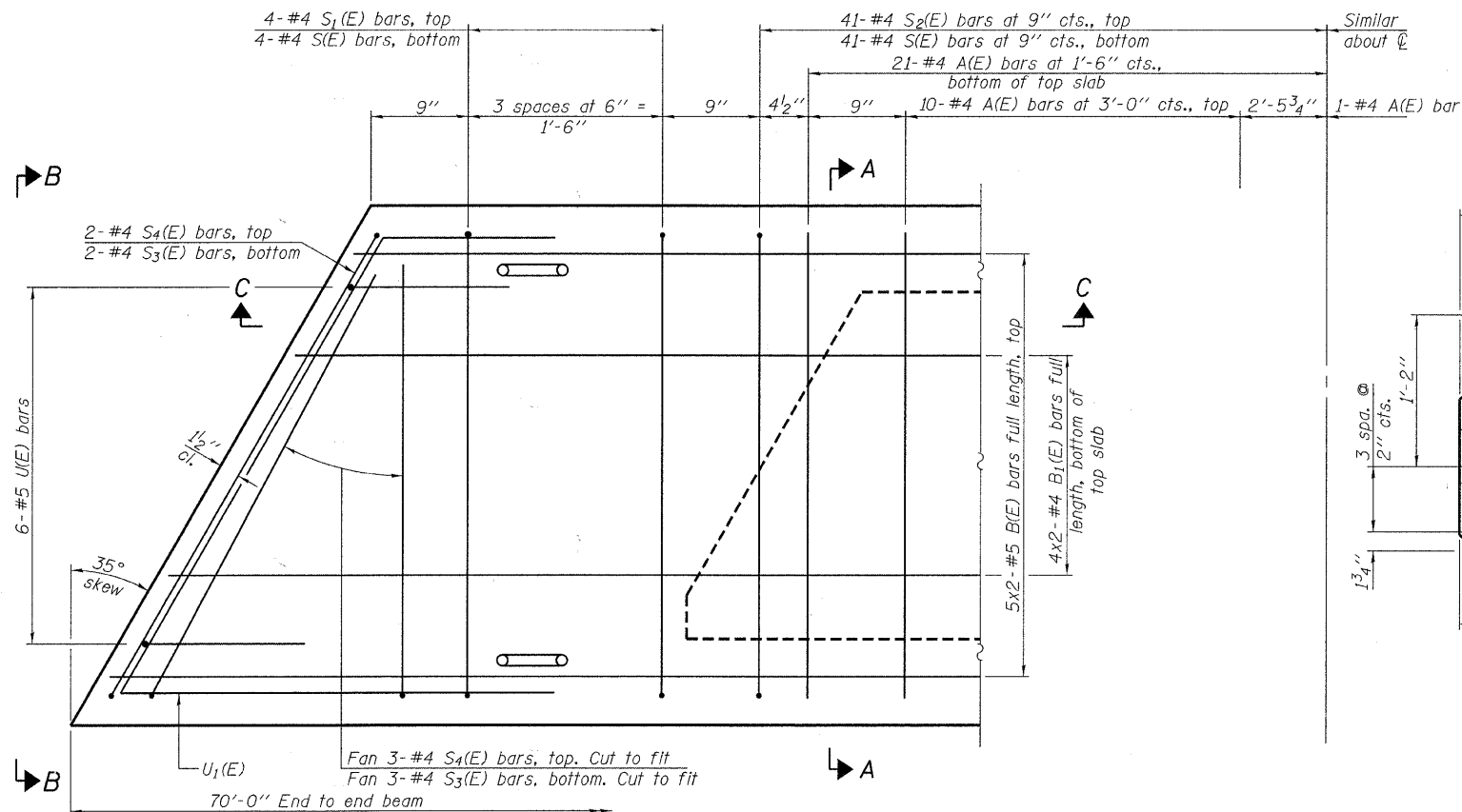
Omit key on exterior face of outside beams



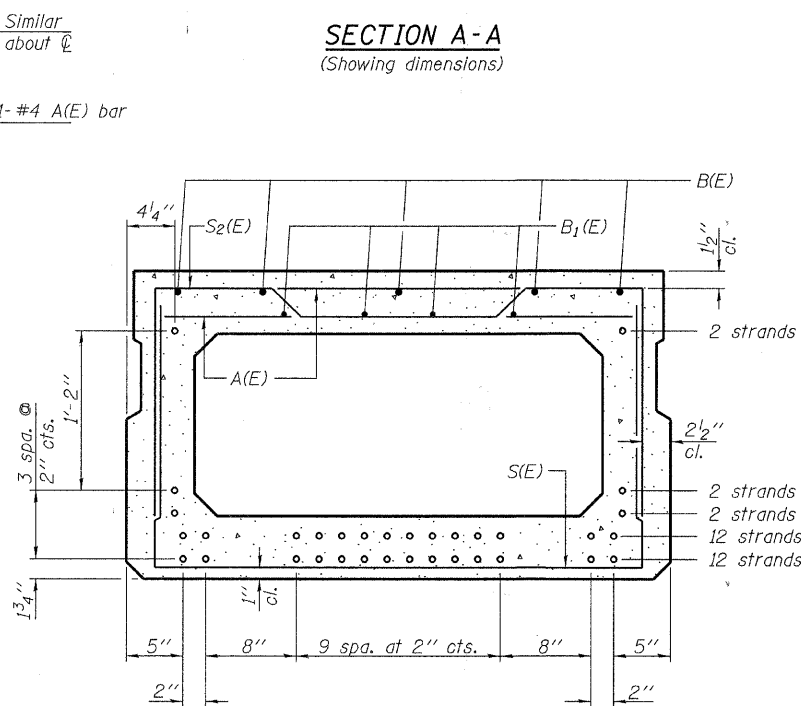
SECTION A-A
(Showing dimensions)



VIEW B-B



PLAN VIEW



SECTION A-A
(Showing reinforcement and permissible strand locations)

Note: Place the number of strands specified in each row symmetrically about the centerline of beam in the permissible strand locations shown.

BAR LIST
ONE BEAM ONLY

(For information only)

Bar	No.	Size	Length	Shape
A(E)	63	#4	3'-7"	—
B(E)	10	#5	36'-1"	—
B1(E)	8	#4	35'-10"	—
S(E)	90	#4	7'-5"	┌
S1(E)	8	#4	6'-11"	┌
S2(E)	82	#4	7'-2"	┌
S3(E)	10	#4	5'-0"	┌
S4(E)	10	#4	4'-9"	┌
U1(E)	12	#5	4'-6"	┌
U1(E)	4	#4	9'-3"	┌

Note: See sheet 14 & 15 for additional details and Bill of Material.

Notes: Spacing of S(E) and S2(E) bars may be adjusted up to 4" in the immediate area of the transverse tie diaphragms to miss the block outs for the transverse ties.

Bars indicated thus 5x2-#5 etc. indicates 5 lines of bars with 2 lengths per line.

MINIMUM BAR LAP

#4 bar = 2'-0"
#5 bar = 2'-6"

DESIGNED	- A.S.L.
CHECKED	- S.W.M.
DRAWN	- D.T.M.
CHECKED	- S.W.M.

PD-2748-L

11-1-09

HAMPTON, LENZINI AND RENWICK, INC.
 CIVIL ENGINEERS - STRUCTURAL ENGINEERS - LAND SURVEYORS
 3085 STEVENSON DRIVE, SUITE 201
 SPRINGFIELD, ILLINOIS 62703
 217.548.3400 www.hlrengineering.com

HLR
 184.000959
 ILLINOIS PROFESSIONAL DESIGN FIRM LS / PE / SE CORPORATION

PROJECT NUMBER: 09.0135.130 DATE: 02/09/10

SHEET NO. 2

9 SHEETS

T.R.	SECTION	COUNTY	TOTAL SHEETS	SHEET NO.
231	09-23113-00-BR	SHELBY	20	13
TOWER HILL ROAD DISTRICT		CONTRACT NO. 95631		
FED. ROAD DIST. NO.		ILLINOIS FED. AID PROJECT BROS-173(171)		

SUPERSTRUCTURE
27" X 48" PPC DECK BEAM
STRUCTURE NO. 087-3570