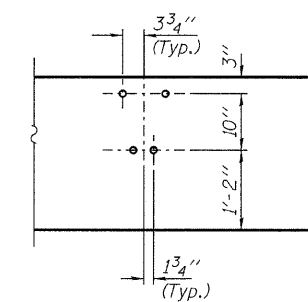
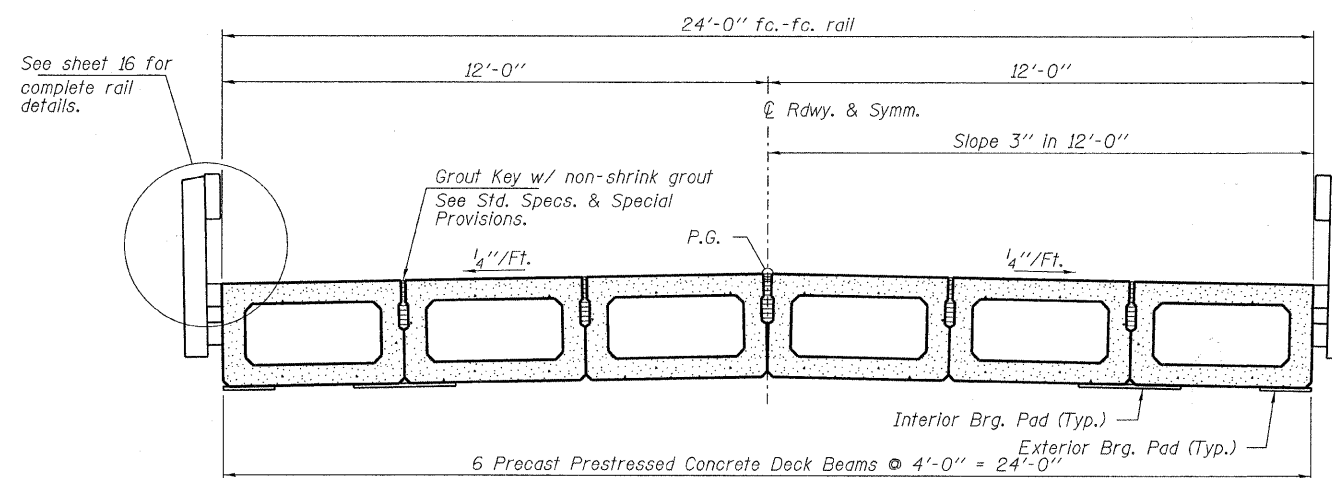


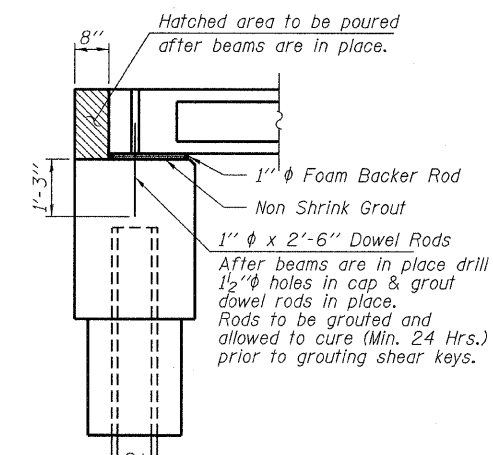
**ELEVATION**  
Showing Rail Post Spaces  
See sheet 16 for Railing Details.



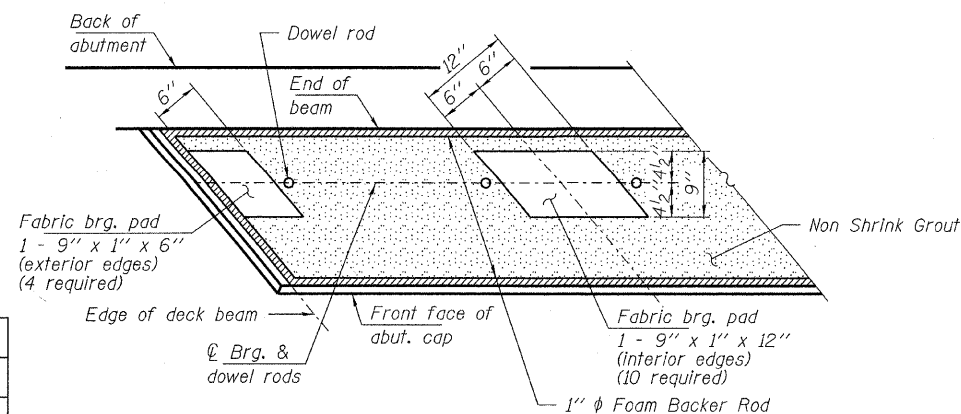
**DETAIL A**



**CROSS SECTION**  
See sheets 13 & 14 for Superstructure.



**SECTION AT ABUTMENTS**  
© Rt. L's



**GRAUTED BEARING SEAT DETAIL AT ABUTMENT**

DESIGNED - A.S.L.
CHECKED - S.W.M.
DRAWN - D.T.M.
CHECKED - S.W.M.

**SUPERSTRUCTURE DETAILS  
STRUCTURE NO. 087-3570**

<b>HAMPTON, LENZINI AND RENWICK, INC.</b> CIVIL ENGINEERS - STRUCTURAL ENGINEERS - LAND SURVEYORS 3085 STEVENSON DRIVE, SUITE 201 SPRINGFIELD, ILLINOIS 62703 217.546.3400 www.hlrengineering.com 184 000956 ILLINOIS PROFESSIONAL DESIGN FIRM LS / PE / SE CORPORATION PROJECT NUMBER: 09.0135.130 DATE: 02/08/10	SHEET NO. 4	T.R.	SECTION	COUNTY	TOTAL SHEETS	SHEET NO.
	9 SHEETS	231	09-23113-00-BR	SHELBY	20	15
TOWER HILL ROAD DISTRICT			CONTRACT NO. 95631			
FED. ROAD DIST. NO.		ILLINOIS FED. AID PROJECT BROS-173(171)				