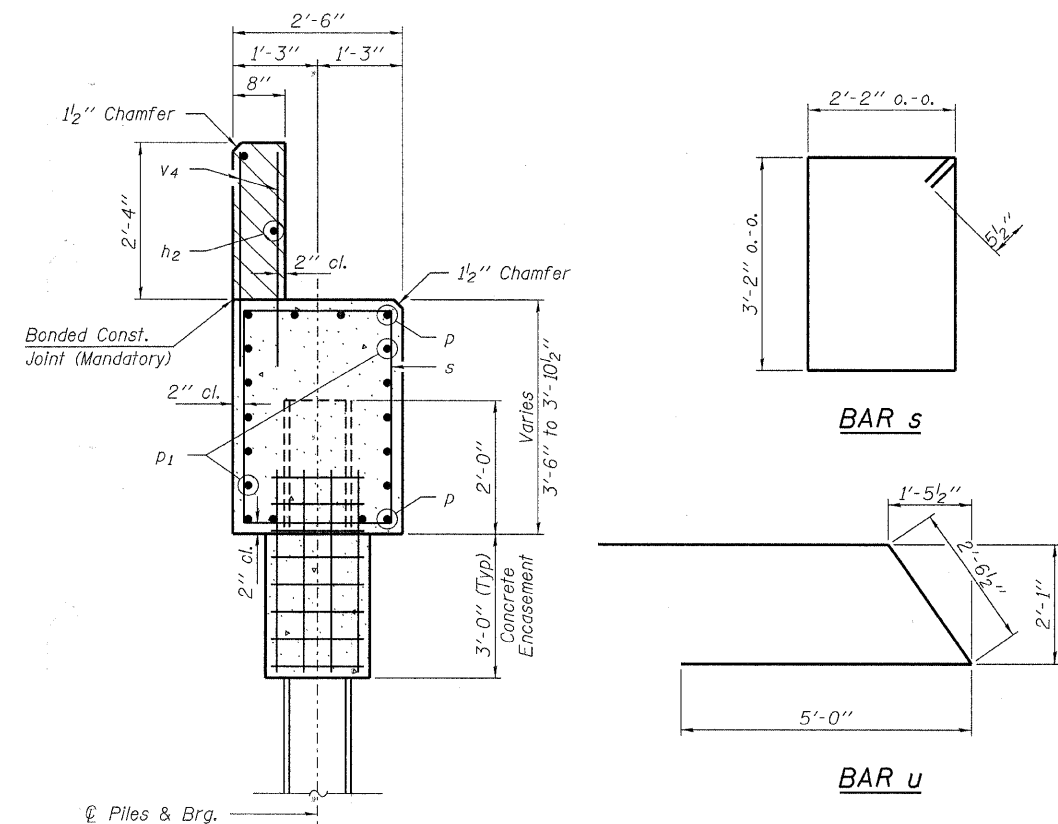
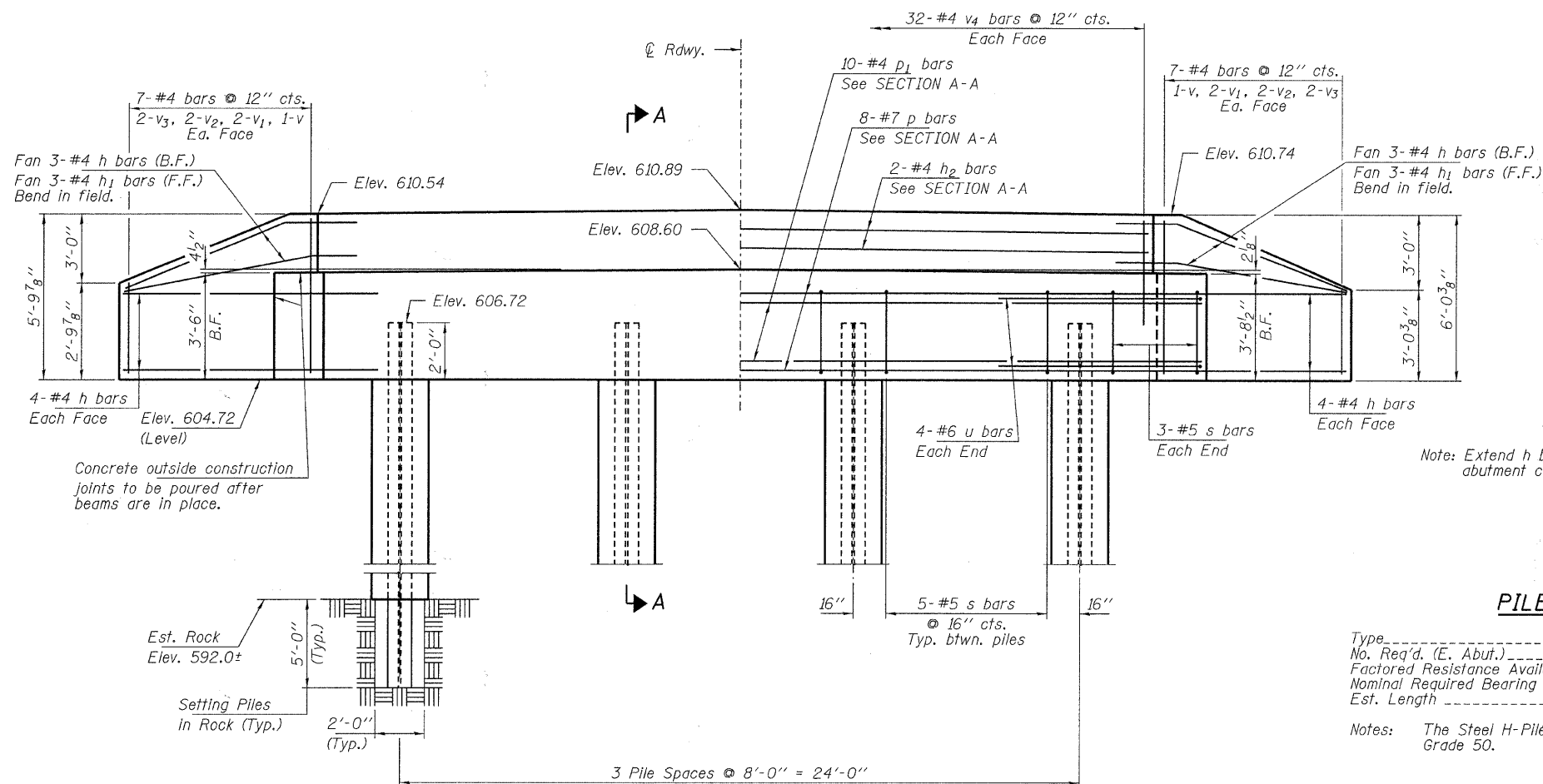


PLAN



SECTION A-A

Hatched area to be poured after beams are in place.



ELEVATION
(Looking East)

PILE DATA

Type _____ Steel HP12x53
 No. Req'd. (E. Abut.) _____ 4
 Factored Resistance Available (Rf) _____ 209 Kips/Pile
 Nominal Required Bearing (Rn) _____ 419 Kips/Pile
 Est. Length _____ 23 Ft/Pile

Notes: The Steel H-Piles shall be according to AASHTO M270 Grade 50.

BILL OF MATERIAL - EAST ABUT.

BAR	NO.	SIZE	LENGTH	SHAPE
h	22	#4	8'-3"	—
h1	6	#4	6'-9"	—
h2	2	#4	30'-10"	—
p	8	#7	30'-10"	—
p1	10	#4	30'-10"	—
s	21	#5	11'-7"	□
u	8	#6	12'-7"	▤
v	4	#4	5'-6"	—
v1	8	#4	4'-7"	—
v2	8	#4	3'-7"	—
v3	8	#4	2'-7"	—
v4	64	#4	3'-2"	—
Concrete Structures			Cu. Yd.	14.8
Concrete Encasement			Cu. Yd.	5.7
Reinforcement Bars			Pound	1,510
Steel Piles HP12x53			Foot	92
Setting Piles in Rock			Each	4

EAST ABUTMENT
STRUCTURE NO. 087-3570

DESIGNED - A.S.L.
CHECKED - S.W.M.
DRAWN - D.T.M.
CHECKED - S.W.M.

HAMPTON, LENZINI AND RENWICK, INC.
 CIVIL ENGINEERS - STRUCTURAL ENGINEERS - LAND SURVEYORS
 3085 STEVENSON DRIVE, SUITE 201
 SPRINGFIELD, ILLINOIS 62703
 217.546.3400 www.hlrengineering.com

164.000959
 ILLINOIS PROFESSIONAL DESIGN FIRM LS / PE / SE CORPORATION

PROJECT NUMBER: 09.0135.130 DATE: 02/08/10

SHEET NO. 7
9 SHEETS

T.R.	SECTION	COUNTY	TOTAL SHEETS	SHEET NO.
231	09-23113-00-BR	SHELBY	20	18
TOWER HILL ROAD DISTRICT		CONTRACT NO. 95631		
FED. ROAD DIST. NO.		ILLINOIS FED. AID PROJECT BROS-173(171)		