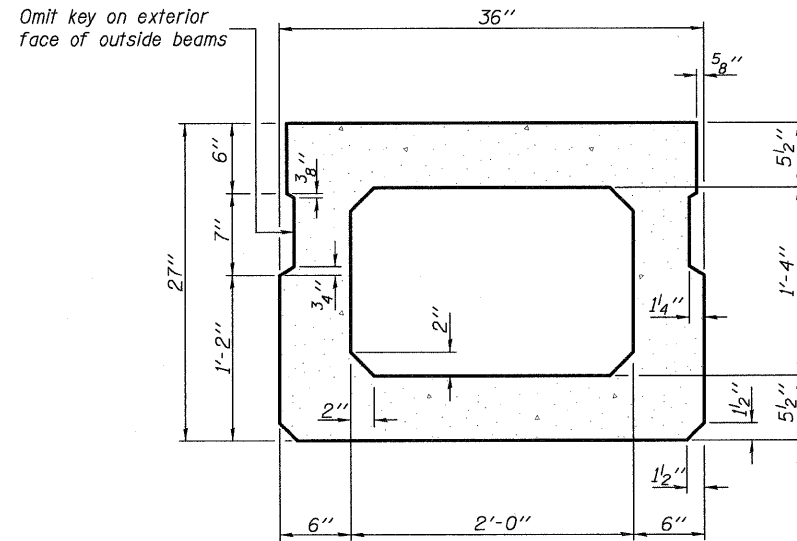
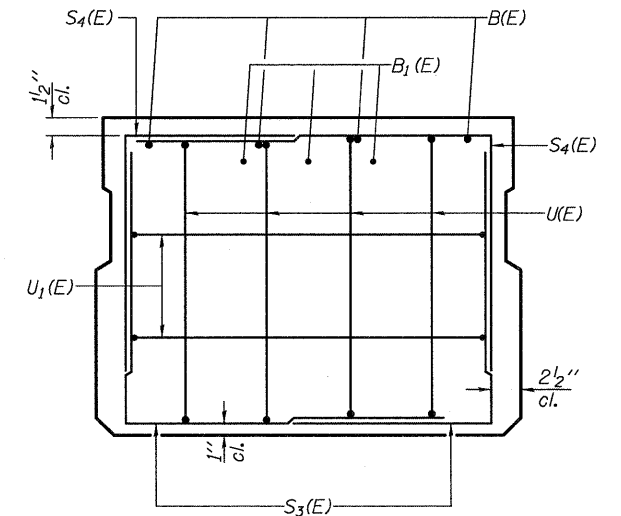


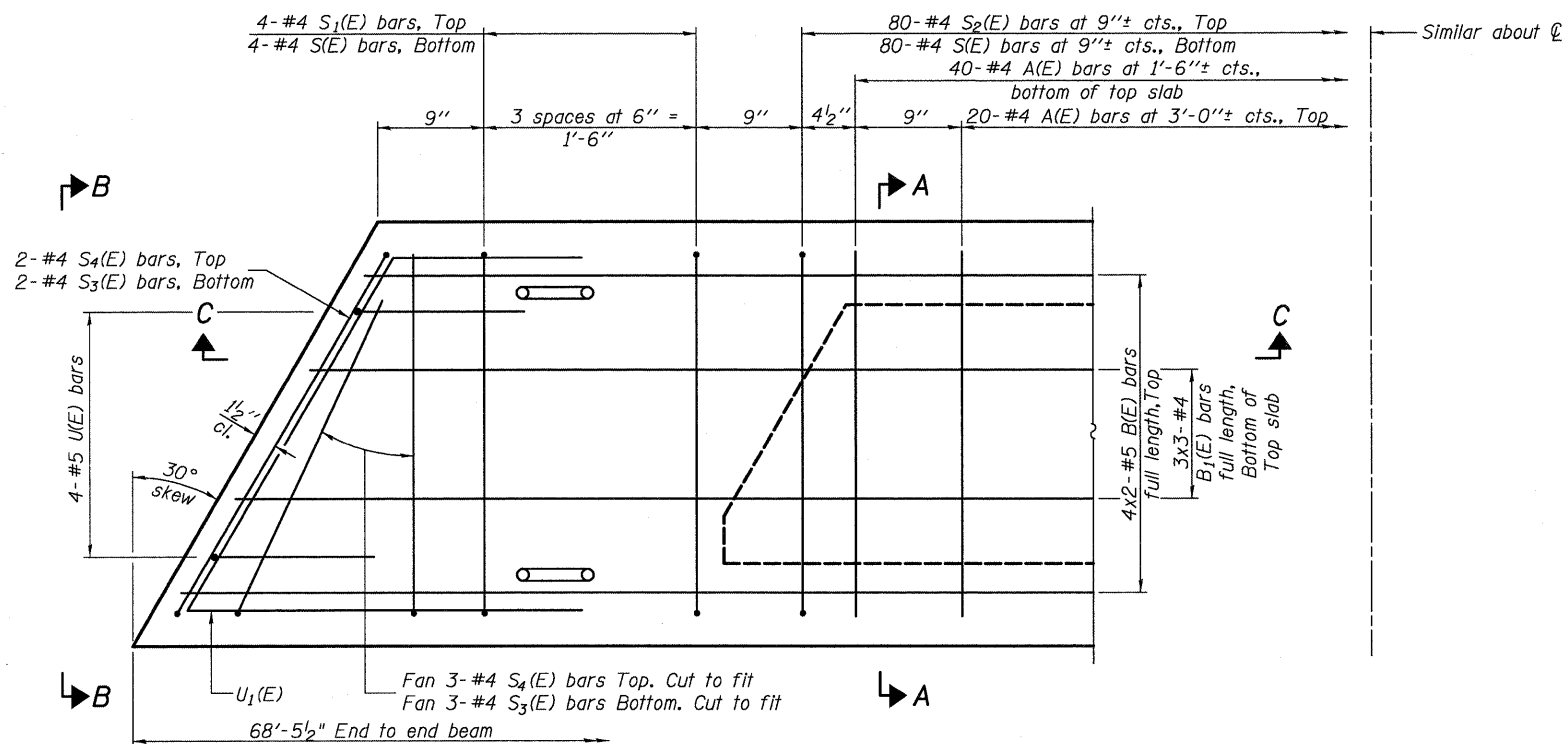
SECTION C-C



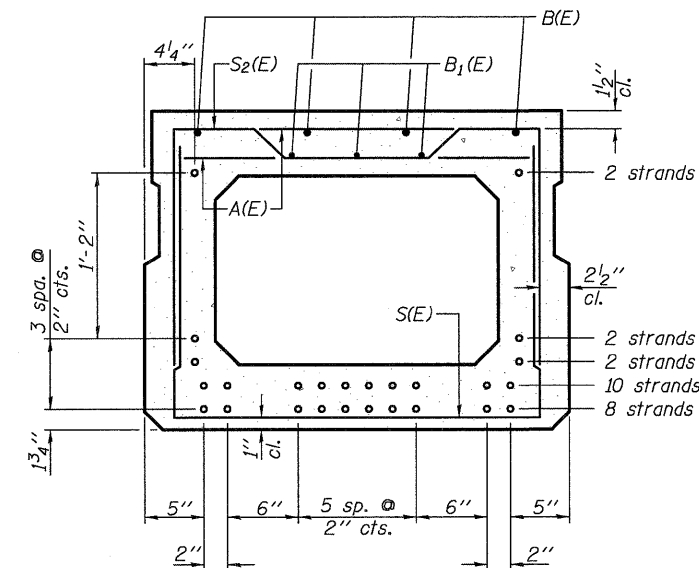
SECTION A-A
(Showing dimensions)



VIEW B-B



PLAN VIEW



SECTION A-A
(Showing reinforcement and permissible strand locations)
24 - 1/2" Φ Strands
(8 Strands 1 3/4" up, 10 Strands 3 3/4" up, 2 Strands 5 3/4" up, 2 Strands 7 3/4" up, 2 Strands 21 3/4" up)

BAR LIST
ONE BEAM ONLY
(For information only)

Bar	No.	Size	Length	Shape
A(E)	60	#4	2'-7"	—
B(E)	8	#5	35'-3"	—
B1(E)	9	#4	23'-11"	—
S(E)	88	#4	6'-5"	U
S1(E)	8	#4	5'-11"	U
S2(E)	80	#4	6'-2"	U
S3(E)	10	#4	4'-11"	U
S4(E)	10	#4	4'-8"	U
U(E)	8	#5	4'-6"	U
U1(E)	4	#4	6'-10"	U

Note: See sheet 4 of 8 for additional details and Bill of Material.

Note: Place the number of strands specified in each row symmetrically about the centerline of beam in the permissible strand locations shown.

Note: Spacing of S(E) and S2(E) bars may be adjusted up to 4" in the immediate area of the transverse tie diaphragms to miss the block outs for the transverse ties.

DESIGNED	B.I.B.
CHECKED	L.D.G.
DRAWN	K.H.L.
CHECKED	B.G.H.

PD-2736-L

10-1-08

27" X 36" PPC DECK BEAM

SHEET NO. 3	T.R.	SECTION	COUNTY	TOTAL SHEETS	SHEET NO.
	165	96-14115-00-BR	WASHINGTON	15	7
8 SHEETS	S.N. 095-3251		CONTRACT NO. 97435		
	FED. ROAD DIST. NO.	ILLINOIS	FED. AID PROJECT		