

MAINLINE SURFACING SUMMARY

LOCATION STATION - STATION	HOT-MIX ASPHALT SURFACE COURSE, MIX "D" N70	LEVELING BINDER MIX "C" N70	HOT-MIX ASPHALT SHOULDERS MIX "C" N70	HOT-MIX ASPHALT SURFACE REMOVAL, 2"	HOT-MIX ASPHALT SURFACE REMOVAL - BUTT JOINT	AGGREGATE SHOULDERS	BITUMINOUS MATERIALS (PRIME COAT)	AGGREGATE (PRIME COAT)
UNIT	TON	TON	TON	SQ YD	SQ YD	TON	GAL	TON
STA. 103+76 TO STA. 138+25	590	354	--	--	98	350	422	12.6
STA. 138+25 TO STA. 153+70	264	158	58	--	196	80	223	5.7
STA. 153+70 TO STA. 161+45.5	133	80	--	1896	--	--	95	2.9
STA. 161+45.5 TO STA. 163+32.3				BRIDGE	OMISSION			
STA. 163+32.3 TO STA. 211+99	833	500	--	--	391	490	595	17.8
PROJECT TOTALS	1820	1092	58	1896	685	920	1335	39.0

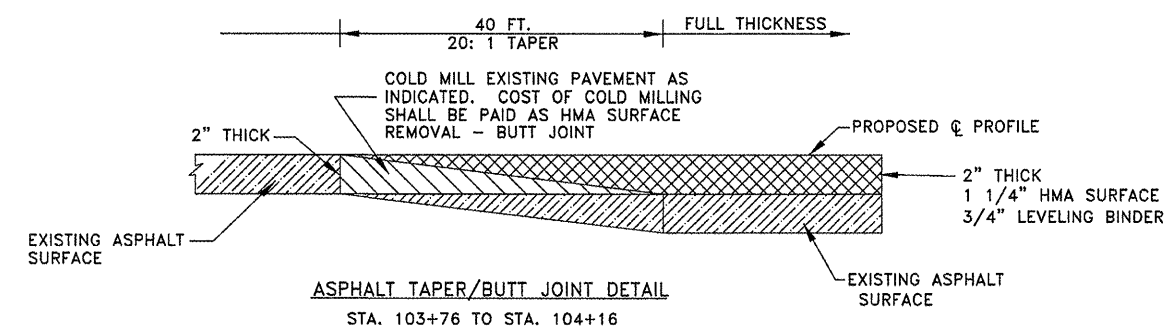
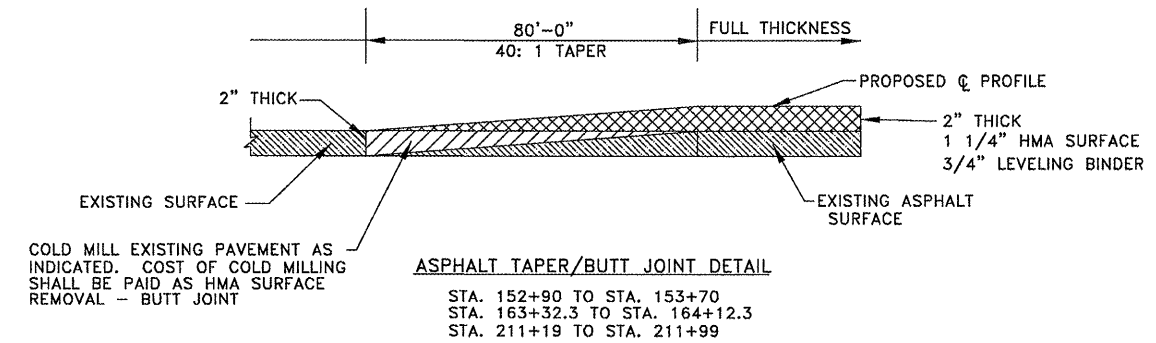
HOT-MIX ASPHALT MIXTURE REQUIREMENTS

LOCATION(S)	ALL			
MIXTURE USE(S)	SURFACE	LEVELING BINDER	INCIDENTAL	SHOULDERS
AC/PG	PG 64-22	PG 64-22	PG 64-22	PG 64-22
RAP % (MAX)	10%	15%	15%	15%
DESIGN AIR VOIDS	4.0% @ Ndes=70	4.0% @ Ndes=70	4.0% @ Ndes=50	4.0% @ Ndes=70
MIXTURE COMPOSITION (GRADATION MIXTURE)	9.5			
FRICTION AGGREGATE	MIXTURE D	MIXTURE C	MIXTURE C	MIXTURE C

THERMOPLASTIC PAVEMENT MARKINGS

STATION	SKIP-DASH YELLOW 4" (FT)	SOLID YELLOW 4" (FT)		SOLID WHITE 4" (FT)	
		NO PASSING ZONE		EDGELINES	
		LT	RT	LT	RT
103+76 TO 108+70	124	--	494	494	494
108+70 TO 112+00	82	--	--	260	330
112+00 TO 118+61	165	661	--	464	429
118+61 TO 126+00	185	--	--	669	655
126+00 TO 133+70	192	--	770	770	770
133+70 TO 136+69	--	299	299	209	299
136+69 TO 144+30	190	761	--	761	761
144+30 TO 161+45.5	429	--	--	1650	1580
161+45.5 TO 163+32.3	--	--	--	--	--
163+32.3 TO 169+86	163	--	--	654	654
169+86 TO 177+61	194	--	775	775	700
177+61 TO 182+36	--	475	475	475	475
182+36 TO 193+61	281	1125	--	1125	1125
193+61 TO 211+99	460	--	--	1838	1838
SUBTOTALS	2465	3321	2813	10144	10110
TOTALS		28853			

PAVEMENT MARKINGS SHALL MATCH LOCATIONS OF EXISTING PAVEMENT MARKINGS OR LOCATIONS SPECIFIED BY THE ENGINEER.



LAKEVIEW DRIVE RESURFACING
DETAILS AND SCHEDULES
SEC 09-00034-01-RS
CITY OF WATERLOO
MONROE COUNTY, ILLINOIS