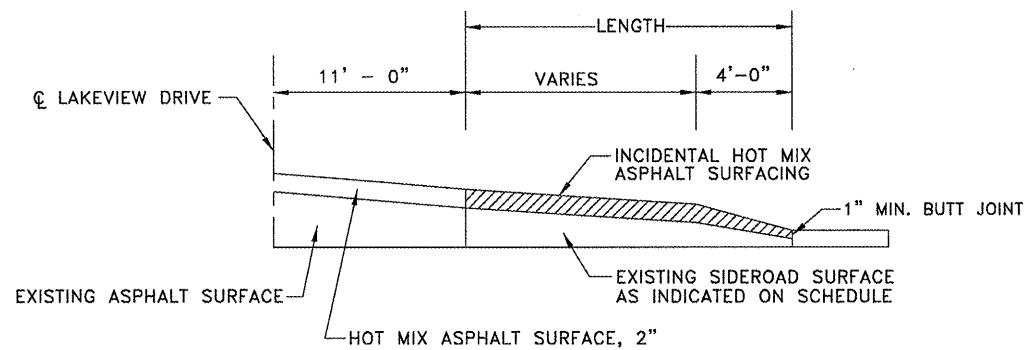


ROUTE NO	SECTION	COUNTY	TOTAL SHEETS	SHEET NO.
FAU 9314 C.H. 7	09-00034 -01-RS	MONROE	8	8

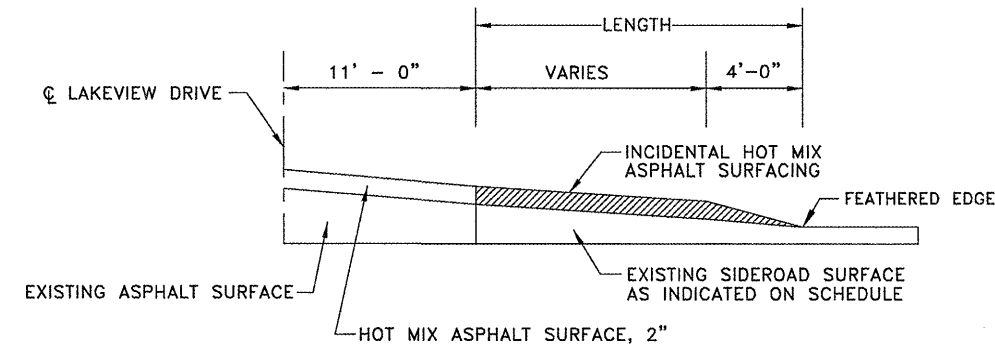
FEDERAL AID PROJECT  
CONTRACT 97443

SIDEROAD SCHEDULE

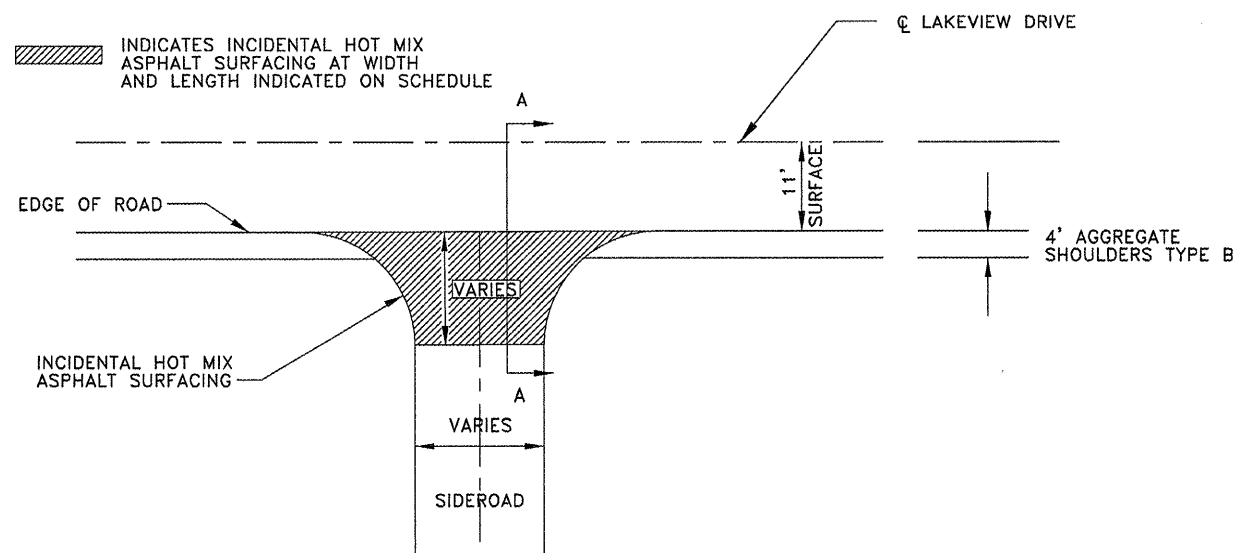
LOCATION STATION	SIDE LT/RT	EXISTING SURFACE	LENGTH (FT.)	WIDTH (FT.)	INCIDENTAL HOT MIX ASPHALT SURFACING (TONS)	BIT. MAT'L (PRIME COAT) (GALLON)	AGGREGATE (PRIME COAT) (TON)	HMA SURFACE REMOVAL-BUTT JOINT (SQ. YD.)	PCC SURFACE REMOVAL-BUTT JOINT (SQ. YD.)	ROAD NAME
110+53.82	LEFT	OIL & CHIP	4.0	18.0-70.0	2.6	--	--	--	--	MATHEWS LANE
112+09.02	LEFT	ASPHALT	10.0	28.0-63.0	4.5	2.6	0.08	17.8	--	PAUL DRIVE
112+10.05	RIGHT	CONCRETE	12.0	30.0-80.0	6.7	3.8	0.10	--	26.0	PAUL DRIVE
114+92.42	RIGHT	CONCRETE	8.0	30.0-80.0	4.8	2.4	0.08	--	21.0	MARY DRIVE
114+94.67	LEFT	ASPHALT	5.0	28.0-64.0	2.5	1.3	0.05	9.3	--	MARY DRIVE
118+07.28	RIGHT	CONCRETE	9.0	28.0-72.0	5.2	2.6	0.08	--	51.0	HARTMAN DRIVE
118+08.61	LEFT	ASPHALT	10.0	28.0-70.0	5.2	2.8	0.08	46.8	--	HARTMAN DRIVE
121+47.22	LEFT	ASPHALT	10.0	28.0-70.0	5.2	2.8	0.08	23.4	--	GLENDELL DRIVE
121+47.31	RIGHT	CONCRETE	2.0	28.0-84.0	1.6	0.6	0.02	18.7	--	GLENDELL DRIVE
134+43.39	LEFT	OIL & CHIP	60.0	18.0-90.0	65.0	--	--	--	--	SOUTH LIBRARY ST.
154+09.23	RIGHT	CONCRETE	0.0	30.0-81.0	--	--	--	--	--	STOCKEL LANE
159+25.49	RIGHT	OIL & CHIP	0.0	15.0-54.0	--	--	--	--	--	COUNTRY LANE
160+87.61	LEFT	OIL & CHIP	0.0	22.0-66.0	--	--	--	--	--	WATERWORKS ROAD
177+90.21	RIGHT	OIL & CHIP	21.0	22.0-75.0	12.8	--	--	--	--	FAWN RUN
TOTAL					116.1	18.9	0.57	116.0	98.0	



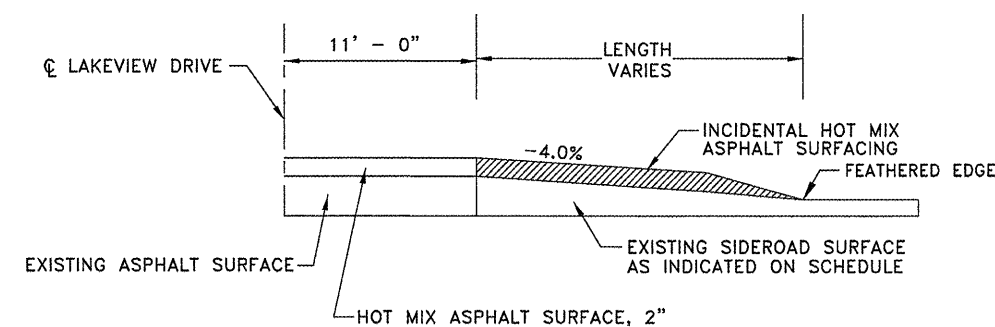
SECTION A-A  
ASPHALT/CONCRETE SURFACE



SECTION A-A  
OIL & CHIP SURFACE



TYPICAL SIDEROAD DETAIL



SECTION A-A  
SOUTH LIBRARY/FAWN RUN

LAKEVIEW DRIVE RESURFACING  
DETAILS & SCHEDULES  
SEC 09-00034-01-RS  
CITY OF WATERLOO  
MONROE COUNTY, ILLINOIS