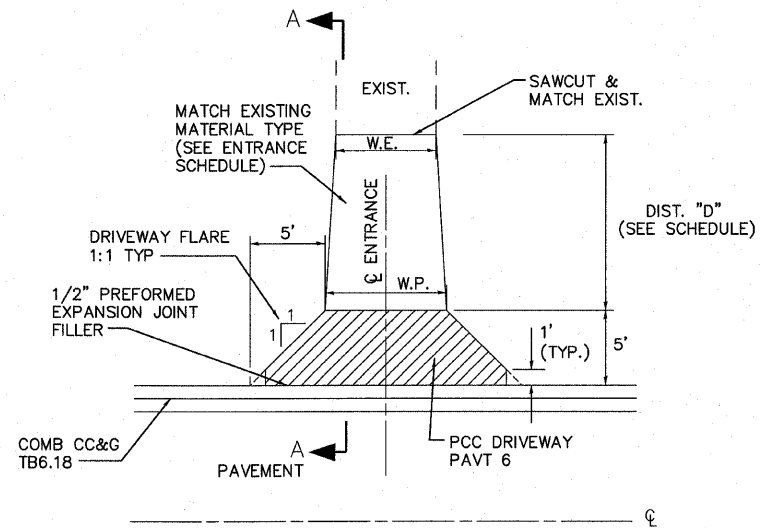
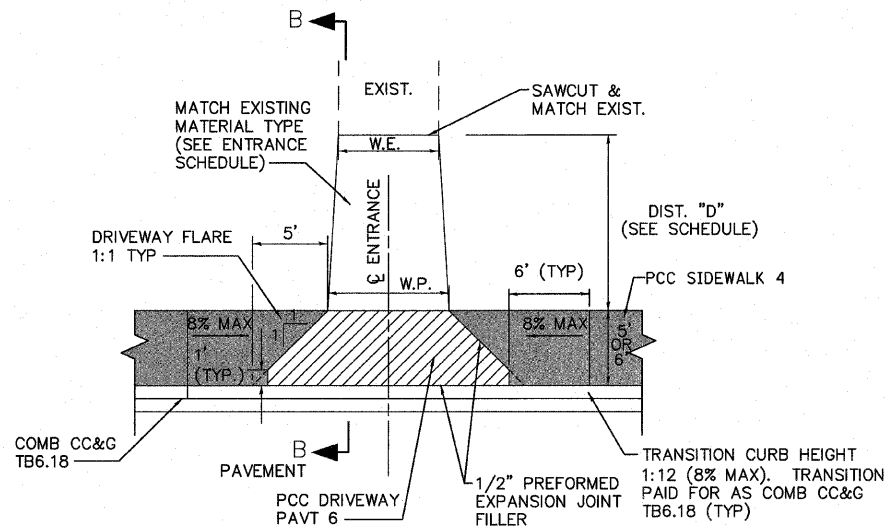


F.A.U. RTE.	SECTION	COUNTY	TOTAL SHEETS	SHEET NO.
9307	06-00042-02-PV	MONROE	32	24
CONSTRUCTION DETAILS				
CONTRACT NO. 97444				
FEDERAL AID PROJECT				

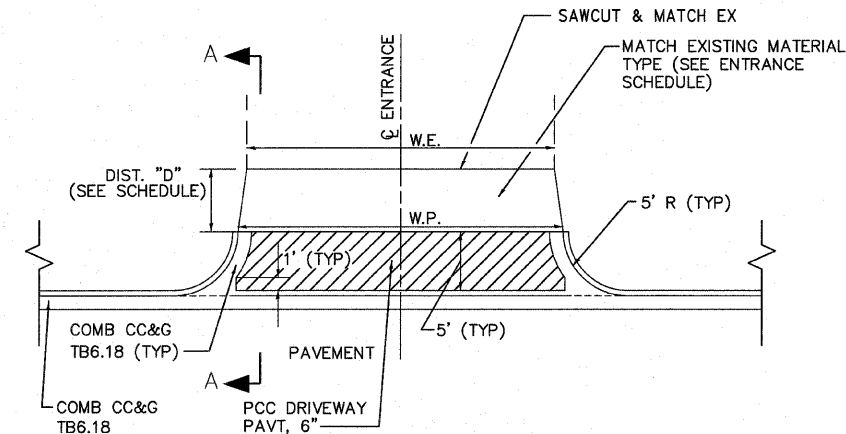
LEGEND
W.E. - EXISTING WIDTH
W.P. - PROPOSED WIDTH



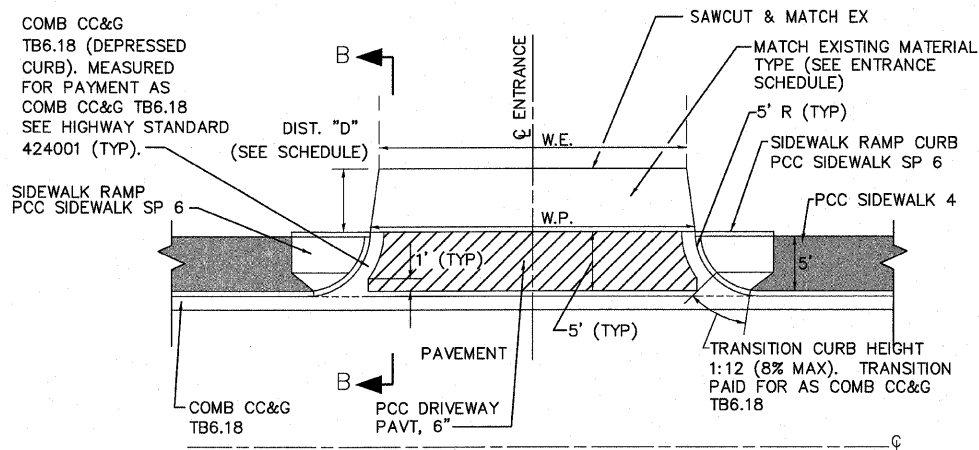
TYPICAL PRIVATE ENTRANCE DETAIL
WITHOUT SIDEWALK
(NOT TO SCALE)



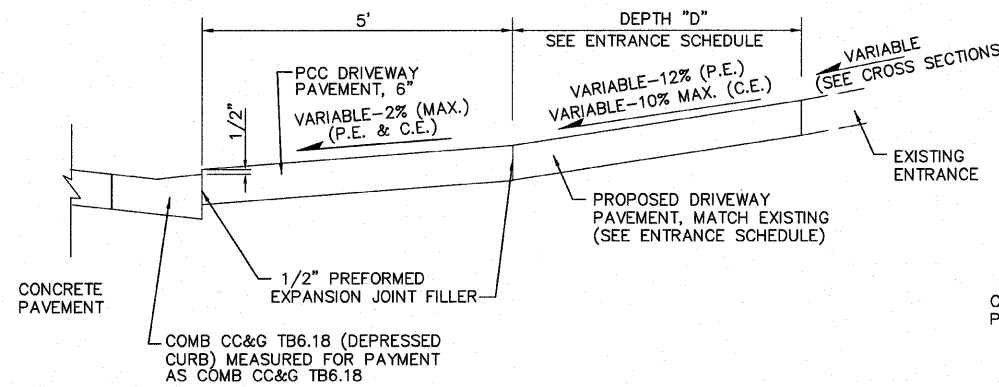
TYPICAL PRIVATE ENTRANCE DETAIL
WITH SIDEWALK
(NOT TO SCALE)



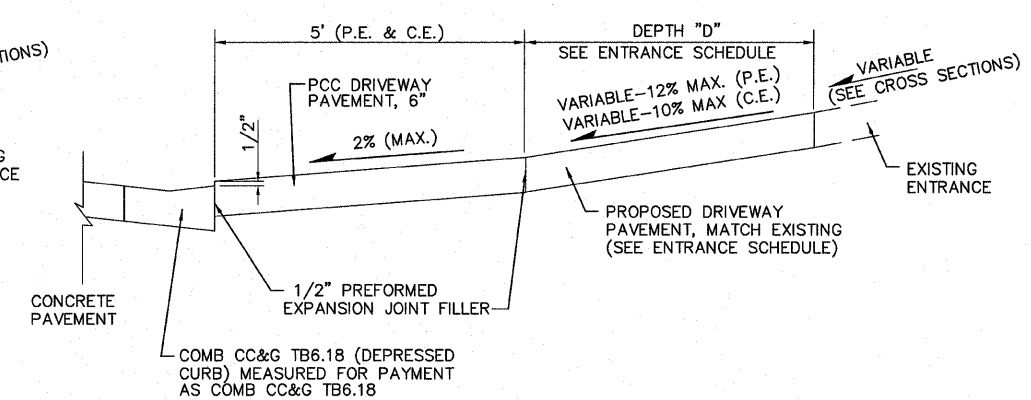
TYPICAL COMMERCIAL ENTRANCE DETAIL
WITHOUT SIDEWALK
(NOT TO SCALE)



TYPICAL COMMERCIAL ENTRANCE DETAIL
WITH SIDEWALK
(NOT TO SCALE)



SECTION A-A
(NOT TO SCALE)



SECTION B-B
(NOT TO SCALE)

PLOT DATE = 4/21/2010
FILE NAME = H:\V\9902\Microsection\5664dfl\Intersection_Kunz.dgn
USER NAME = peng