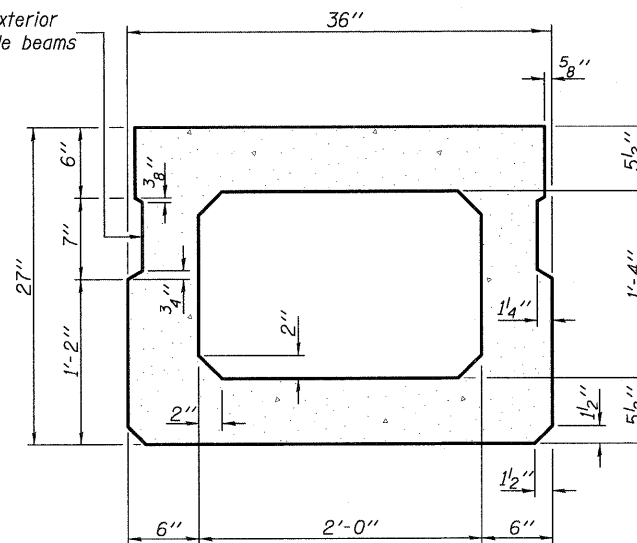
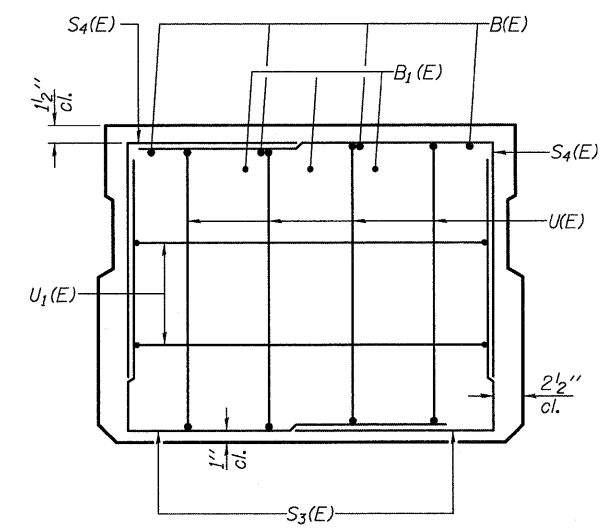


SECTION C-C

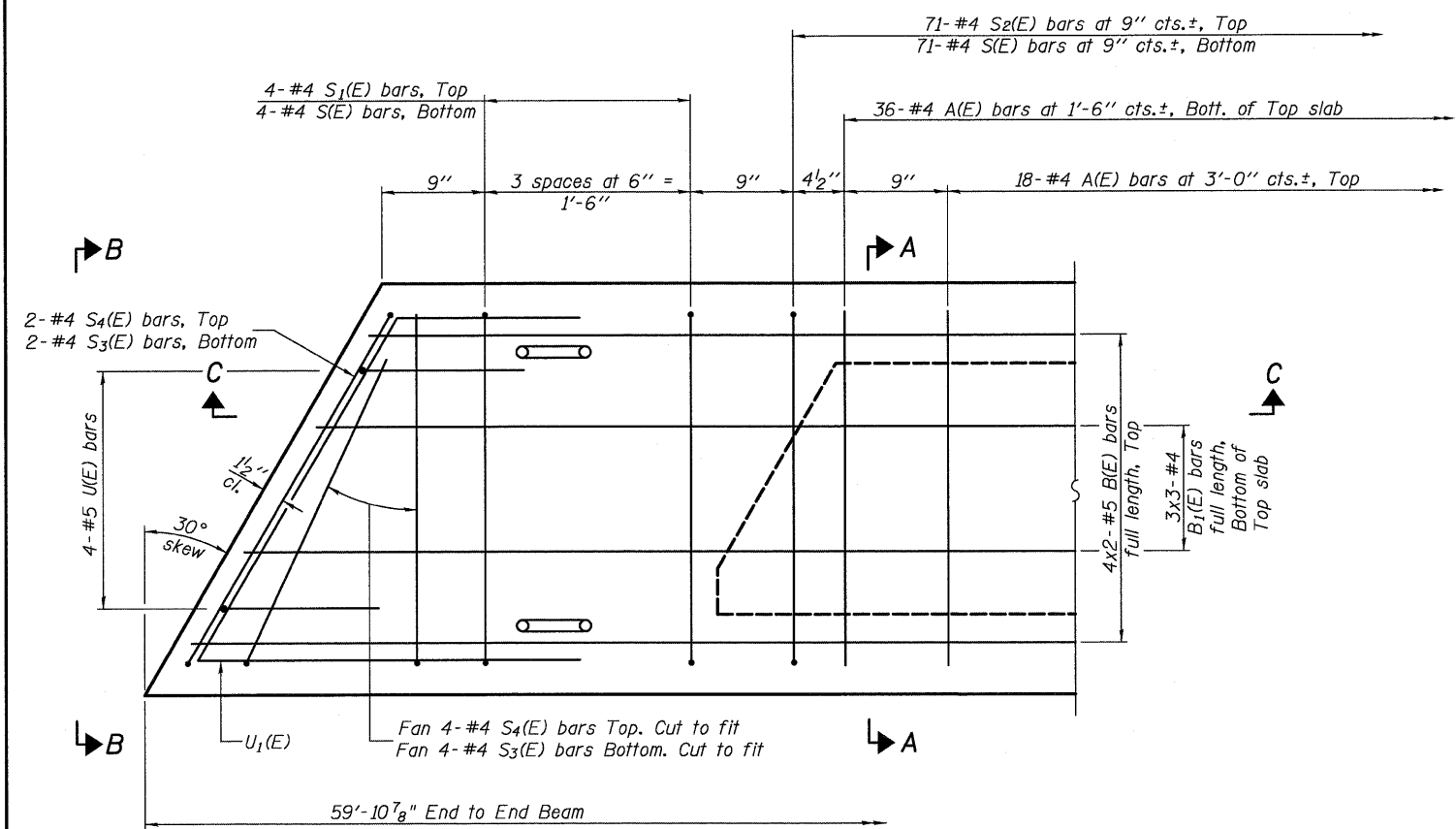
Omit key on exterior face of outside beams



SECTION A-A  
(Showing dimensions)

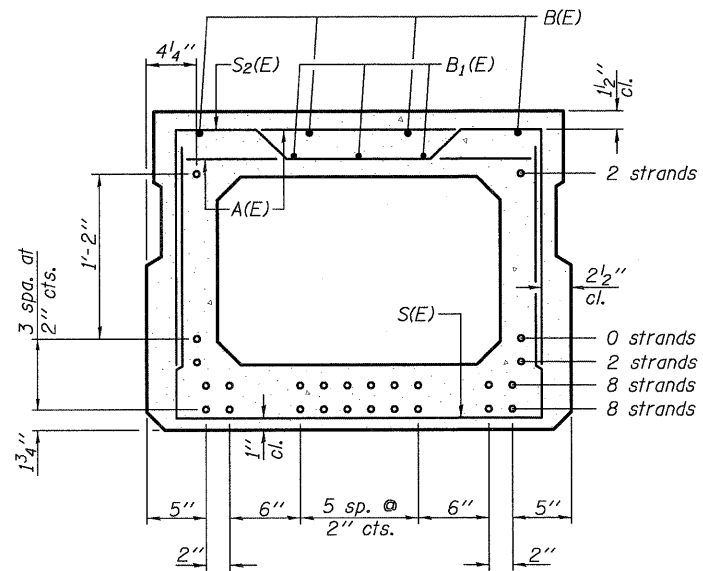


VIEW B-B



PLAN VIEW

Similar about C



SECTION A-A  
(Showing reinforcement and permissible strand locations)  
20-1/2" Strands  
(8 Strands 1 3/4" up, 8 Strands 3 3/4" up, 2 Strands 5 3/4" up, 2 Strands 21 3/4" up)  
Note: Place the number of strands specified in each row symmetrically about the centerline of beam in the permissible strand locations shown.

**BAR LIST**  
**ONE BEAM ONLY**  
**SPAN 2**

(For information only)

Bar	No.	Size	Length	Shape
A(E)	54	#4	2'-7"	—
B(E)	8	#5	31'-5"	—
B1(E)	9	#4	21'-7"	—
S(E)	79	#4	6'-5"	—
S1(E)	8	#4	5'-11"	—
S2(E)	71	#4	6'-2"	—
S3(E)	12	#4	4'-11"	—
S4(E)	12	#4	4'-8"	—
U(E)	8	#5	4'-6"	—
U1(E)	4	#4	6'-10"	—

Note:  
See sheet 7 of 14 for additional details and Bill of Material.

DESIGNED	K.M.M.
CHECKED	L.D.G.
DRAWN	K.H.L.
CHECKED	B.G.H.

PD-2736-L 10-1-08

Note: Spacing of S(E) and S2(E) bars may be adjusted up to 4" in the immediate area of the transverse tie diaphragms to miss the block outs for the transverse ties.

**27" X 36" PPC DECK BEAM**  
**SPAN 2**

SHEET NO. 6	F.A.S.	SECTION	COUNTY	TOTAL SHEETS	SHEET NO.
	783	02-00074-00-BR	BOND	25	13
14 SHEETS	S.N. 003-3050		CONTRACT NO. 97446		
	FED. ROAD DIST. NO.	ILLINOIS	FED. AID PROJECT		