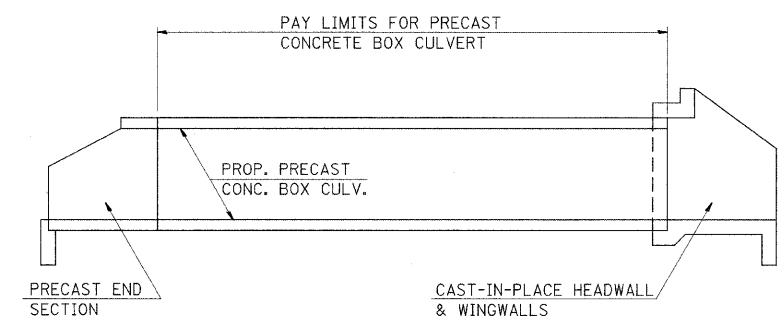
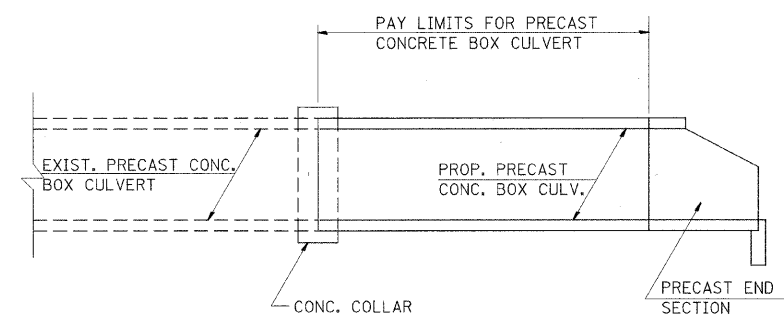
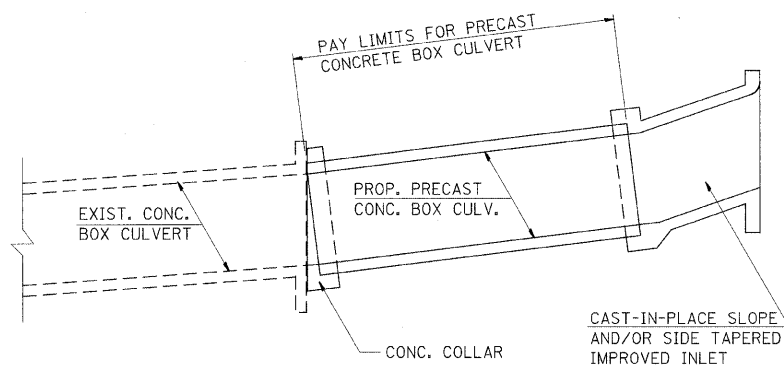
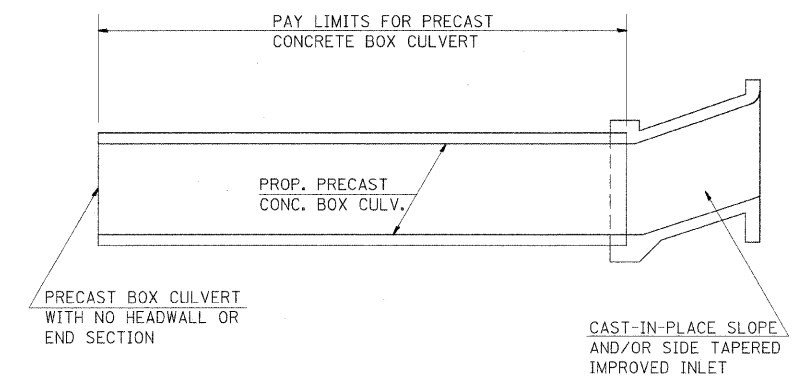
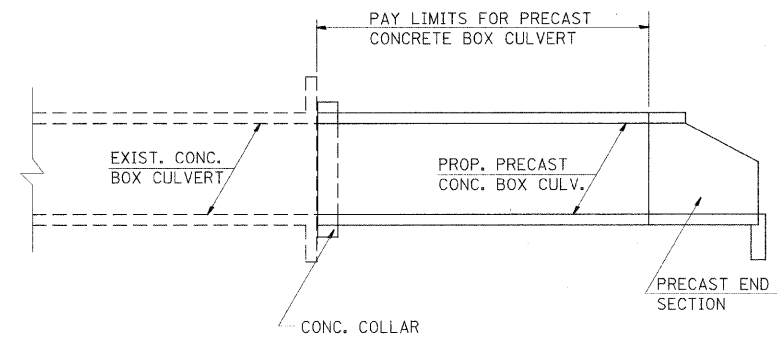
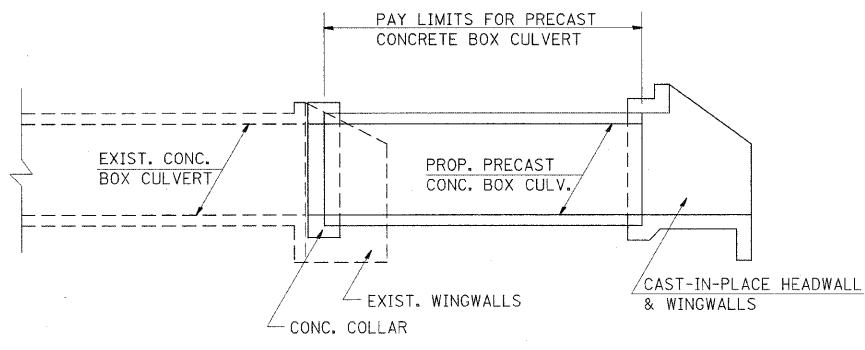


F.A.P. RTE	SECTION	COUNTY	TOTAL SHEETS	SHEET NO
*	**	***	304	163
STA.		TO STA.		
FED. ROAD DIST. NO. -		ILLINOIS	FED. AID PROJECT	
* FAU 9481, FAS 2887 (IL 37)				
** (12,12X),RS-3;12B-1,12B1-1				
*** FRANKLIN AND WILLIAMSON				

PAYMENT LIMITS FOR PRECAST CONCRETE BOX CULVERTS



CULVERT EXTENSIONS

NEW CULVERTS

NOTES

WHEN PRECAST CONCRETE BOX CULVERTS ARE SPECIFIED ON THE PLANS, THEY WILL BE MEASURED BY THE FOOT. THE OVERALL LENGTH SHALL BE MEASURED OUT-TO-OUT OF THE PRECAST SEGMENTS ALONG THE CENTERLINE OF THE CULVERT. THE BOX CULVERT END SECTIONS WILL BE MEASURED AS EACH. CAST-IN-PLACE COLLARS WILL NOT BE PAID FOR SEPARATELY, BUT SHALL BE INCLUDED IN THE COST OF THE PRECAST CONCRETE BOX CULVERT. SEE ARTICLE 540.08 OF THE STANDARD SPECIFICATIONS ADOPTED JANUARY 1, 2007.

THE TERM "BOX CULVERT END SECTION" AS USED HEREIN SHALL BE DEFINED AS EITHER PRECAST END SECTIONS OR CAST-IN-PLACE HEADWALLS AND WINGWALLS CONSTRUCTED AS SHOWN IN THE PLANS.

THROUGHOUT THESE PLANS, QUANTITIES SHOWN FOR CLASS SI CONCRETE AND REBARS TO BE USED IN COLLARS, HEADWALLS, WING WALLS, OR IMPROVED INLETS FOR PRECAST CONCRETE BOX CULVERTS ARE PROVIDED FOR INFORMATION AND BIDDING ONLY, AND SHALL NOT BE PAID FOR SEPARATELY.

REVISIONS

DRAWN	8-14-90
REVISED	7-19-91
REVISED	3-11-92
REVISED	12-9-92
REVISED	8-16-94

STD 9-81

REVISIONS	
NAME	DATE

ILLINOIS DEPARTMENT OF TRANSPORTATION
DETAIL:
PAYMENT LIMITS FOR PRECAST CONCRETE BOX CULVERTS

SCALE: VERT. NO SCALE
 HORIZ. NO SCALE

DATE: _____ DRAWN BY: _____
 CHECKED BY: _____

PLOT DATE = 12/7/2009
 FILE NAME = c:\pwworkspace\pwworkspace\121212.dwg
 USER NAME = hudson