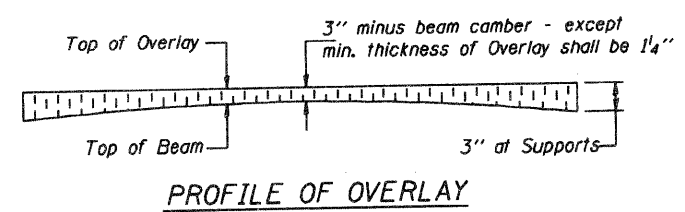
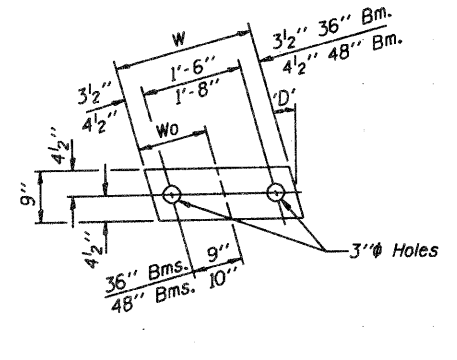
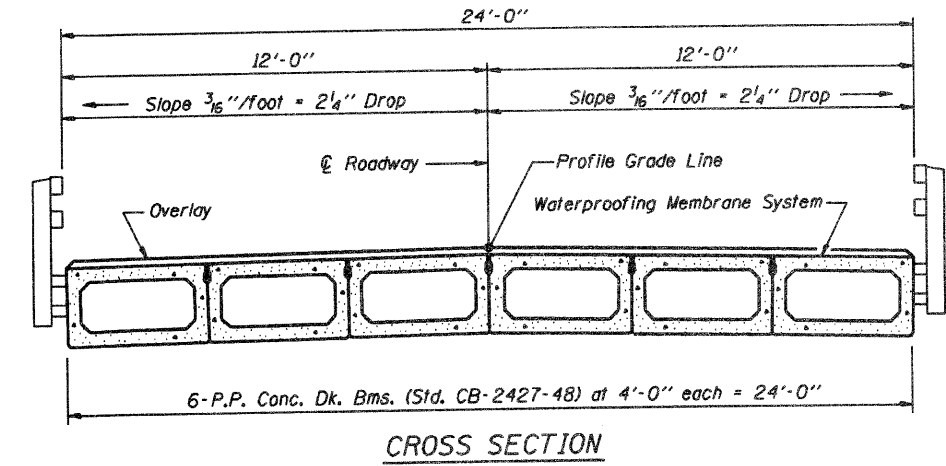
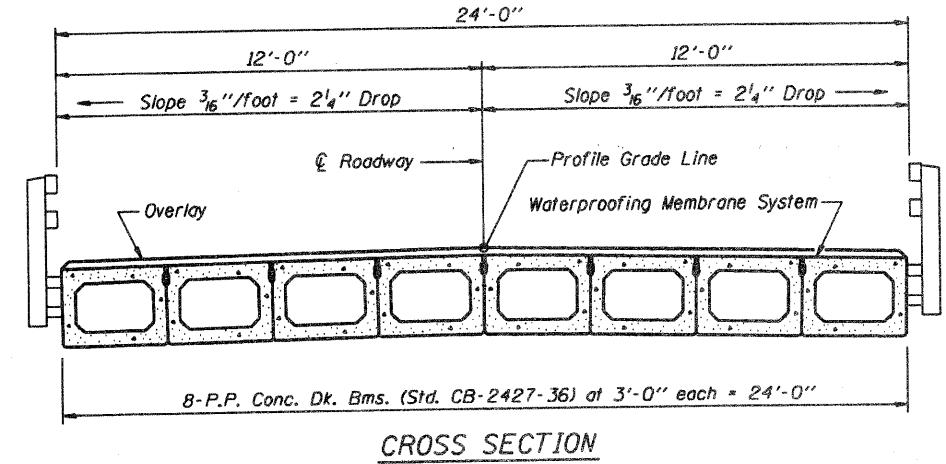
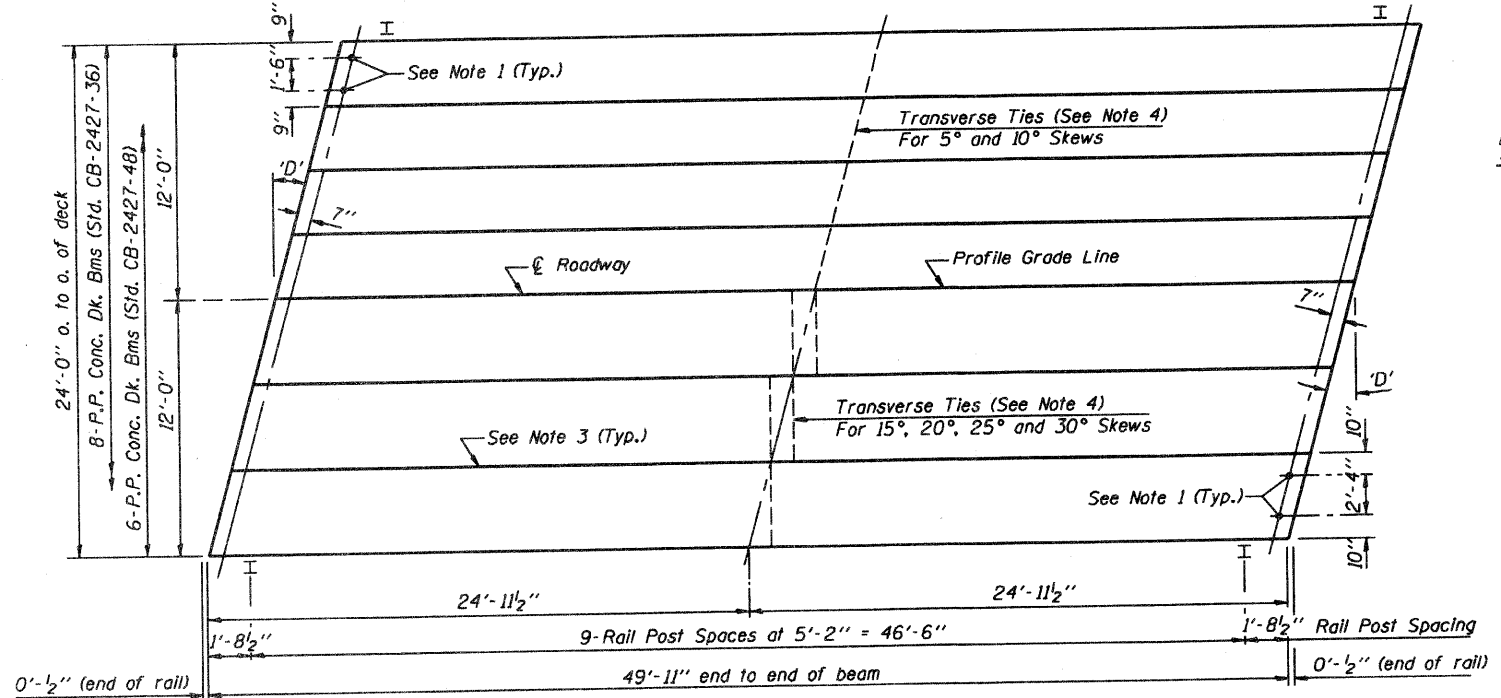


Beam	W	Wo
36"	2'-1"	1'-0 1/2"
48"	2'-5"	1'-2 1/2"

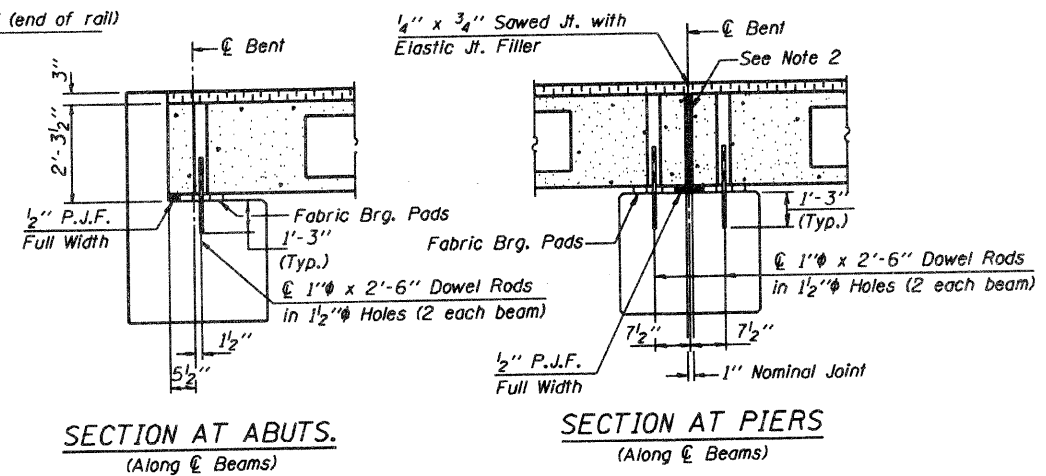


DIMENSIONS 'A' AND 'B'

'D'	5°	10°	15°	20°	25°	30°
A	1 1/2"	1 3/8"	1 3/4"	1 7/8"	2 1/8"	2 5/8"
B	7 1/2"	7 5/8"	7 3/4"	8"	8 1/4"	8 5/8"



- NOTES**
- After beams have been erected, holes shall be drilled into substructure and anchor dowels placed. Dowel holes shall be filled with non-shrink grout to top of beam and allowed to cure min. 24 hrs. prior to grouting the shear keys.
 - Nominal 1" joint at $\text{\textcircled{C}}$ Pier shall be filled with non-shrink grout.
 - Longitudinal keys shall be grouted.
 - The 1" ϕ rods in the transverse tie assembly shall be tightened to a snug fit and the threads set. Pockets that receive transverse tie bar outside shall be filled with grout after transverse tie assembly is in place.



QUANTITIES FOR ONE SPAN

P.P. Conc. Dk. Bm. 27" Dp.	1200 Sq. Ft.
Steel Railing	100 Ft.
Waterproofing Membrane System	133.3 Sq. Yds.
Portland Cement Mortar	350 Ft. 36"
Fairing Course	250 Ft. 48"

Note: Quantity of overlay for one span = 18.2 Tons

P.P.C. DECK BEAM SUPERSTRUCTURE

24' RDWY.	27" BMS.	50' SPAN	LEFT
STANDARD CS-2427-50L			