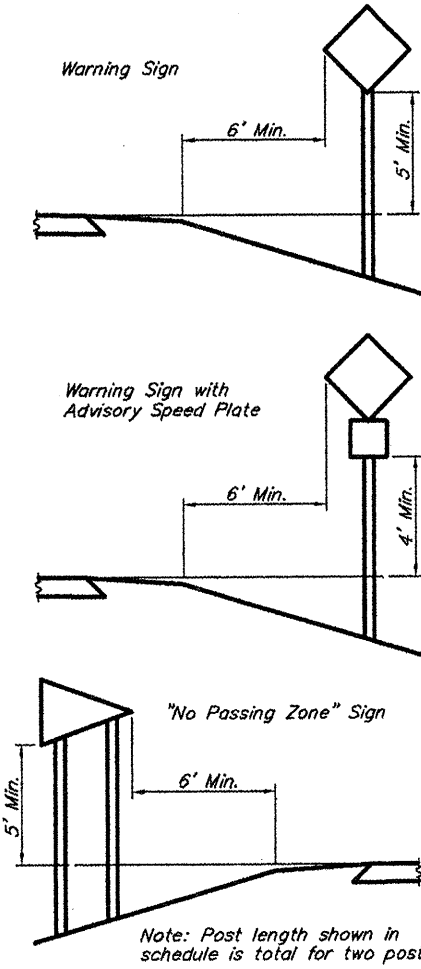


ROUTE	SECTION	COUNTY	TOTAL SHEETS	SHEET NO.
FAS 924	09-00062-00-RS	JOHNSON	10	10
PROJECT NO. ARA-RS-924 (124)			CONTRACT NO. 99372	

SCHEDULE OF SIGNS					
Location	Name	Signs		Post Length	
		No.	Sq. Ft.		
Sta. 4+00 Lt.	CURVE	W1-2R	6.25	16.5	
	ADVISORY SPEED	W13-1(30)	2.25	-	
Sta. 58+00 Rt.	CURVE	W1-2R	6.25	16.5	
	ADVISORY SPEED	W13-1(35)	2.25	-	
Sta. 67+75 Lt.	CURVE	W1-2L	6.25	16.5	
	ADVISORY SPEED	W13-1(35)	2.25	-	
Sta. 86+50 Rt.	TURN	W1-1L	6.25	16.5	
	ADVISORY SPEED	W13-1(15)	2.25	-	
Sta. 92+00 Rt.	ARROW	W1-6	8.00	28.0	
Sta. 92+05 Rt.	ARROW	W1-6	8.00	28.0	
Sta. 97+50 Lt.	TURN	W1-1R	6.25	16.5	
	ADVISORY SPEED	W13-1(15)	2.25	-	
TOTALS			58.50	138.5	

* See Schedule of "No Passing Zones" for sign locations. Each location will have one sign of 5.55 Sq. Ft. and two posts with a combined length of 32.0 Ft. Quantities shown are totals.



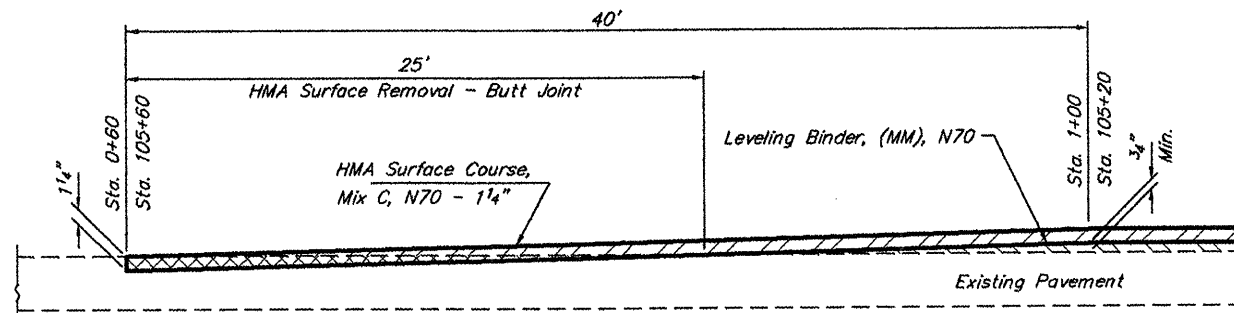
SCHEDULE OF PAVEMENT MARKING LINE 4" (LIN. FT.)			
Location	Centerline (Yellow Dashed)	Edge Line (White Solid)	No Passing (Yellow Solid)
Sta. 0+60 to Sta. 105+60	1,750	20,750	11,480

See schedule for limits of "No Passing Zones".
See Standard 78001 for typical pavement markings.

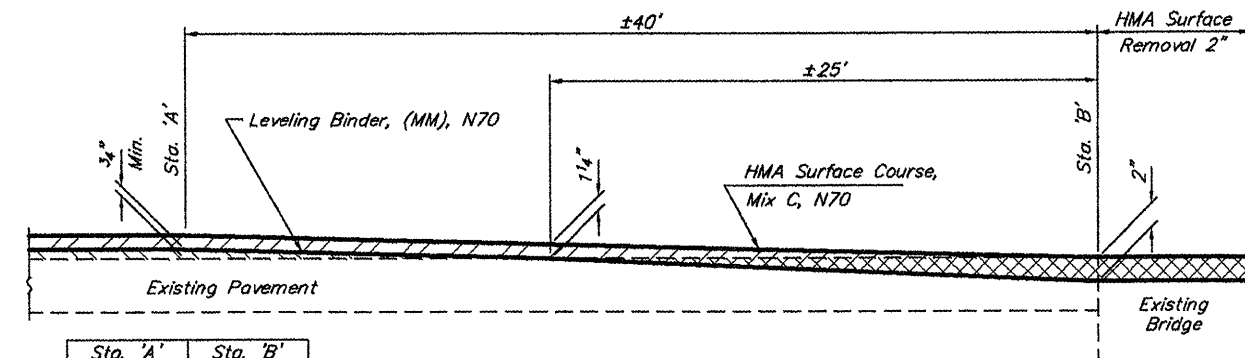
SCHEDULE OF "NO PASSING ZONES"			
EAST BOUND LANE		WEST BOUND LANE	
Location	Length	Location	Length
Sta. 0+60 to Sta. 16+25	1,565'	Sta. 0+60 to Sta. 34+75'	3,415'
Sta. 20+25' to Sta. 26+75	650'	Sta. 48+00 to Sta. 53+75'	575'
Sta. 40+00' to Sta. 45+75	575'	Sta. 63+00 to Sta. 82+00'	1,900'
Sta. 55+00' to Sta. 74+50	1,950'	Sta. 90+75 to Sta. 100+00'	925'
Sta. 82+75' to Sta. 92+00	925'		
TOTALS		5,665'	

¹ Denotes location of "No Passing Zone" signs to be erected in accordance with Sign Schedule & Mounting Detail.

SIGN SCHEDULE & MOUNTING DETAIL



BEGINNING & ENDING BUTT JOINT



Sta. 'A'	Sta. 'B'
65+98	66+38
67+48	67+08

BRIDGE PAVING DETAIL