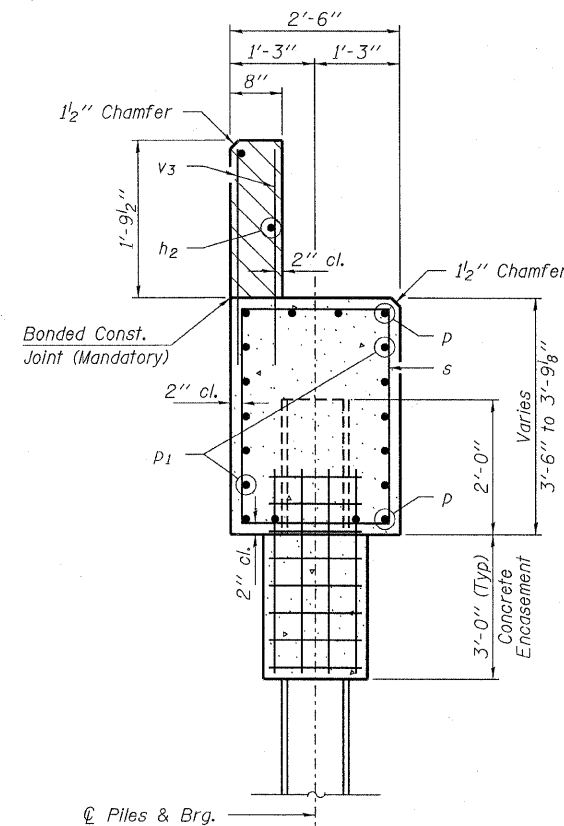
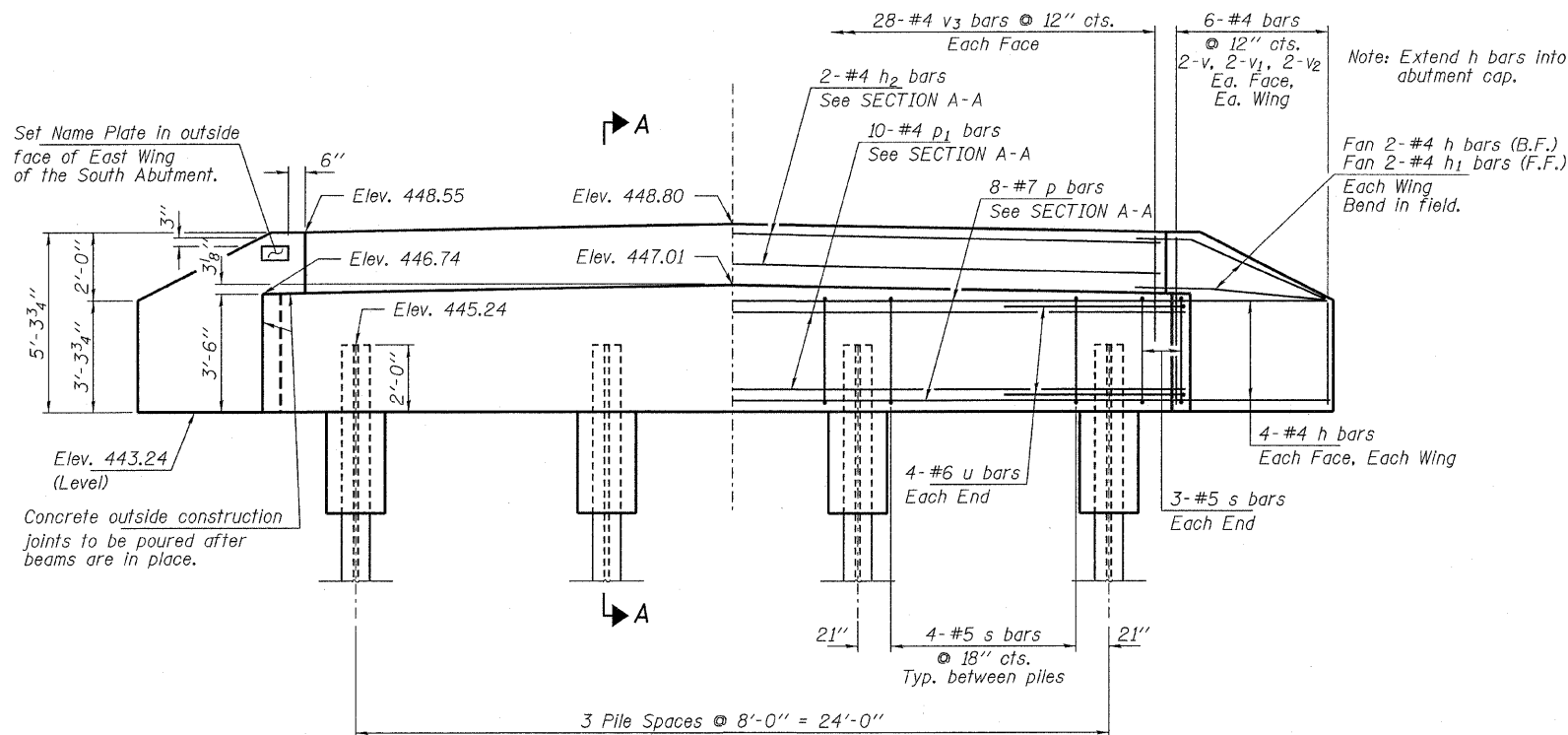
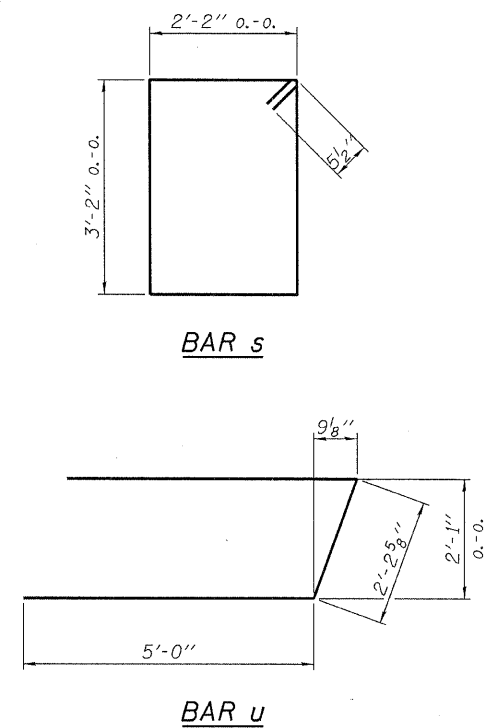


PLAN



SECTION A-A

Hatched area to be poured after beams are in place.



ELEVATION

PILE DATA

Type: Steel HP10x42
 No. Req'd. (2 Abuts.): 8
 Factored Resistance Available (Rf): 167 Kips/Pile
 Nominal Required Bearing (Rn): 335 Kips/Pile
 Est. Length: 35 Ft/Pile

Notes: The Steel H-Piles shall be according to AASHTO M270 Grade 50.

BILL OF MATERIAL - 2 ABUTS.

BAR	NO.	SIZE	LENGTH	SHAPE	
h	40	#4	6'-3"	—	
h1	8	#4	4'-9"	—	
h2	4	#4	26'-10"	—	
p	16	#7	26'-10"	—	
p1	20	#4	26'-10"	—	
s	36	#5	11'-7"	□	
u	16	#6	12'-3"	U	
v	16	#4	5'-0"	—	
v1	16	#4	4'-0"	—	
v2	16	#4	3'-0"	—	
v3	112	#4	2'-8"	—	
Concrete Structures				Cu. Yd.	23.6
Concrete Encasement				Cu. Yd.	2.8
Reinforcement Bars				Pound	2,560
Steel Piles HP10x42				Foot	280
Name Plates				Each	1

ABUTMENTS
 STRUCTURE NO. 033-3302

DESIGNED - V.J.H.
CHECKED - S.W.M.
DRAWN - D.T.M.
CHECKED - D.A.B.

HAMPTON, LENZINI AND RENWICK, INC.
 CIVIL ENGINEERS - STRUCTURAL ENGINEERS - LAND SURVEYORS
 3085 STEVENSON DRIVE, SUITE 201
 SPRINGFIELD, ILLINOIS 62703
 217.546.3400 www.hlrengineering.com

HLR
 184.000959
 ILLINOIS PROFESSIONAL DESIGN FIRM LS / PE / SE CORPORATION

PROJECT NUMBER: 09.0070.130 DATE: 12/17/09

SHEET NO. 6
 8 SHEETS

T.R.	SECTION	COUNTY	TOTAL SHEETS	SHEET NO.
52	06-04126-00-BR	HAMILTON	11	9
DAHLGREN ROAD DISTRICT		CONTRACT NO. 99416		
FED. ROAD DIST. NO.		ILLINOIS FED. AID PROJECT: BROS-065(048)		